

45

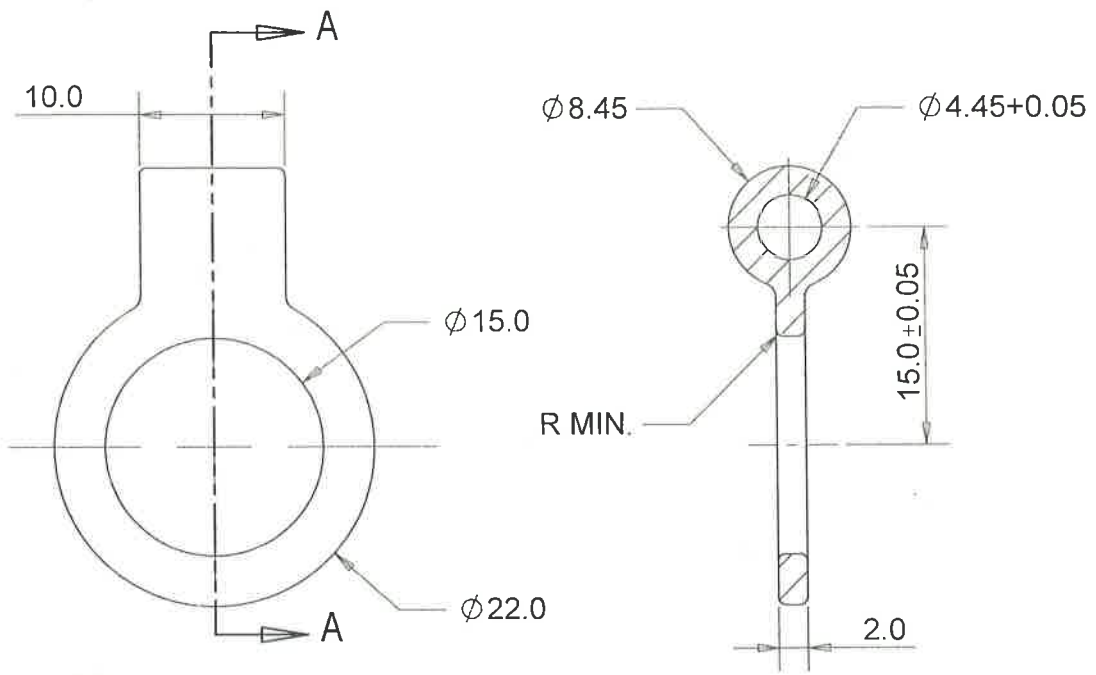
DRG No. 0 2 0 4 0 3 0 2 3 7 3 9 0 0 2 0 0 D B

IC SS S AA A C SST

GEN TOL FINE/MEDIUM/COARSE CLASS TO IS:2102

DRG CONVENTIONS CONFIRM TO INDIAN STDS. DIMN IN mm UNLESS OTHERWISE STATED

CONTROL COPY No. 2



SECTION A-A

CONTROL COPY No. 1

REMOVE ALL SHARP EDGES AND BURRS.

Received on 29/11/15

1	09/11/2015	M-29	DRG. REVISED	---	<i>M. Sulekh</i>	<i>[Signature]</i>
SR No	DATE	AUTHORITY	BRIEF RECORD	ZONE	CD	GO
DRN PRANAV	CHD	<i>M. Sulekh</i>	MATERIAL		SIGN	
APPD	DATE 09/11/15	<i>[Signature]</i> For Director	STEEL TO IS:5517-1993, Gd-40C8 (En-8)			
SEALED	DATE		PROTECTIVE FINISH	PHOSPHATED TO SPECN. IS:3618-1966, CLASS 'B'		
SCALE 2:1	EST MASS		TITLE	LOOP SLING FRONT		
DESIGN AUTHORITY						
ARDE	PUNE 411021					
DRG.No.	0 2 0 4	0 3	0 2	3 7	3 9	0 0 2 0 0 D B
	IC	SS	S	AA	A	C SST
PART No	DS CAT No			AHSP		

1 2 3 4