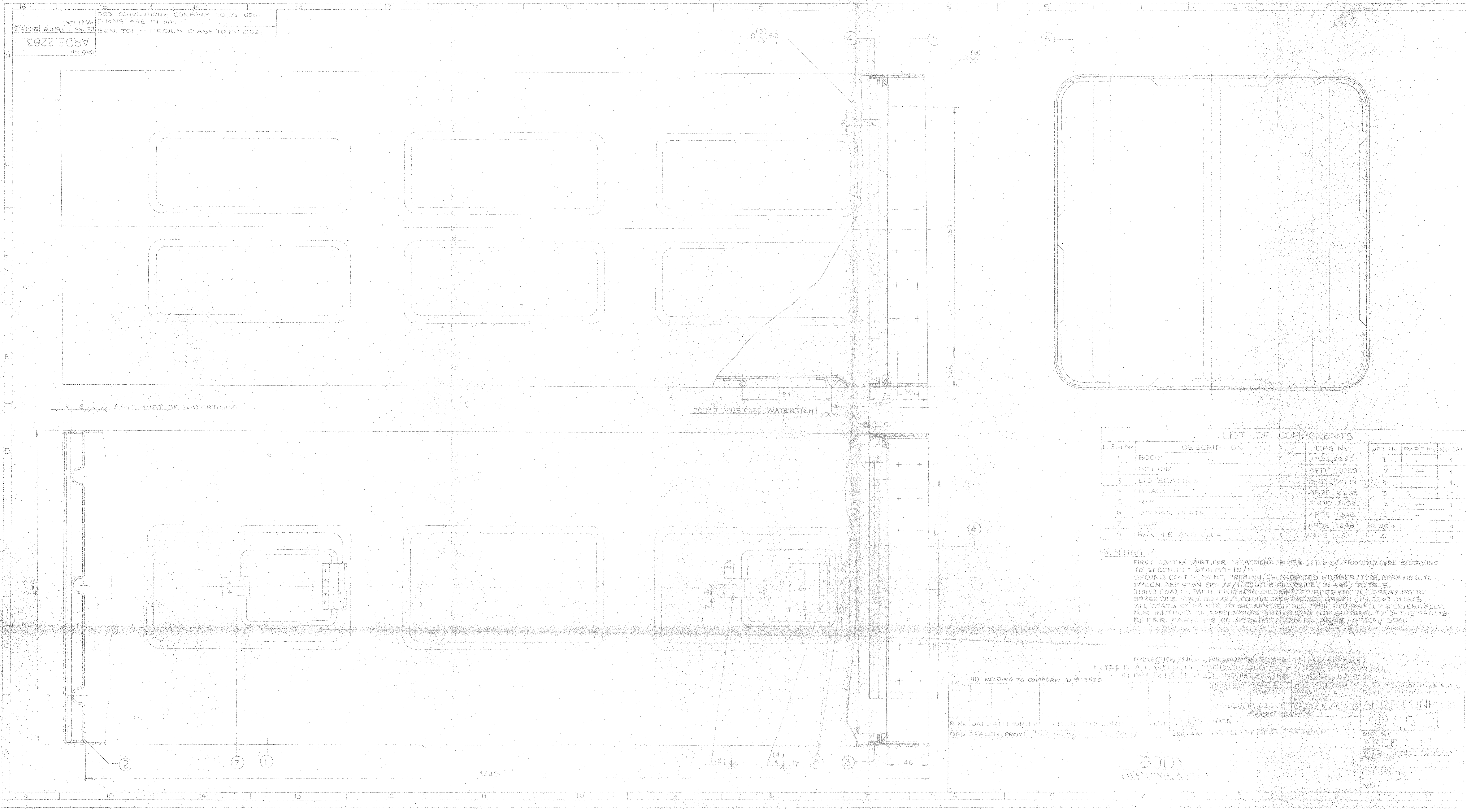


DRG CONVENTIONS CONFORM TO IS: 696.  
 DIMNS ARE IN mm.  
 GEN. TOL :- MEDIUM CLASS TO IS: 2102.  
 DRG No ARDE 2283  
 PART No 1  
 DET No 1



**LIST OF COMPONENTS**

ITEM No	DESCRIPTION	DRG No	DET No	PART No	No OFF
1	BODY	ARDE 2283	1	-	1
2	BOTTOM	ARDE 2039	7	-	4
3	LID SEATING	ARDE 2039	4	-	1
4	BRACKET	ARDE 2283	3	-	4
5	RIM	ARDE 2039	5	-	4
6	CORNER PLATE	ARDE 1248	2	-	4
7	CLIP	ARDE 1248	3 OR 4	-	4
8	HANDLE AND CLEAR	ARDE 2283	4	-	4

**PAINTING :-**  
 FIRST COAT :- PAINT, PRE-TREATMENT PRIMER (ETCHING PRIMER) TYPE SPRAYING TO SPECN DEF STAN 80-15/1.  
 SECOND COAT :- PAINT, PRIMING, CHLORINATED RUBBER, TYPE SPRAYING TO SPECN DEF STAN 80-72/1, COLOUR RED OXIDE (No 446) TO IS: 5.  
 THIRD COAT :- PAINT, FINISHING, CHLORINATED RUBBER, TYPE SPRAYING TO SPECN DEF STAN 80-72/1, COLOUR DEEP BRONZE GREEN (No 224) TO IS: 5.  
 ALL COATS OF PAINTS TO BE APPLIED ALL OVER INTERNALLY & EXTERNALLY. FOR METHOD OF APPLICATION AND TESTS FOR SUITABILITY OF THE PAINTS, REFER PARA 4/9 OF SPECIFICATION No. ARDE / SPECN/ 500.

PROTECTIVE FINISH - PHOSPHATING TO SPECN DEF STAN 80-15/1.

NOTES: i) ALL WELDING - WELDS SHOULD BE TO THE SPECN DEF STAN 80-15/1. ii) BOX TO BE TESTED AND INSPECTED TO SPECN DEF STAN 80-15/1.

iii) WELDING TO CONFORM TO IS: 9595.

DRG No	DATE	AUTHORITY	BRIDGE RECORD	DATE	BY
ARDE 2283					

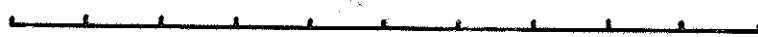
APPROVED BY: [Signature] DATE: [Date]

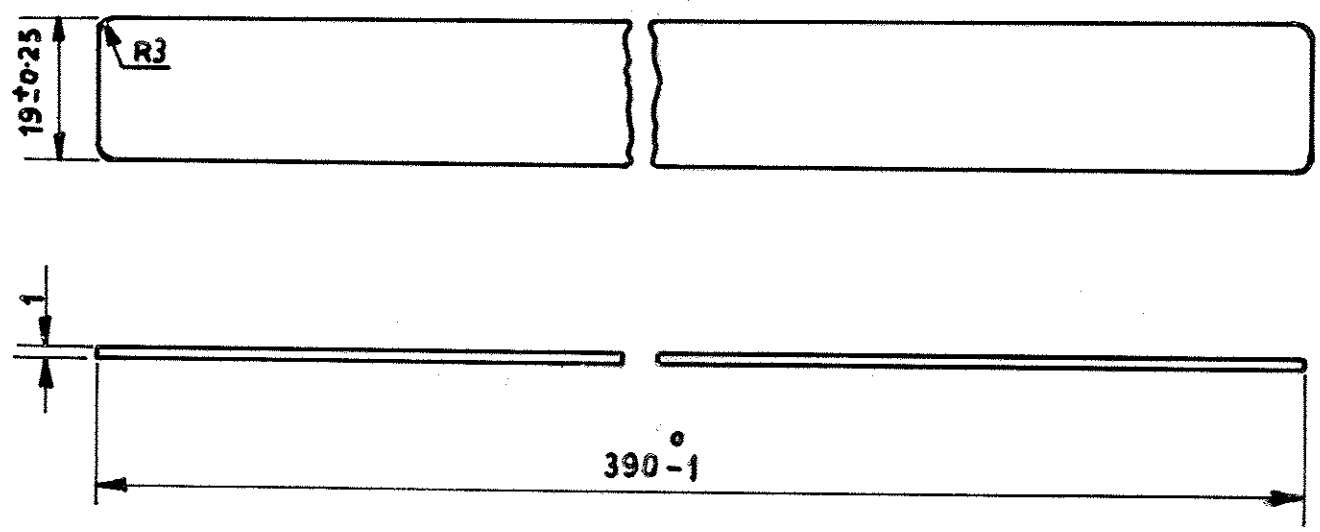
DRG No: ARDE 2283  
 PART No: 1  
 DET No: 1

**BODY**  
(WELDING ASSY)

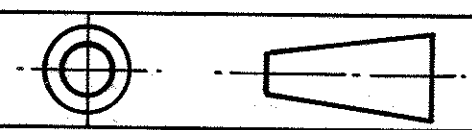


TRACED FROM ORIGINAL WITHOUT ANY CHANGE BY S.B. SARDAR ON 14-8-97 AT O.F.D.C.

1	2	3	4
PART No.		DRAWING CONVENTIONS CONFORM TO IS: 696	
DET No. 10		DIMNS ARE IN m.m. UNLESS OTHERWISE STATED	
SHTS. No.		GEN. TOL. MEDIUM CLASS TO IS: 2102	
ARDE 2283			
DRG. No.			



**PROTECTIVE FINISH:-**  
PHOSPHATING TO IS 3618 CLASS 'B' OILED & STOVED

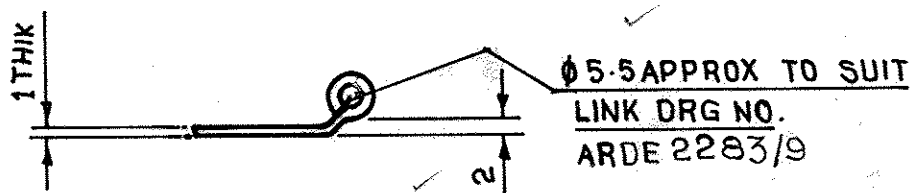
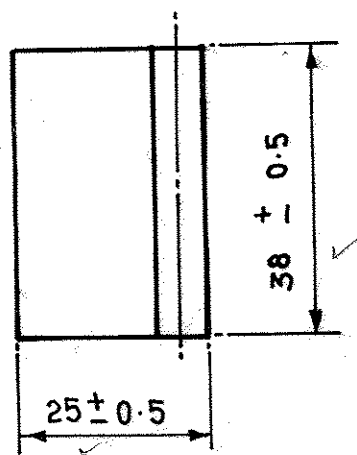
R. NO.	DATE:	AUTHORITY	BRIEF RECORD			ZONE	CD	GO			
DRG SEALED (PROV)						01 NOV 96	CRE (AA)				
DRN. SMP	CHD.	TRD.	COMP.	ASSY DRG. ARDE 2283/5							
CD	PASSED. sdi-	SCALE: 1:1		DESIGN AUTHORITY							
APPROVED. sdi-		EST MASS:		ARDE PUNE - 411 021							
FOR DIRECTOR		GAUGE SCHD:									
		DATE: 28-6-96									
MATL: STEEL TO SPEC IS: 513 Gd 'O'											
ANNEALED CONDITION											
PROTECTIVE FINISH: AS ABOVE				DRG. No.							
<u>HINGE PLATE</u>				ARDE 2283							
				DET. No. 10		SHTS.		SHT. No.			
				PART No.							
				D.S. CAT. No.							
A.H.S.P.											

23





1	2		3	4
PART No.		DRAWING CONVENTIONS CONFORM TO IS:696 DIMNS ARE IN m.m. UNLESS OTHERWISE STATED		
SHTS.No.	SHTS.	DET.No.13	GEN. TOL. MEDIUM/ CLASS TO IS:2102	
DRG.No.		ARDE 2283		



**PROTECTIVE FINISH :-**  
 PHOSPHATING TO SPEC IS:3618 CLASS 'B' OILED & STOVED  
**NOTE :-** DRG BASED ON ARM 1253 A32.

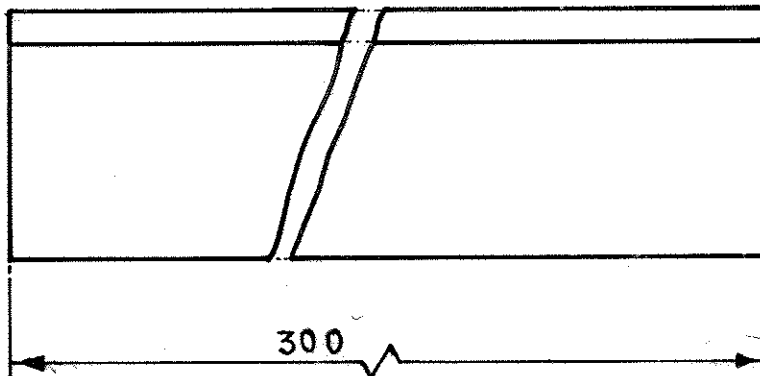
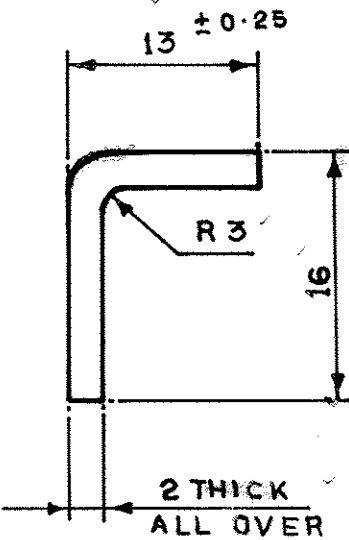
R. NO.	DATE:	AUTHORITY	BRIEF RECORD	ZONE	CD	GO
					SIGN	

DRG SEALED (PROV).		sd/-	01 NOV 96		CRE (AA)
DRN. sd/-	CHD/	TRD.	COMP.	ASSY DRG. ARDE 2283/5	
CD.	PASSED. sd/-	SCALE: 1:1		DESIGN AUTHORITY	
APPROVED. sd/-		EST MASS:		ARDE PUNE-411 021	
FOR DIRECTOR		GAUGE SCHD:			
		DATE: 20-6-96.			
MATL: STEEL TO SPEC IS:513 Gd.'O' ANNEALED CONDITION					
PROTECTIVE FINISH: AS ABOVE					
TITLE:			DRG. No.		
<b>HINGE</b>			ARDE 2283		
			DET. No. 13	SHTS.	SHT.No.
			PART. No.		
			D. S. CAT. No.		
			A.H.S.P.		

*Gedulla*  
 1/c-20

*26*

1		2		3		4	
PART No.				DRAWING CONVENTIONS CONFORM TO IS : 696			
DET. No.				DIMNS ARE IN mm. UNLESS OTHERWISE STATED			
ON SHTS.		SHTS.		GEN. TOL MEDIUM /		CLASS TO IS 2102	
DRG. No.							



**MATL :-** MILD STEEL TO SPEC. IS : 1079 Gd '0'  
ANNEALED CONDITION

**PROTECTIVE TREATMENT**

PHOSPHATING TO IS : 3618 CLASS 'B'

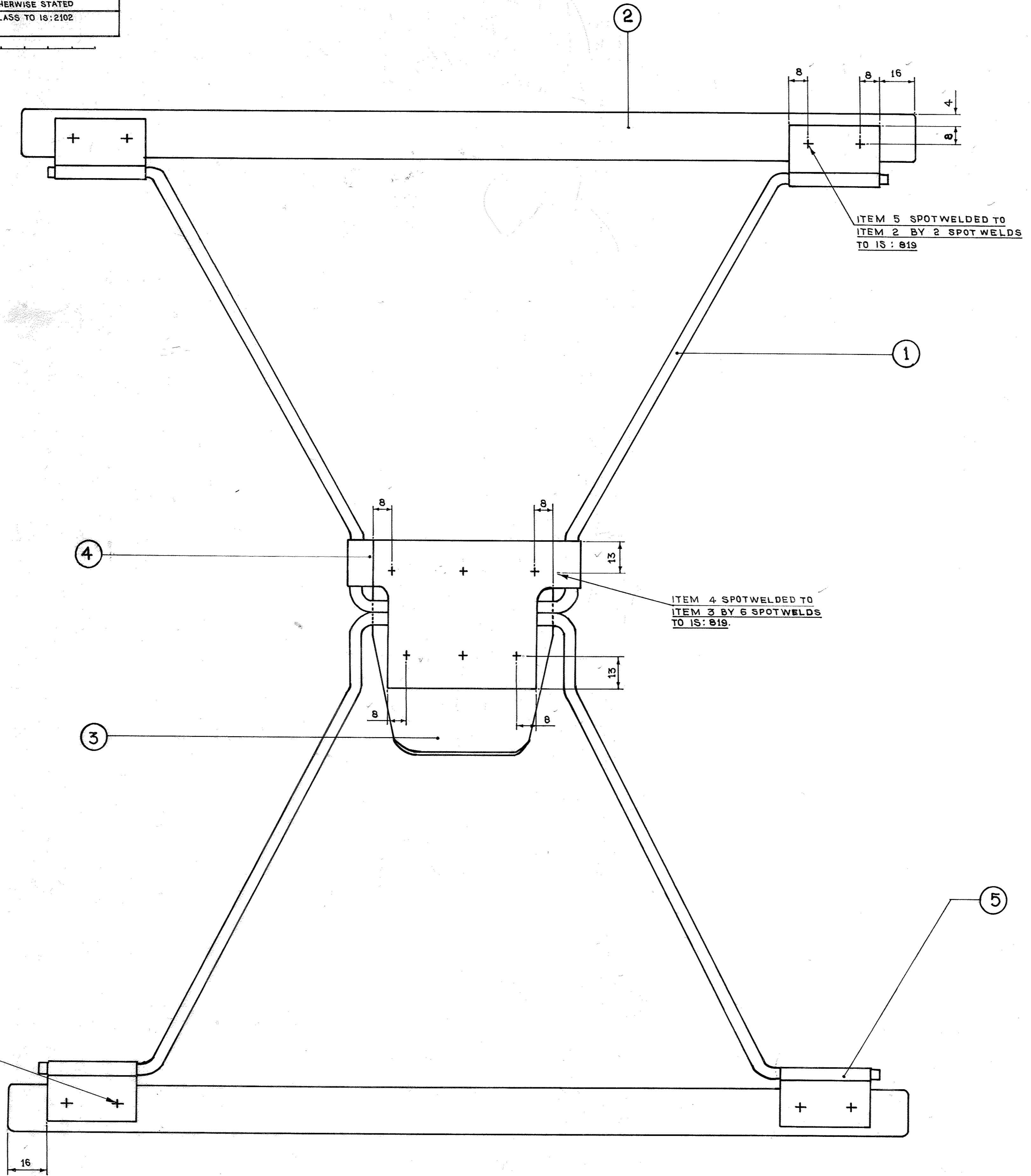
R. NO.	DATE:	AUTHORITY	BRIEF RECORD		ZONE	CD	GO
DRG. SEALED (PROV)		SD/-	01 NOV 96		CRE (AA)		
DRN. SD/-	CHD. SD/-	TRD.	COMP	ASSY. DRG. ARDE 2283, SHT - 3			
CD.	PASSED. SD/-	SCALE: 2:1		DESIGN AUTHORITY			
APPROVED. SD/-		EST. MASS:		ARDE PUNE-411 021			
FOR DIRECTOR		GAUGE SCHD:					
		DATE: 28-6-96					
MATL: AS ABOVE				DRG. No. ARDE 2283			
PROTECTIVE FINISH: AS ABOVE				DET. No. 3		SHTS.	SHT. No.
TITLE: BRACKET				PART No.			
				D.S.CAT. No.			
				A.H.S.P.			

Comp. P. K. Roy 27-08-94  
 f. G. S. W. 6/8  
 11C-D.0



TRACED FROM ORIGINAL WITHOUT ANY CHANGE BY R. C. PODDER ON 3-8-97 AT O.F.D.C. COMP. P.M. Rev 97-08-12 1/2-D. 13-08-97

DRAWING CONVENTIONS CONFORM TO IS: 696  
 DIMMS ARE IN mm. UNLESS OTHERWISE STATED  
 GEN. TOL MEDIUM/COURSE/FINE CLASS TO IS: 2102  
 DEF. No. 5 SHTS. SHTS. No. 5  
 ARDE 2283  
 DRG. No.



LIST OF COMPONENTS					
ITEM No	DESCRIPTION	DRG No.	DET No.	PART No.	NO-OFF
1	LINK	ARDE 2283	9		2
2	HINGE PLATE	ARDE 2283	10		2
3	HANDLE	ARDE 2283	11		1
4	HANDLE PLATE	ARDE 2283	12		1
5	HINGE	ARDE 2283	13		4

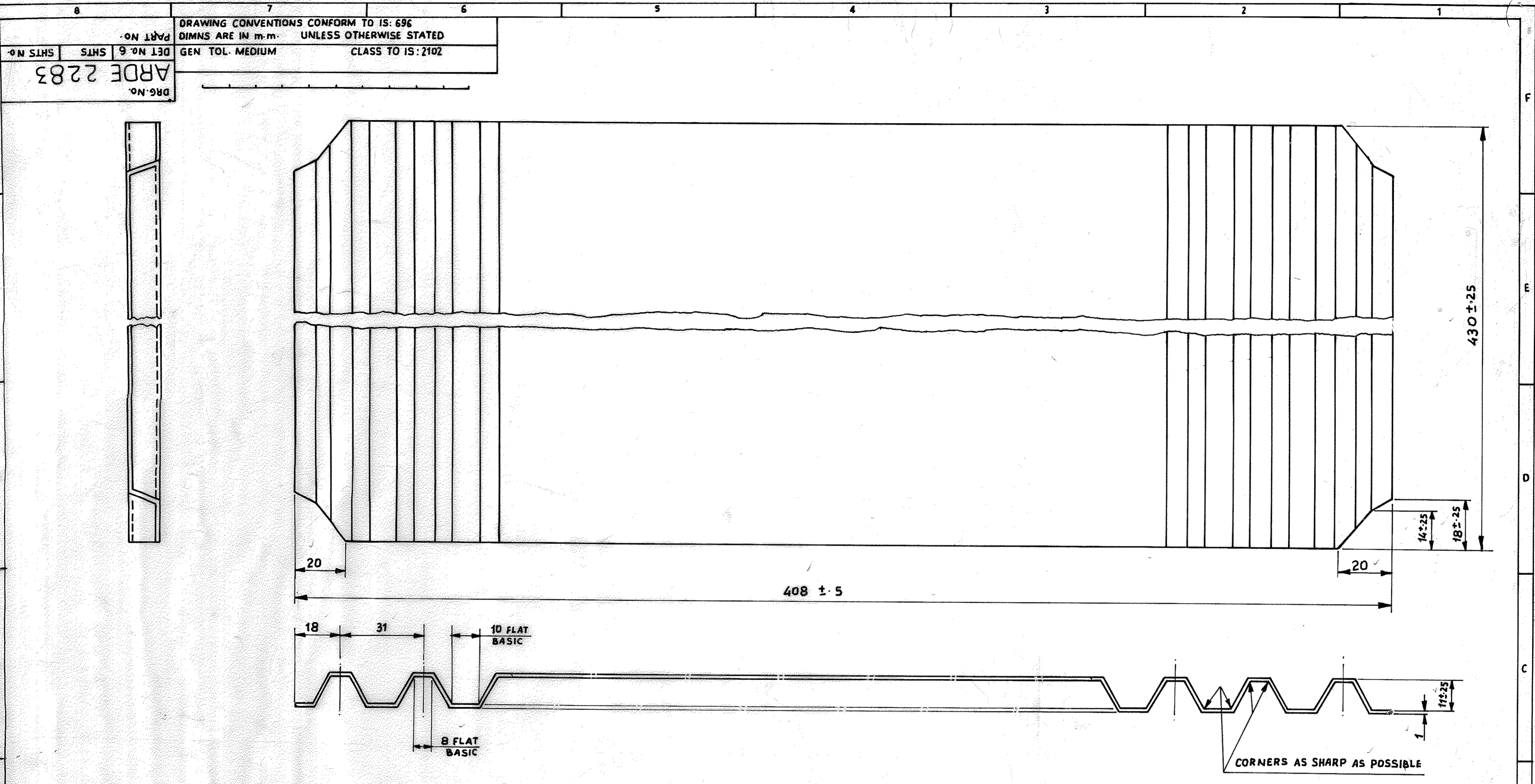
DRN. Sd/-	CHD. Sd/-	TRD.	COMP.	ASSY DRG-ARDE 2283 SHT-4
CD	PASSED Sd/-	SCALE: 1:1	DESIGN AUTHORITY	
APPROVED Sd/-	Sd/-	EST MASS:	ARDE PUNE - 411021	
		GAUGE SCHD:	DATE: 28-6-96	
R. No.	DATE:	AUTHORITY	BRIEF RECORD	ZONE
DRG SEALED (PROV)		Sd/-	01 NOV 96	CRE (AA)
				CD GO
				SIGN
				MATL:
				PROTECTIVE FINISH:

TITLE:

# LINK ASSY

DRG. No.  
**ARDE 2283**  
 DET. No. 5 SHTS. SHT. No.  
 PART No.  
 D.S. CAT. No.  
 A.H.S.P.

TRACED FROM ORIGINAL WITHOUT ANY CHANGE BY S. B. SARDAR ON 5.8.97 AT O.F.D.C. Compd. P. K. Roy 97-08-08  
 11.01.98



DRG. No. ARDE 2283  
 DET. No. 6 SHTS  
 PART No. 6

DRAWING CONVENTIONS CONFORM TO IS: 696  
 DIMNS ARE IN m.m. UNLESS OTHERWISE STATED  
 GEN TOL. MEDIUM CLASS TO IS: 2102

**NOTE :-**

CORRUGATION MUST BE WITHIN  
 ± 0.25 OF THEIR CORRECT  
 LONGITUDINAL POSITION

PROTECTIVE FINISH:- PHOSPHATING TO IS: 3618 CLASS 'B'  
 OILED AND STOVED.

DRN: sdt		CHD:	TRD	COMP	ASSY DRG-ARDE 2283, SHT-4
CD:		PASSED: sdt	SCALE: 1:1		DESIGN AUTHORITY
APPROVED: sdt		FOR DIRECTOR	EST MASS:		ARDE PUNE-411 021
R. NO.		DATE:	AUTHORITY	BRIEF RECORD	ZONE
DRG SEALED (PROV)		01 NOV 96	CRE (AA)	MATERIAL: STEEL TO SPEC IS: 513 Gd'o' ANNEALED CONDITION.	
					PROTECTIVE FINISH: AS ABOVE

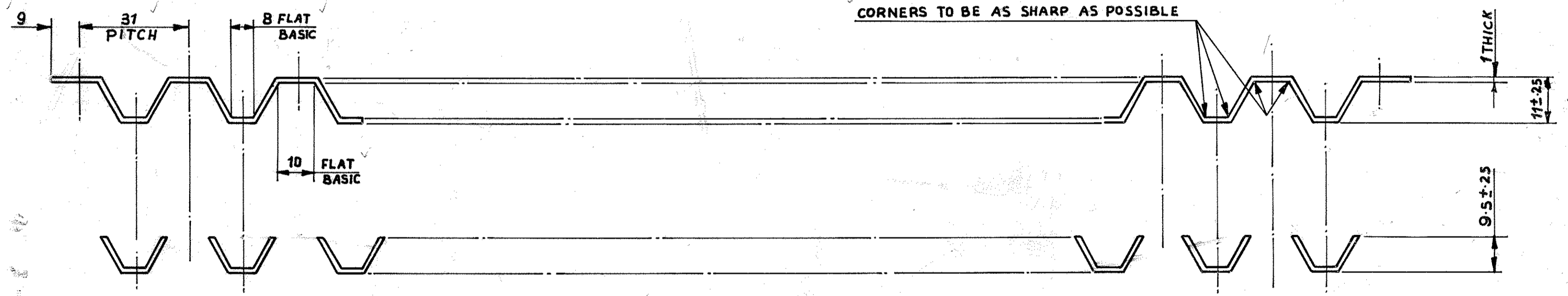
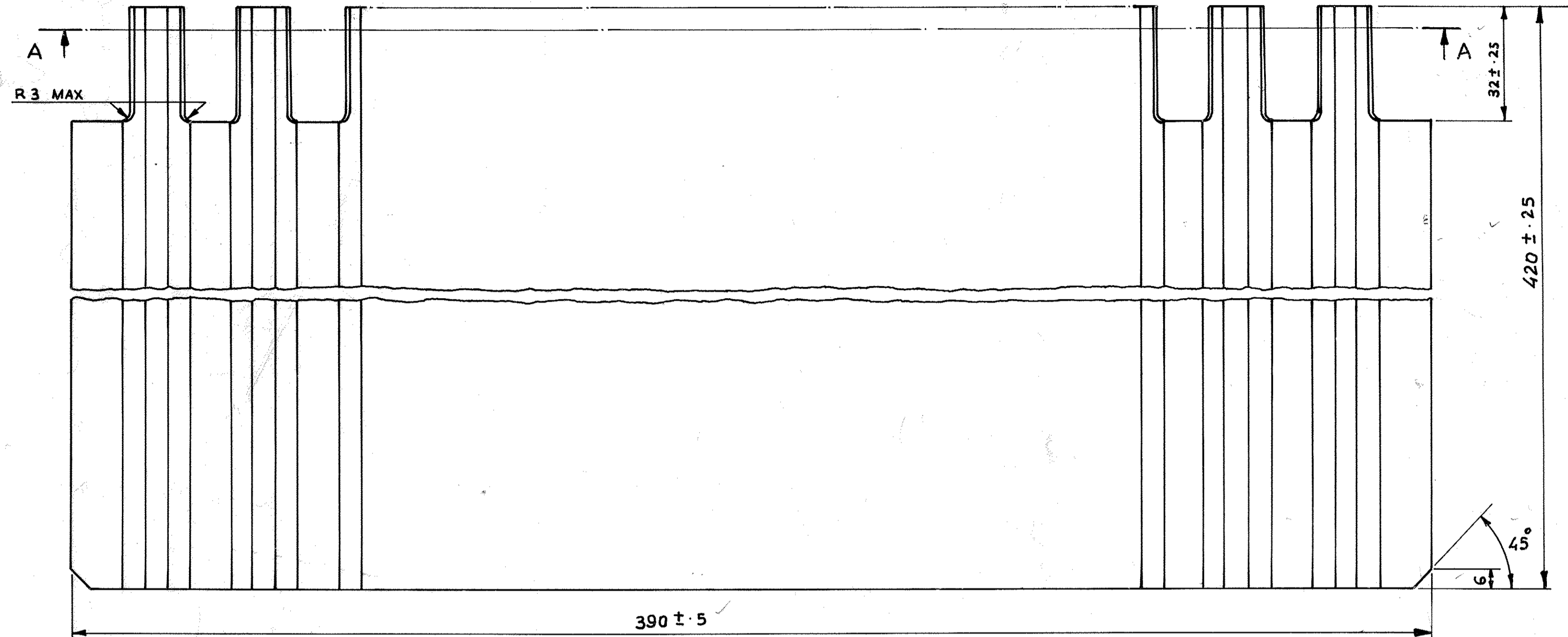
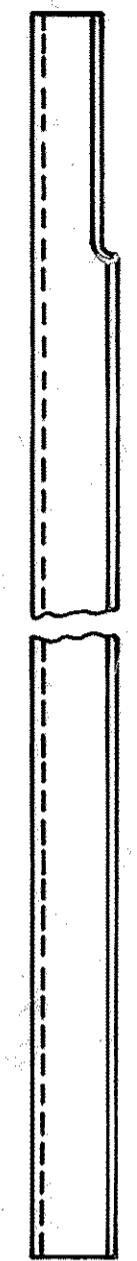


DRG. No. ARDE 2283  
 DET. No. 6 SHTS  
 PART No.  
 D.S-CAT. No.  
 A.H-S.P.

**BOTTOM PLATE**

TRACED FROM ORIGINAL WITHOUT ANY CHANGE BY S.B.SARDAR ON 9.8.97 AT O.F.D.C. Compd. P. K. Roy 97-08-10  
 Gya. 11/8  
 Te-D-D

8	7	6	5	4	3	2	1
PART NO. ARDE 2283 DET. No. 7 SHTS. 4 DRG. No. ARDE 2283		DRAWING CONVENTIONS CONFORM TO IS: 696 DIMNS ARE IN m.m. UNLESS OTHERWISE STATED GEN. TOL MEDIUM CLASS TO IS: 2102					



PROTECTIVE FINISH:-  
 PHOSPHATING TO IS: 3618 CLASS 'B' OILED & STOVED

**NOTE :-**  
 CORRUGATIONS MUST BE WITHIN  $\pm 0.25$   
 OF THEIR CORRECT LONGITUDINAL  
 POSITION.

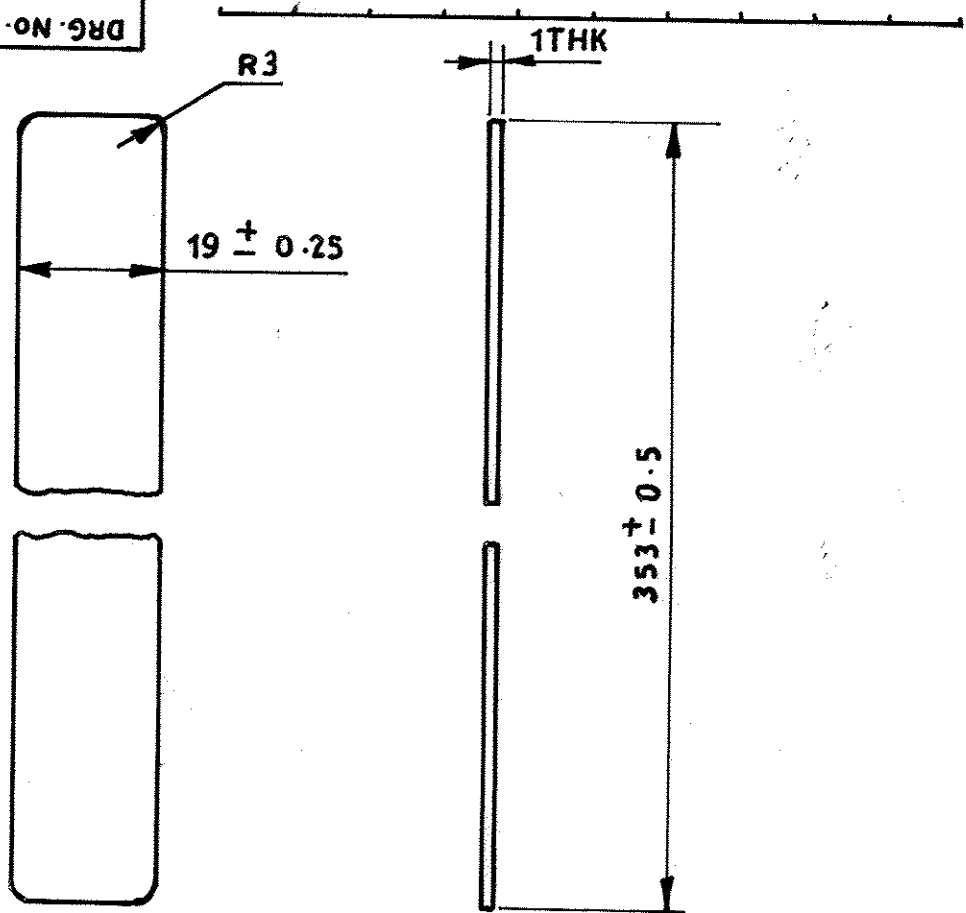
**SECTION-AA**

						DRN. sdi/	CHD. sdi/	TRD.	COMP.	ASSY DRG-ARDE 2283, SHT. 4
						CD	PASSED sdi/	SCALE: 1:1		DESIGN AUTHORITY
						APPROVED sdi/		EST. MASS:		ARDE PUNE-411 021
								GUAGE SCHD:		
								FOR DIRECTOR DATE: 28-6-96		
R. No.	DATE:	AUTHORITY	BRIEF RECORD	ZONE	CD GO SIGN	MATL: STEEL TO SPEC. IS: 513 Gd'o				
DRG SEALED (PROV) sdi/						01 NOV 96 CRE (AA) PROTECTIVE FINISH: AS ABOVE				

TITLE	<b>TOP PLATE</b>											
DRG. No. ARDE 2283 DET. No. 7 SHTS. 4 PART NO. D.S. CAT. No. A.H.S.P.												

TRACED FROM ORIGINAL WITHOUT ANY CHANGE BY: S. B. SARDAR. ON-10-8-97 AT: O. F. D. C.

1	2	3	4
PART NO.		DRAWING CONVENTIONS CONFORM TO IS: 696	
DET. NO. 8		DIMNS ARE IN mm. UNLESS OTHERWISE STATED	
SHTS. NO.		GEN. TOL. MEDIUM CLASS TO IS 2102	
SHTS.			
DRG. NO.			
ARDE 2283			



PROTECTIVE FINISH:-  
PHOSPHATING TO SPEC- IS: 3618 CLASS 'B' OILED & STOVED.

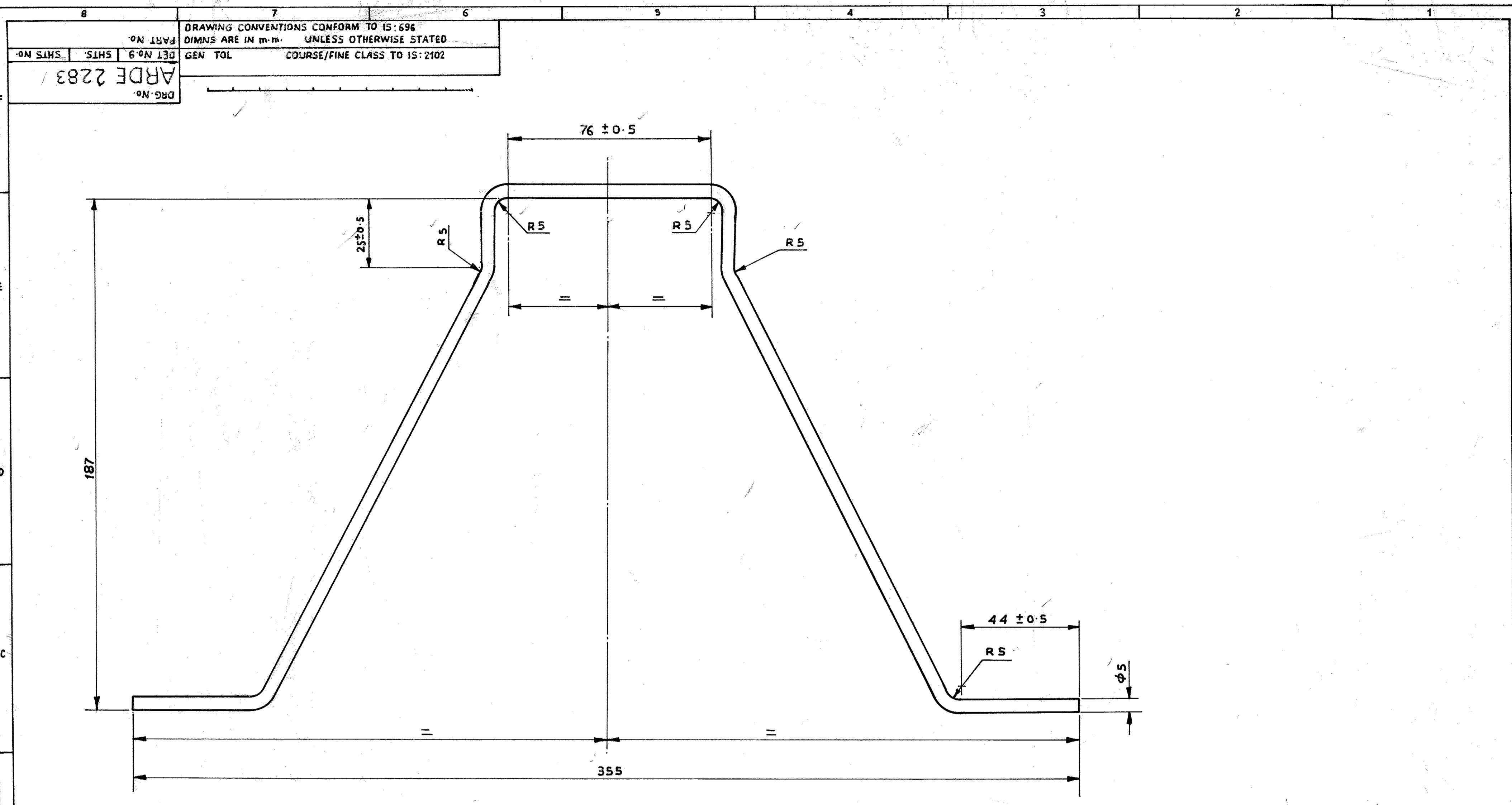
R. NO.	DATE:	AUTHORITY	BRIEF RECORD				ZONE	CD	GO
								SIGN	

DRG. SEALED (PROV)			01 NOV 96			CRE (AA)				
DRN. SMP	CHD. sdr	TRD.	COMP	ASSY. DRG. ARDE 2283 SHTS. 4						
CD	PASSED. sdr	SCALE: 1:1	DESIGN AUTHORITY							
APPROVED. sdr		EST. MASS:	ARDE PUNE-411 021							
FOR DIRECTOR		GAUGE SCHD:								
MATERIAL: STEEL TO SPEC. IS: 513 Gd'o'			DATE: 28.6.96							
ANNEALED CONDITION										
PROTECTIVE FINISH: AS ABOVE			DRG. No. ARDE 2283							
<u>TITLE:</u>  <u>BOTTOM PLATE TIE PIECE</u>			DET. No. 8		SHTS.		SHT. NO.			
			PART NO.							
			D-S-CAT. No.							
			A-H-S-P.							

21

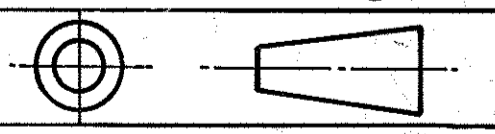
Comp: - Ashattaacharya - 10-8-97. 1/c Do. 10/8/97

TRACED FROM ORIGINAL WITHOUT ANY CHANGE BY S. B. SARDAR ON: 12-8-97 AT: D.F.D.C. Comp. P. K. Roy 97-08-13  
 10/8  
 10-10-96



**PROTECTIVE FINISH:-**  
 PHOSPHATING TO IS: 3618 CLASS 'B'  
 OILED AND STOVED

						DRN: sdi	CHD: sdi	TRD:	COMP.	ASSY DRG-ARDE 2283/5
						CD	PASSED: sdi	SCALE: 1:1		DESIGN AUTHORITY
								EST MASS:		ARDE PUNE-411021
						APPROVED: sdi	FOR DIRECTOR	GAUGE SCHED:		
								DATE: 28-6-96		
R. NO.	DATE:	AUTHORITY	BRIEF RECORD	ZONE	CD	GO	MATL: STEEL TO SPEC. IS: 1570 Gd C-20			
					SIGN					
DRG SEALED (PROV)			sdi-	01 NOV 96	CRE (AA)		PROTECTIVE FINISH: AS ABOVE			



TITLE										DRG. No.
<h1>LINK</h1>										ARDE 2283
										DET. No. 9   SHTS.   SHT. No.
										PART No.
										D.S. CAT. No.
										A.H.S.P.

22