

✓

DATA SHEET

(CHECK PAGE 3)

PART NO. DC-2C-~~ESRC~~ ESRC

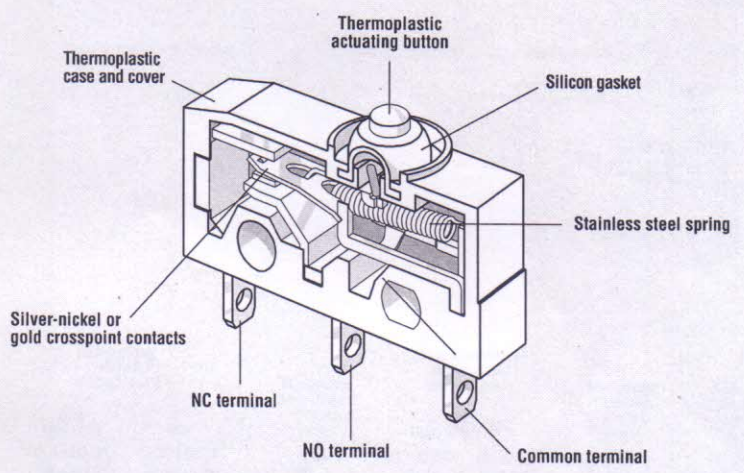
Page 1



# SUBMINIATURE — SEALED DC Series

## Features

- Enclosed switch complying with IP 6K7
- Silicon-free version available
- Models available for operating temperatures up to 120°C
- Rated for currents up to 10 amp at 250VAC
- Range of auxiliary actuators available (can also be retrofitted)
- Various contact materials available, depending on application
- Mechanical life: min. 1 x 10<sup>6</sup> operations
- Wide variety of connection options

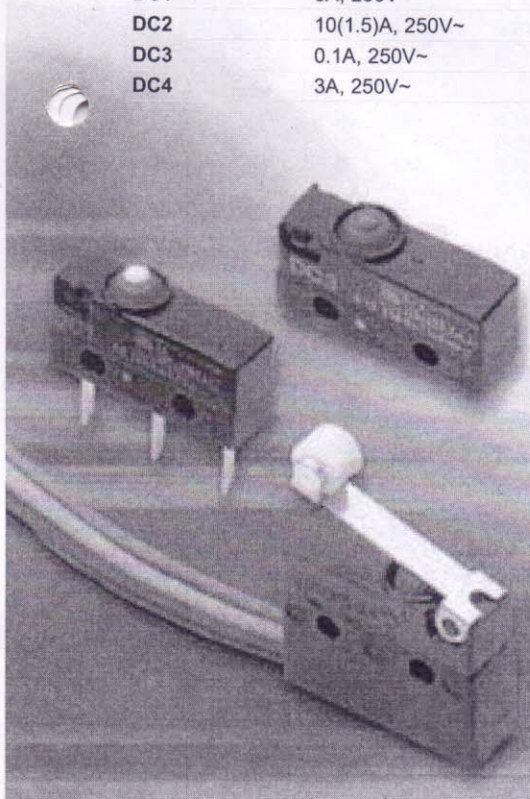


## Electrical Ratings

Switch Series	EN61058 Rating	UL1054 Rating	Electrical Life at Rated Load	
			According to EN (Min. Operations)	According to UL (Min. Operations)
DC1	6A, 250V~	5A, 125/250VAC	10,000	6,000
DC2	10(1.5)A, 250V~	10.1A, 125/250VAC; 1/4HP, 125VAC	10,000	6,000
DC3	0.1A, 250V~	0.1A, 125/250VAC	50,000	6,000
DC4	3A, 250V~	3A, 125/250VAC	50,000	6,000

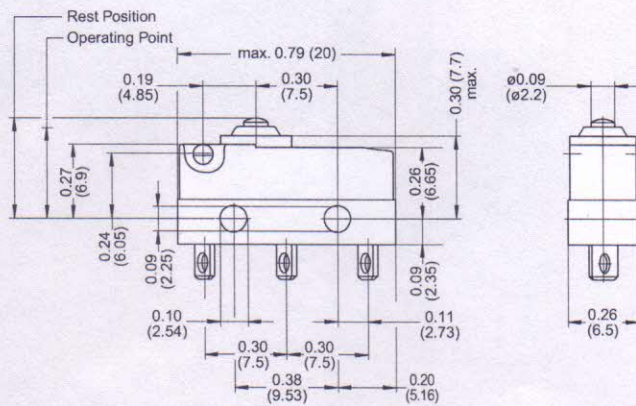
## Specifications

<b>Electrical</b>	
Temperature Rating:	-40° to +85°C / +120°C (without wire leads) -40° to +85°C / +105°C (with wire leads)
Flammability Rating:	UL94V-0 (PET, PBT) UL94HB (POM)
<b>Materials</b>	
Case:	PET / PBT
Actuator:	POM (T85), PBT (T120)
Auxiliary Actuator:	Stainless Steel or Plastic
Terminals:	Silver-Plated Copper-Zinc
Contacts:	Silver Alloy (DC3 — Gold Crosspoint)
PBT = Polybutyleneterephthalate • PET = Polyethyleneterephthalate • POM = Polyacetal	

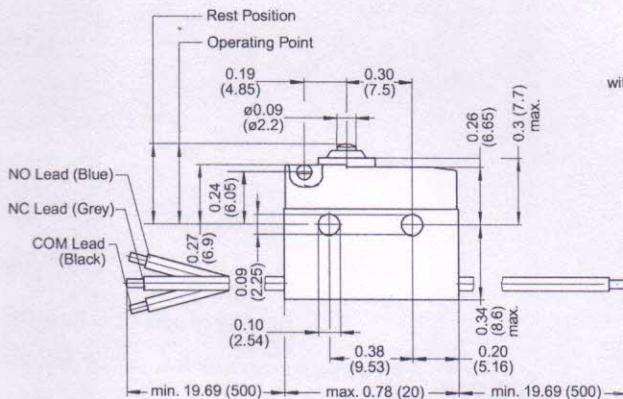




**Dimensions** inches (mm)



**Model with Connecting Leads**

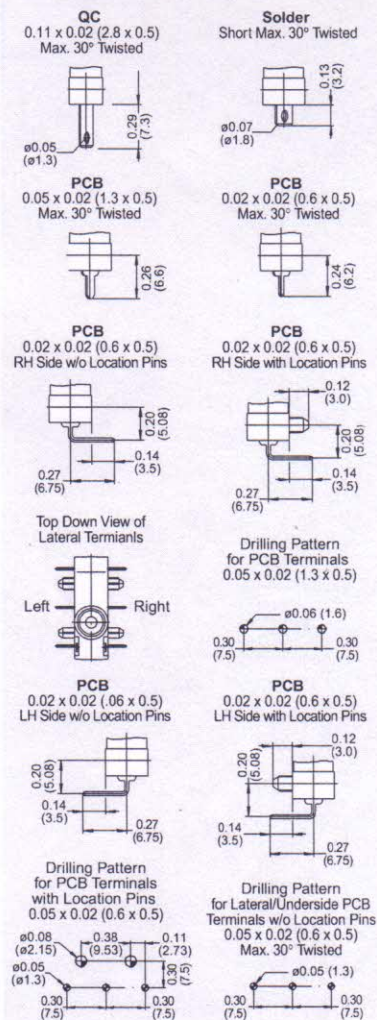


**Cut-out**

**Type A**

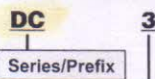
**Type B**

**Terminal Options** inches (mm)



DC-2C-ESRC

**Ordering Information**



Code	UL Rating	EN 61058 Rating
1	5A, 125/250VAC	6A, 250V~
2	10.1A, 125/250VAC 1/4HP, 125VAC	10(1.5)A, 250V~
3	0.1A, 125/250VAC	0.1A, 250V~
4*	3A, 250VAC	3A, 250V~

Contact Configuration			
+85°C Operating Temp		+105*/120°C Operating Temp	
Code		Code	
E	SPST NO	A	SPST NO
F	SPST NC	B	SPST NC
G	SPDT	C	SPDT

**Notes:**

- Wire leads 500mm min. (approximately 20" long)
- 1. Only available with terminal configuration 1.
- 2. +85°C rated only.
- 3. Only available with DC1, DC3 and DC4.
- 4. Rating code 4 only as lead-version — leads 0.5mm<sup>2</sup>.
- 5. Wire versions only rated to +105°C.
- 6. Only available with terminal configuration 3 or 4.



Code	Terminal Type inches (mm)	Notes
A	Short Solder	1
B	0.02" (0.5") Leads (No UL)	5, 9
C	0.03" (0.75") Leads (No UL)	5
H	0.05 x 0.02 (1.3 x 0.5) PCB	1
K	0.02 x 0.02 (0.6 x 0.5) PCB	1, 7
L	0.11 x 0.02 (2.8 x 0.5) QC	1
N	Without Leads (Type B)	6
P	Without Leads (Type A)	6
Q	Without Leads (No Cut-Out)	8
S	Welding	1
T	Leads, 20 AWG	3, 11
U	Leads, 22AWG	9, 11

**Only Available in North America**

D	Leads 18 AWG (UL Only)	5, 8, 10
E	Leads 16 AWG (UL Only)	5
M	Leads 20 AWG (UL Only)	3, 5

- 7. Only available with terminal configuration 1, 6, 7, 8 or 9.
- 8. Only available with terminal configuration 5.
- 9. Only available with DC3 and DC4.
- 10. Not available with DC2.
- 11. Not available in North America.



Code	Actuator Type	Code C Actuation Length inches (mm)			
		A	B	C	D
AA	Button only	—	—	—	—
L	Lever	—	0.189 (4.8)	0.276 (7.0)	1.654 (42.0)
R	Roller	—	0.098 (2.5)	0.185 (4.7)	1.563 (39.7)
S	Simulated Roller	—	0.098 (2.5)	0.185 (4.7)	1.563 (39.7)
V <sup>2</sup>	Plastic Sim. Roller	—	0.220 (5.6)	—	—
W <sup>2</sup>	Plastic Straight	—	0.276 (7.0)	0.551 (14.0)	—
Z <sup>2</sup>	Plastic with Roller	—	0.205 (5.2)	—	—

Code	Terminal Configuration
1	30° Twisted
3	Leads on Actuator Side
4	Leads on Opposite Side from Actuator
5	Leads Attached to Underside
6	PCB Terminals Right-hand Side
7	PCB Terminals Left-hand Side
8	PCB Terminals Right-hand Side with Location Pins
9	PCB Terminals Left-hand Side with Location Pins