

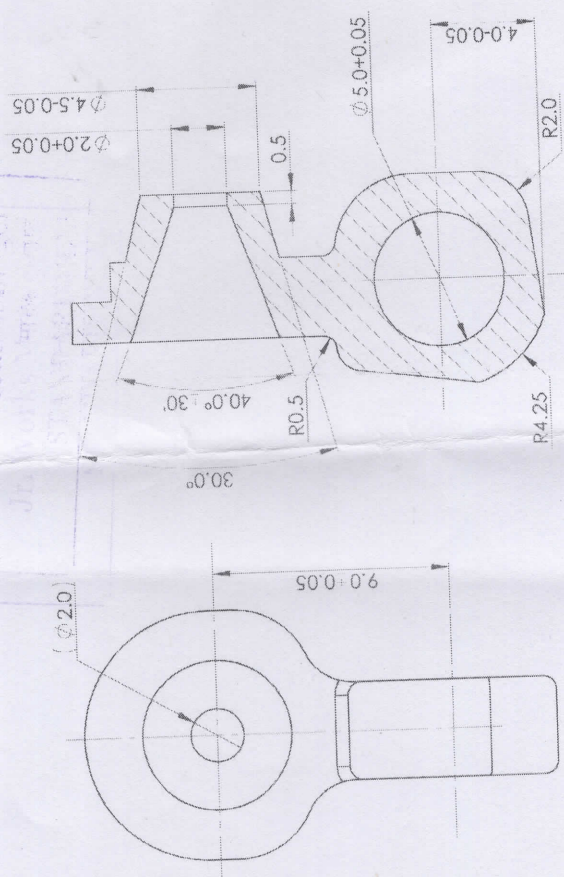
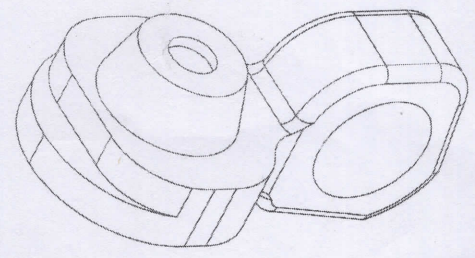
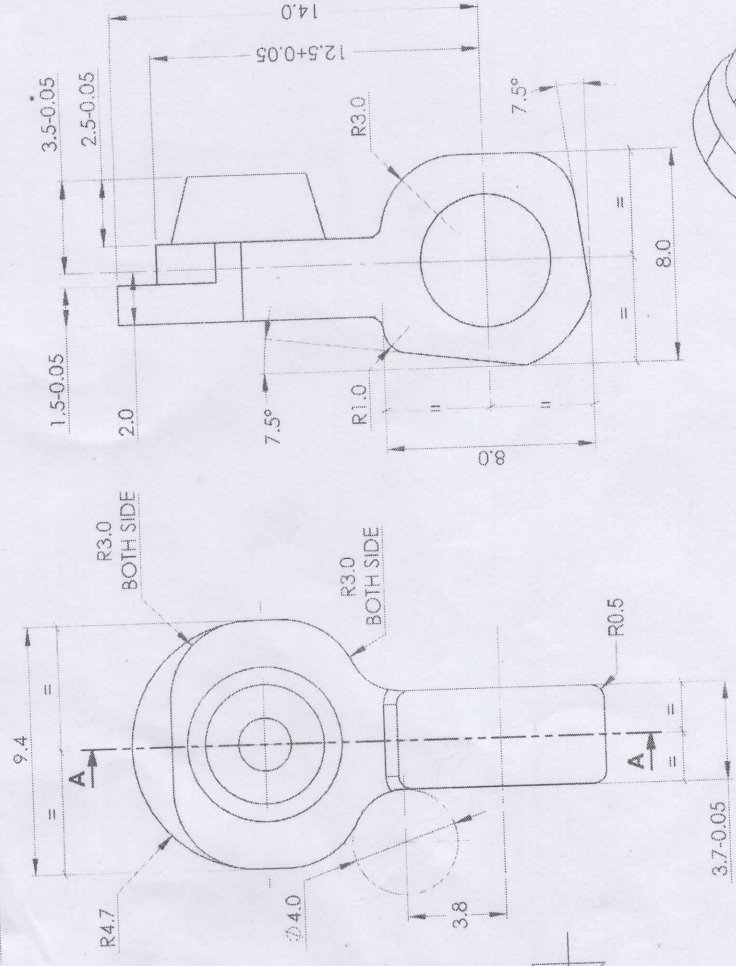
7

Hos/meo

ISS	C	V	SS	S	SS	IC	DRG NO.
A	900	10	00	40	00	4020	

DRG. CONVENTIONS CONFIRM TO INDIAN STANDARDS
DIMENSIONS ARE IN mm UNLESS OTHERWISE STATED.

GENERAL TOL.: FINE / MEDIUM / COARSE
CLASS TO IS: 2102



SECTION A-A

Sr. No.	DATE	AUTHORITY	BRIEF RECORD	ZONE	CD	GO	SIGN
DRN: SOURABH	DATE: 07/03/2019	APPD. DATE: 07/03/2019	MATERIAL: STEEL TO IS:5517-1993, Gd-55C8				
SIGN: <i>[Signature]</i>	DATE: 07/03/2019	SEAL: <i>[Signature]</i>	PROTECTIVE FINISH: ELECTROLESS NICKEL-BORON NITRIDE (NiBN) COATING AS PER ARDE SPECN. NO: ARDE/SA/2016/COATING-02				
DATE: 07/03/2019	EST. MASS: 2.52 gms	DESIGN AUTHORITY: ARDE PUNE 411021	TITLE: SIGHT LEAF				
DRG No. 0204	IC	SS	S	AA	AA	00	00
0204	03	04	01	06	00	00	00
IC	SS	S	AA	AA	00	00	00
PART No.	DS CAT No.	AHSP					
0204	0304	0106					

- NOTES:-
- REMOVE ALL SHARP EDGES AND BURR.
 - TOL. FOR ANGLES ±30° UNLESS OTHERWISE STATED.
 - DIMENSIONS ARE TO BE READ AS APPLIED AFTER PROTECTIVE FINISH.
 - HARDNESS:- 260-310 HV.
 - IF THE COMPONENT IS TO BE MANUFACTURED THROUGH MIM ROUTE, REFER ARDE SPECN NO.DRDO/ARDE/MIM/TSP/0511/2019.
 - SURFACE FINISH ∇ UNLESS OTHERWISE SPECIFIED.
 - ALT. PROTECTIVE COATING : PHOSPHATED TO SPECN. IS:3618-1966, CLASS 'B'

JVPC	PART No.	DS CAT No.	AHSP				
0204	0304	0106	0106				