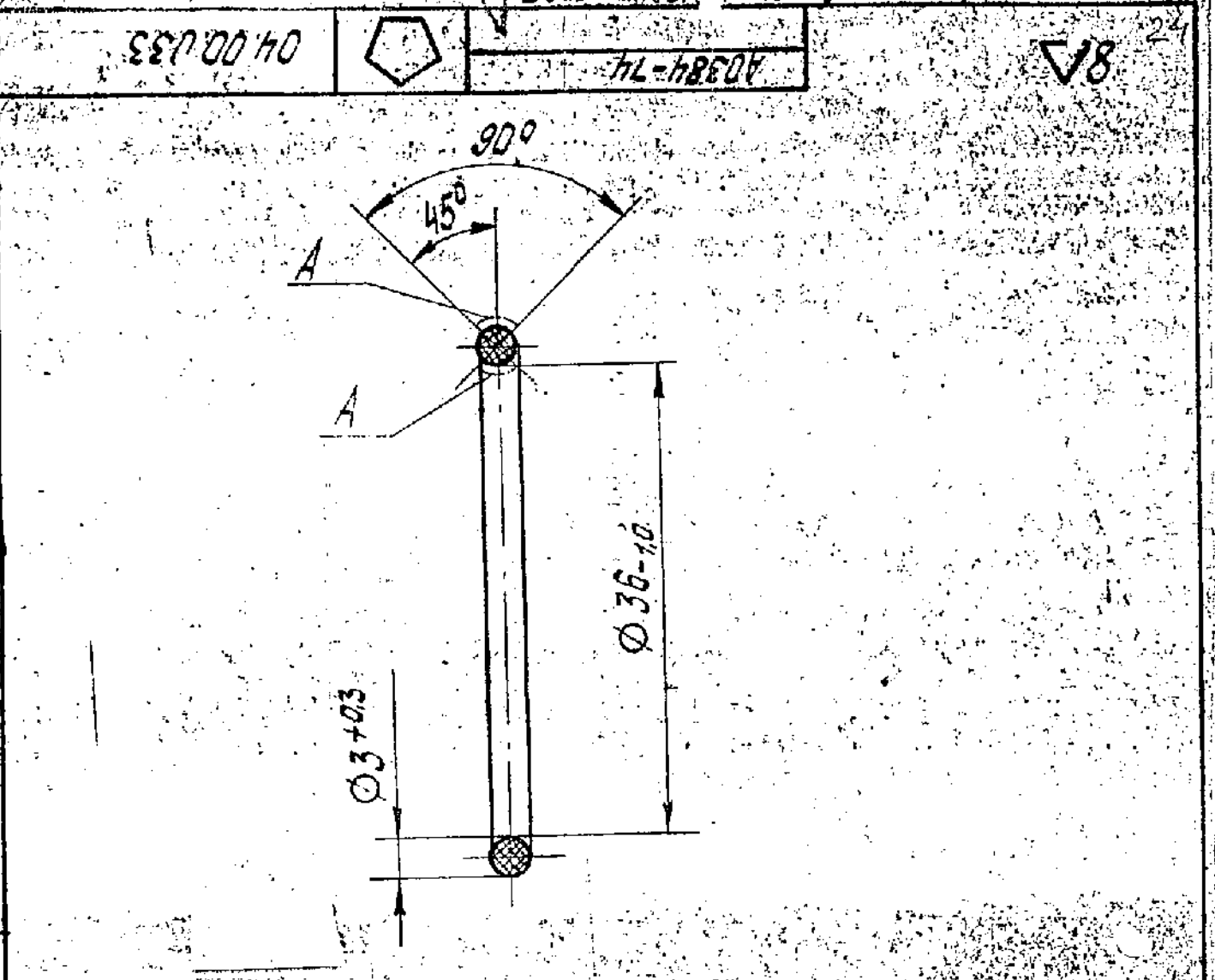


Восстановлен с подлинного
 Верно: [Signature] Курьминский

Согласно [Signature] 25.08.84



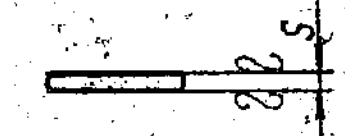
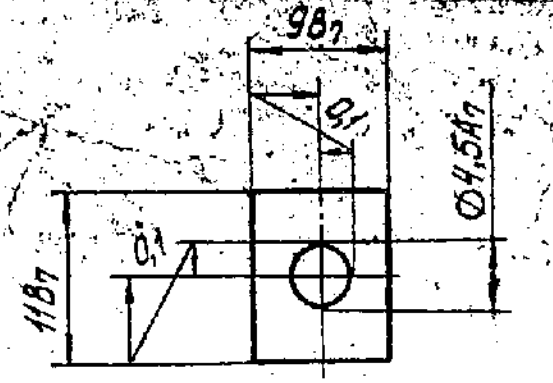
1. It is permissible to use rubber HO-68-1, TY 38-005.1166-73.
2. Surface roughness and ring dimensions are ensured by the production process.
3. Surfaces A are working surfaces.
4. Other technical requirements are according to Group B, TY 38-005-838-70. Mark the appropriate stamp on the tag for the lot.
5. Mark the appropriate stamp on the tag for the lot (A).
6. Sulphur inclusions and sulphur stains and traces on the surface are not allowed.

APPROVED	<i>[Signature]</i> M VASU	04-00-033		2810 2177	
CHECKED	<i>[Signature]</i>	RING	WEIGHT	SCALE	
CONTROLLERATE OF INSPECTION (ICV)			0.001	2:1	
		RUBBER STOCK 14K-10, TY 38-005.1166-73	SHT	SHTS 1	

КОНТРОЛЬ ТИПОВЫЙ

105
107, 126

03 unless otherwise specified



Table

Designation	Material	Mass	S
04.00.105	Band 12x18H10T-M-0,1 ГОСТ 4986-79	0.00006	0.1
04.00.106	Band 12x18H10T-M-0,15 ГОСТ 4986-79	0.00009	0.15
04.00.107	Band 12x18H10T-M-0,2 ГОСТ 4986-79	0.0012	0.2
04.00.126	Band 12x18H10T-M-0,4 ГОСТ 4986-79	0.0024	0.4

1. All dimensions (except for thickness) are ensured by the production process.
2. Remove burrs.
3. Mark the appropriate stamp on the tag for the lot (A).

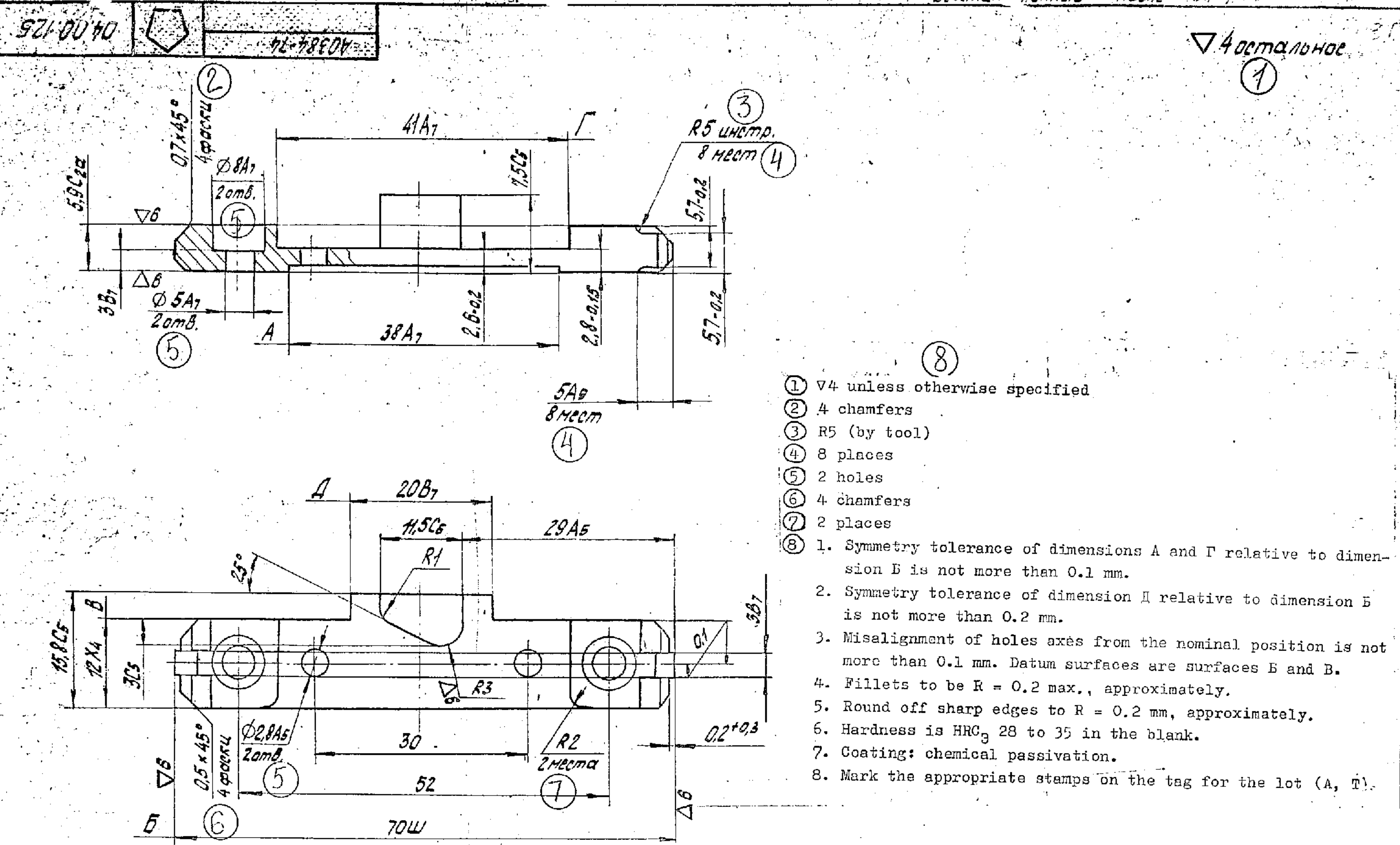
APPROVED	<i>[Signature]</i> M VASU	04.00. 105 107, 126	32/0 2177
CHECKED	<i>[Signature]</i>		
CONTROLLERATE OF INSPECTION (ICV)	GASKET	WEIGHT	SCALE
		(SEE THE TABLE)	2:1
		SHT	SHTS

Восстановлен с подлинника
Верно

7
ВЗНМ.СНБ.К.К. Инв. № 0500. П. 01.0.0000

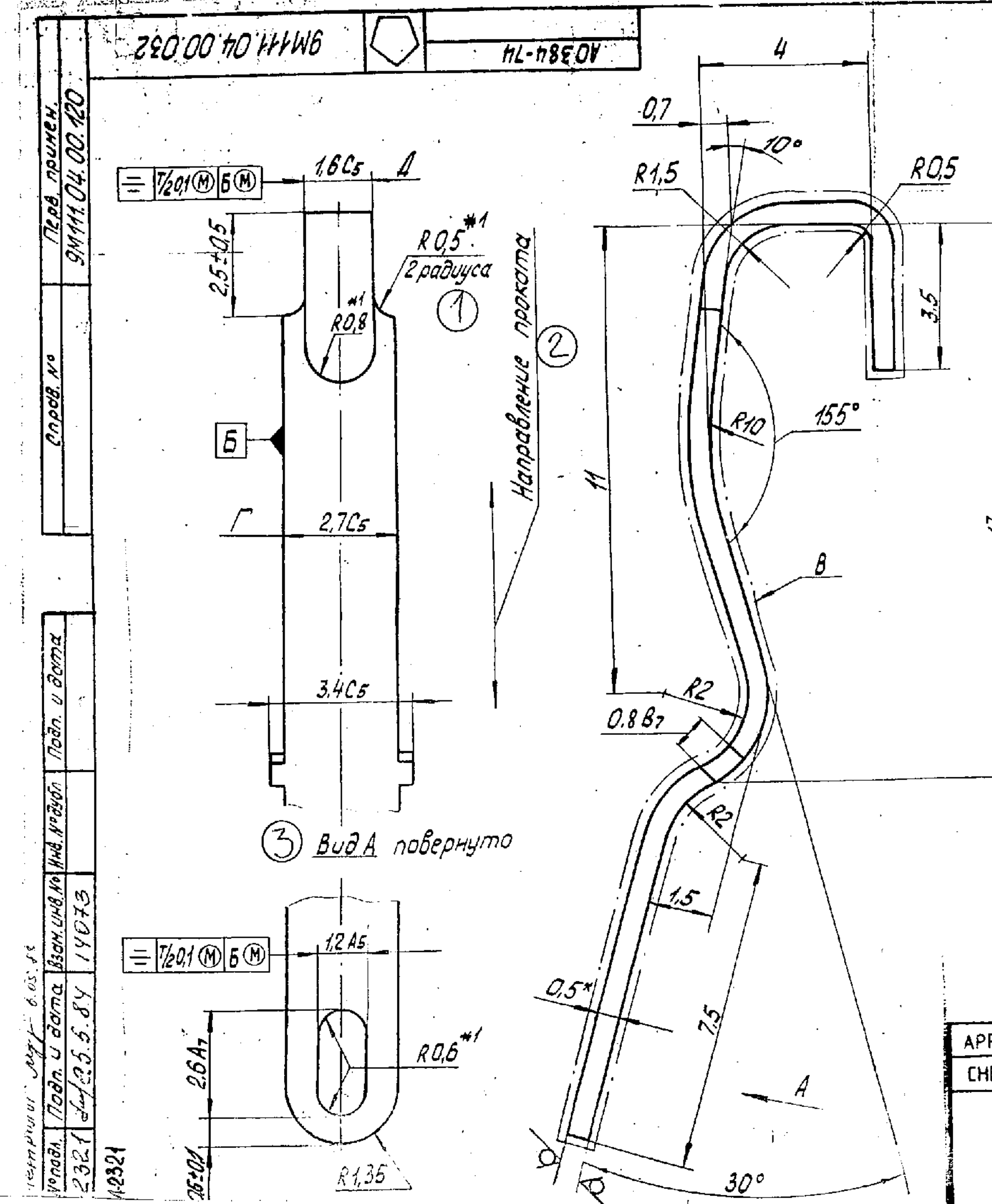
Все детали с угловыми фасками
 Верно: [Signature]

[Signature]
 [Signature]
 [Signature]



- ① V4 unless otherwise specified
- ② 4 chamfers
- ③ R5 (by tool)
- ④ 8 places
- ⑤ 2 holes
- ⑥ 4 chamfers
- ⑦ 2 places
- ⑧ 1. Symmetry tolerance of dimensions A and Г relative to dimension B is not more than 0.1 mm.
- 2. Symmetry tolerance of dimension Д relative to dimension Б is not more than 0.2 mm.
- 3. Misalignment of holes axes from the nominal position is not more than 0.1 mm. Datum surfaces are surfaces Б and Б.
- 4. Fillets to be R = 0.2 max., approximately.
- 5. Round off sharp edges to R = 0.2 mm, approximately.
- 6. Hardness is HRC₃ 28 to 35 in the blank.
- 7. Coating: chemical passivation.
- 8. Mark the appropriate stamps on the tag for the lot (A, T).

APPROVED	[Signature] M VASU	04.00.125	35/D 2177
CHECKED	[Signature]	REAR HOOK	WEIGHT SCALE
CONTROLLERATE OF INSPECTION (ICV)		STEEL 25X17H26-U1	0.026 2.1
		TY 14-1-1062-74	SHT SHTS 1



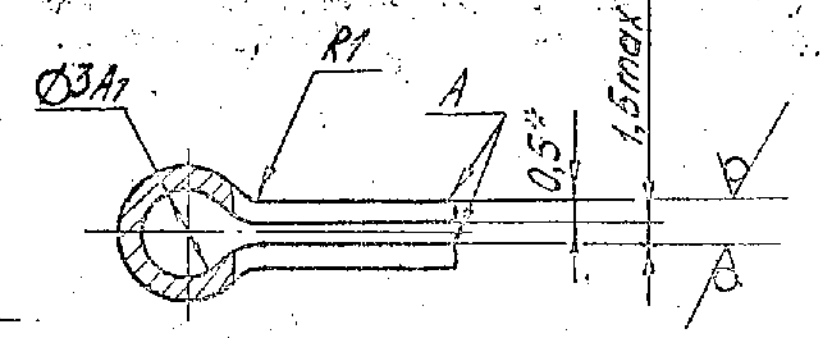
- ① 2 radii
 ② Direction of rolling
 ③ View A (revolved)
 ④ 1. Substitute material: band БрБ2-М-0,5, ТУ 48-21-265-82.
 2. HV 280 to 380.
 3. Deviation along contour is $B \pm 0.25$ mm.
 4. Dimensions marked with an asterisk (*) are given for reference.
 5. Dimensions marked with (*1) are ensured by the tools.
 6. Dimensions Г and Д may be increased up to 0.1 mm in the bending points.
 7. Coating: Ср15 (silver) $F = 0.0169$ dm².
 8. Mark the appropriate stamps on the tag for the lot (K, M).
 9. After heat treatment check the part by visual inspection for absence of cracks with the help of an optical device with 5X magnification.

290 00 10 111 W6
 HL-118E0V
 9M111.04.00.032
 27/0 2177
 2321
 14073
 26±0.1
 12A5
 R0.6*1
 R1.35

APPROVED	M VASU	9M111.04.00.032 27/0 2177	
CHECKED	V. Babitskiy	CONTACT	WEIGHT
CONTROLLERATE OF INSPECTION (ICV)			SCALE
		0.00034	10:1
		SHT	5-15 I
		BAND БрБ2-М-0,5, ГОСТ 1789-70	

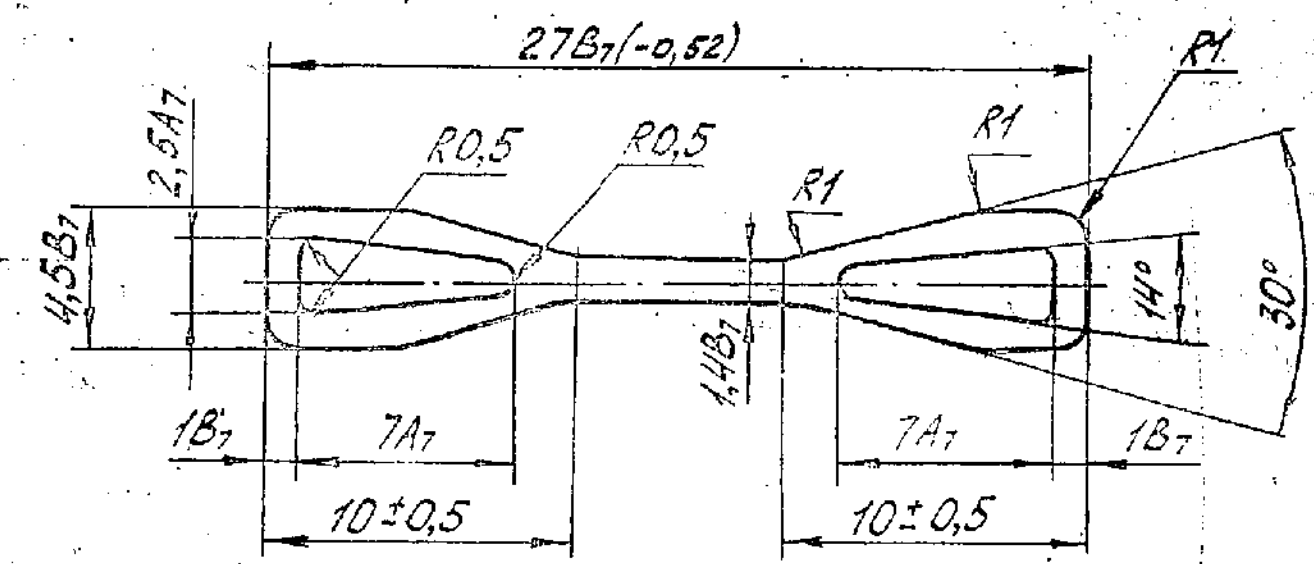
Восстановлен с подлинника №1
 от 14.04.73
 в соответствии с подлинником №1
 от 14.04.73
 в соответствии с подлинником №1
 от 14.04.73

98.811.037
 А.0211-72
 R220/



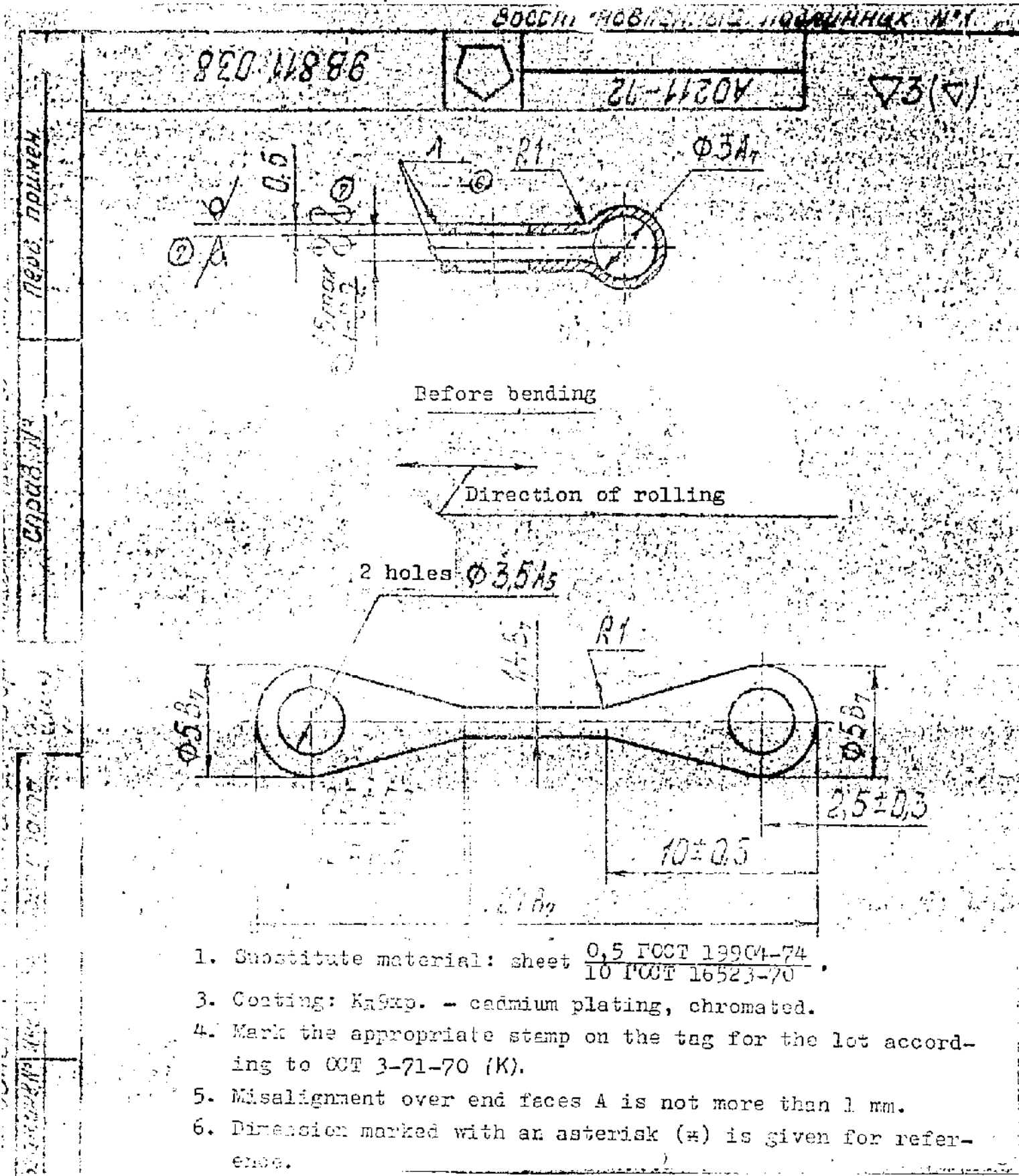
Before bending

Direction of rolling



1. Substitute material: sheet 0.5 ГОСТ 19904-74 / 10 ГОСТ 16523-70
2. Coating: Кп9хр. - cadmium plating, chromated.
3. Mark the appropriate stamp on the tag for the lot according to OCT 3-71-70 (K).
4. Misalignment over end faces A is not more than 1 mm.
5. Dimension marked with an asterisk (*) is given for reference.

APPROVED	M VASU	98811-037	79/0 2177
CHECKED	<i>[Signature]</i>		
CONTROLLERATE OF INSPECTION (ICV)	LINK	WEIGHT	SCALE
		SHT	SHTS 3
	SHEET 0.5 ГОСТ 19904-74 / 0.8 Кп ГОСТ 16523-70		



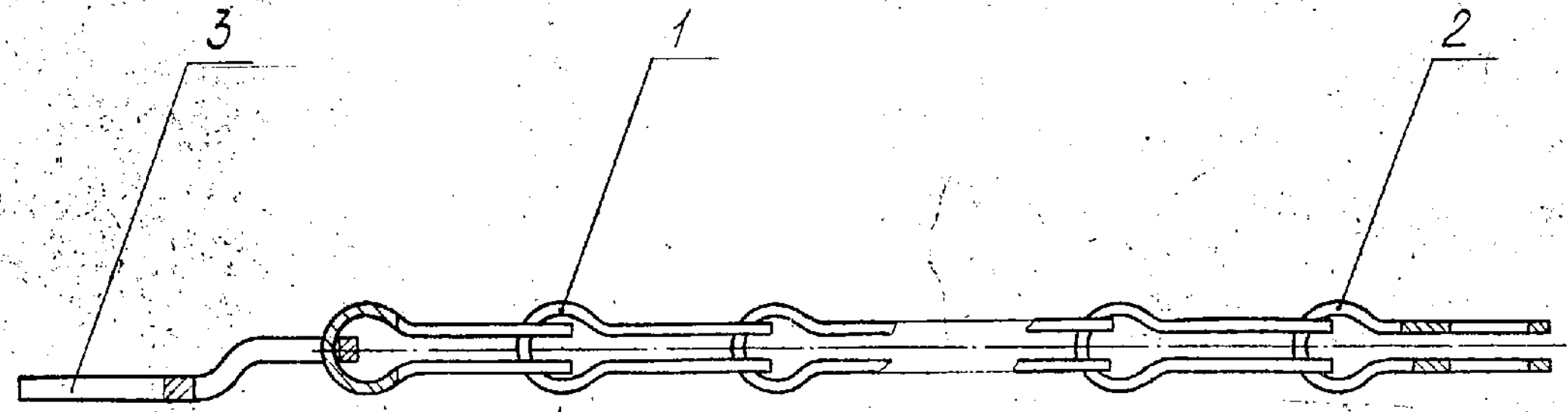
APPROVED	* M VASU	98811-038	80/02177		
CHECKED	<i>[Signature]</i>			WEIGHT	SCALE
CONTROLLERATE OF INSPECTION (ICV)		LINK			4:1
				SHT	SHTS 1
		SHEET 0-5 ГОСТ 19904-74 0-8 КП ГОСТ 16523-70			

ПОД. ПОДМЕТКА SUB. MARK	КОД CODE	ПОС. POS.	ОБОЗНАЧЕНИЕ DESIGNATION	НАИМЕНОВАНИЕ DESCRIPTION	КОЛ-ВО QTY	ОБМ. VOL.	
СВЯЗЬ LINK	98811.240			DOCUMENTATION ДОКУМЕНТАЦИЯ			
		12	98811.120СБ ✓	ASSEMBLY DRAWING СБОРОЧНЫЙ ЧЕРТЕЖ			
				Аircraft PARTS			
		11	1	98811.037 ✓	ЗВЕНО CHAIN	10	
		11	2	98811.038 ✓	ЗВЕНО CHAIN	1	
		11	3	98811.036 ✓	ЗВЕНО CHAIN	1	⊙
					Прочие изделия		⊙
			3		ГР. 8.659.01		⊙
					Ушко Г.Е.О. 384.12570	1	⊙

APPROVED	<i>[Signature]</i> H. VASU	98811-120	7610 2177
CHECKED	<i>[Signature]</i>		
CONTROLLERATE OF INSPECTION (ICV)	CHAIN	WEIGHT	SCALE
		SHT	SHTS 1

98811-120CB A02M-72

Служба 133
Восстановлен с подлинника
Справ. № 98811-120CB
Взвешивание
Подпись
Дата
13.05.72



Mark the appropriate stamp on the tag for the lot according to OCT 3-71-70 (K).

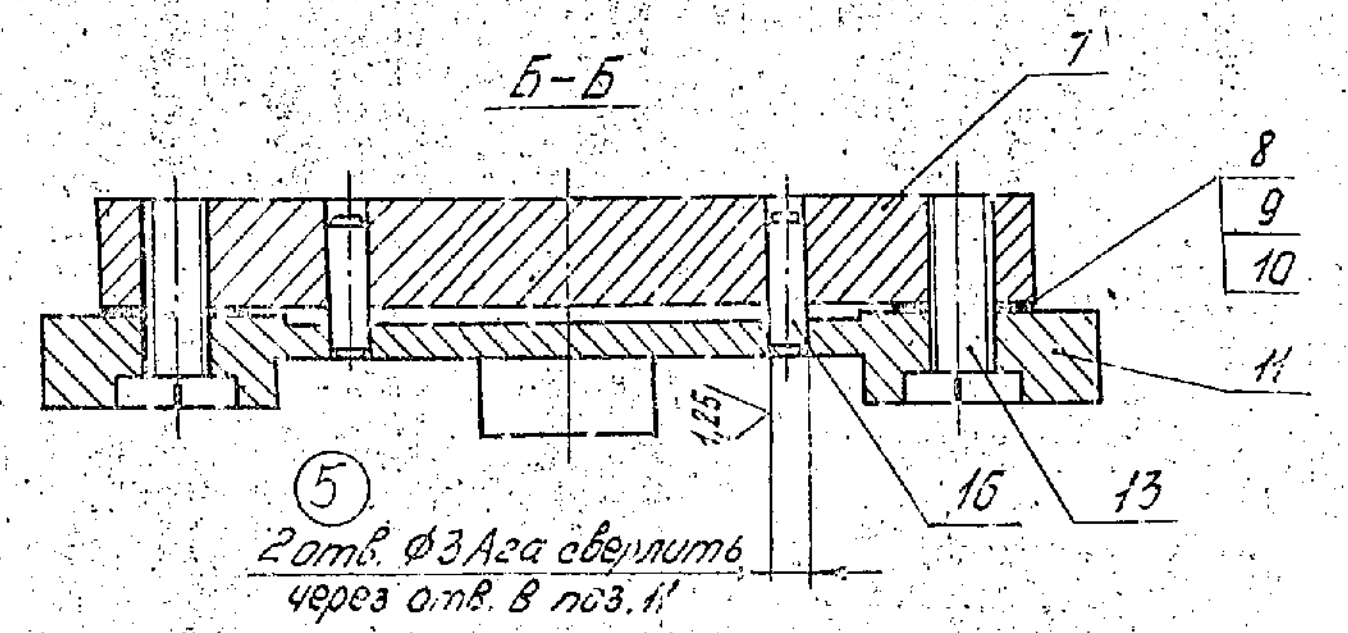
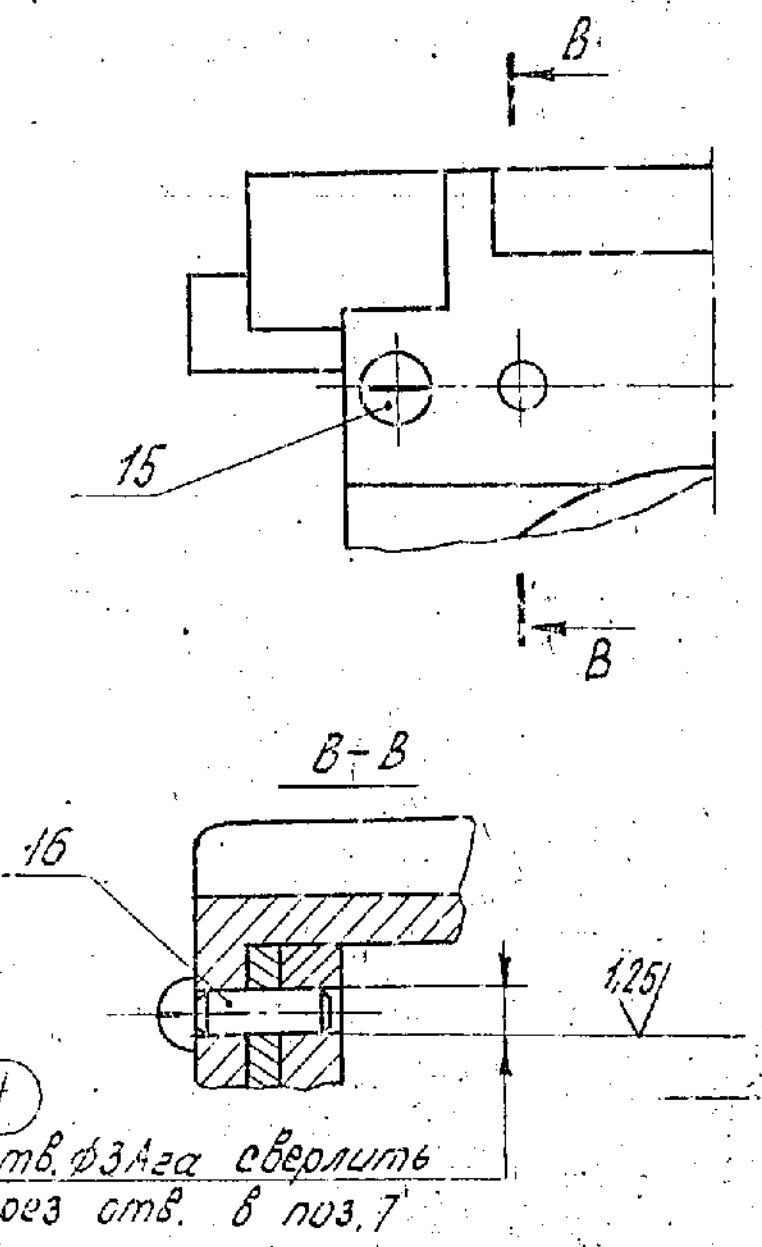
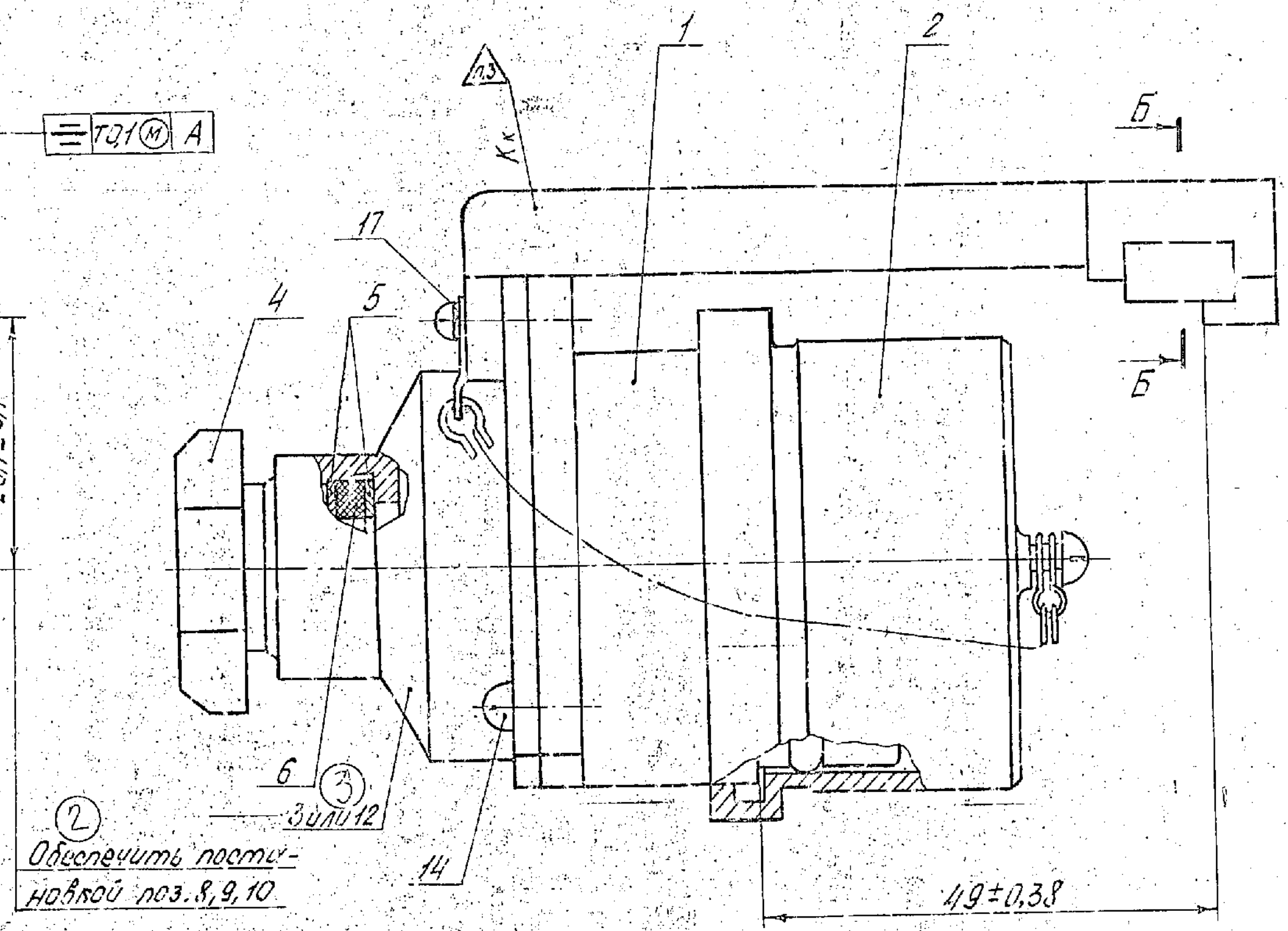
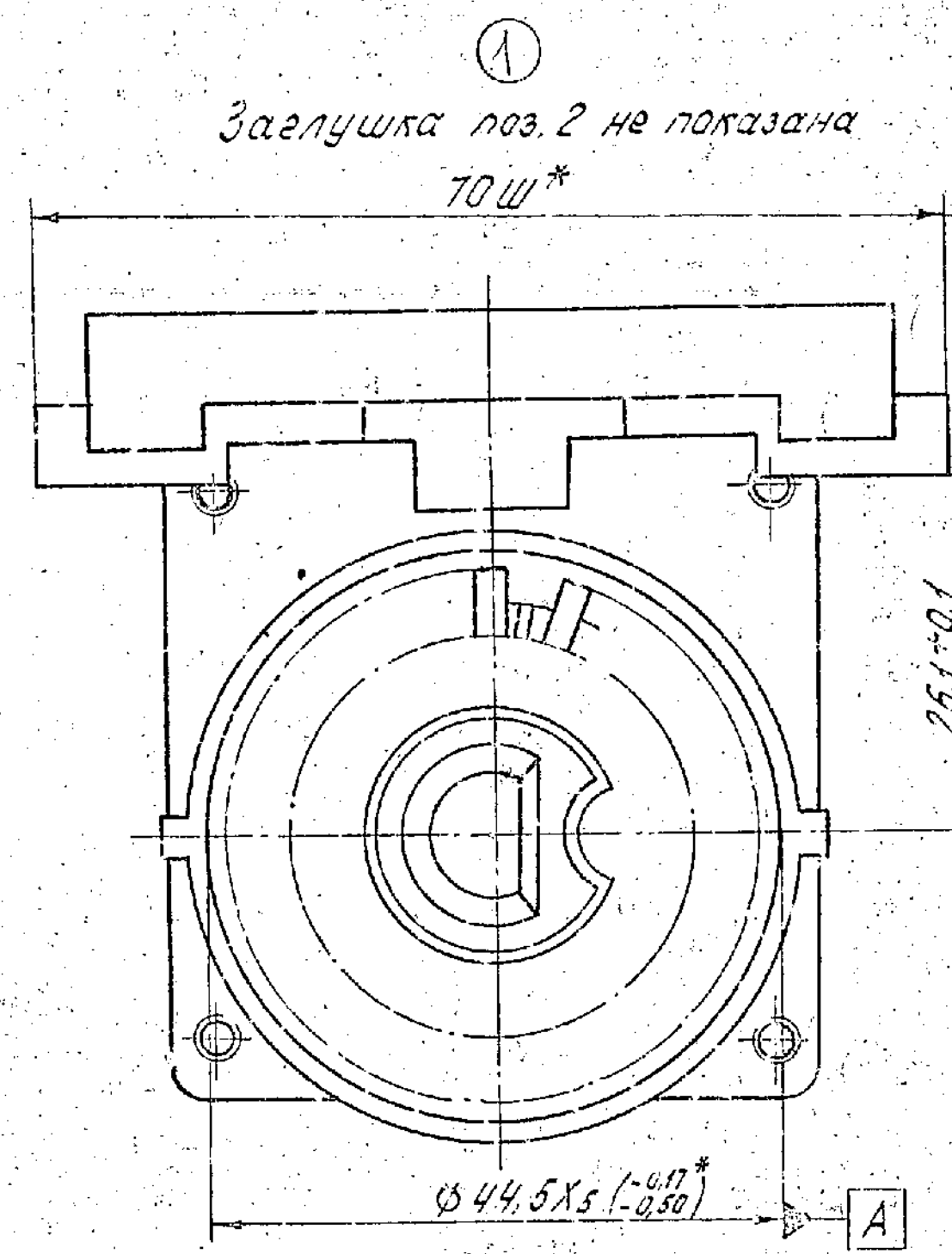
APPROVED	<i>M VASU</i>	98811-120 CB 77/0 2177	
CHECKED	<i>[Signature]</i>	CHAIN ASSEMBLY DRAWING	WEIGHT
CONTROLLERATE OF INSPECTION (ICV)			SCALE
		SHT	SHTS 1

Строч. №	Кол. шт.	Обозначение	DESCRIPTION	Наименование	Кол.	Примечание
Перв. примен.						
				DOCUMENTATION		50
				Документация		
A2		10ПР1-9П135.000СБ ✓	ASSEMBLY DRAWING	Сборочный чертеж		
A3		10ПР1-9П135.000ВС ✓	SPECIFICATIONS LIST	Ведомость спецификаций		
Сборочные единицы						
A4	1	10ПР1-9П135.020 ✓	ASSEMBLY UNITS	Розетка RECEPTACLE	1	
A4	2	10ПР1-9П135.030 ✓		Заглушка PLUG	1	
Детали PARTS						
A4	4	10ПР1-9П135.004 ✓		Гайка NUT	1	
A4	5	10ПР1-9П135.005 ✓		Шайба WASHER	2	
A4	6	10ПР1-9П135.006 ✓		Прокладка GASKET	1	
A4	7	9М111.04.00.105 ✓		Прокладка GASKET	6	
A4	9	9М111.04.00.106 ✓		Прокладка GASKET	2	
A4	10	9М111.04.00.107 ✓		Прокладка GASKET	6	
A3	11	9М111.04.00.125 ✓		Защелка REPAIR HOOK	1	
1118-83						
APPROVED		M. VASU		10ПР1-9П135.000 02177/58		
CHECKED		K. Batakrant		WEIGHT SCALE		
CONTROLLERATE OF INSPECTION (ICV)		CONNECTOR RECEPTACLE		SHT 1 SHTS 2		

Исполн. 02.02.83

10 ПР1-9П135-000 СБ
А.118-13

Восстановлен с пояснениями. Серийный № 10 ПР1-9П135-000 СБ
 Проект от 06.04
 Проверено
 10 ПР1-9П135-000 СБ



- ① Plug, Ref. No. 2, is not shown
- ② Ensured by the installation of parts, Ref. Nos 8, 9, 10
- ③ 3 or 12
- ④ 2 holes, dia. $3A_{2a}$, drill through hole in part, Ref. No. 7
- ⑤ 2 holes, dia. $3A_{2a}$, drill through hole in part, Ref. No. 11
- ⑥ 1. Dimensions marked with an asterisk (*) are given for reference.
2. Parts, Ref. Nos 7, 8, 9, 10, 11, 13, 14, 15, 16, 17 should be installed after laying the cable.
3. Mark the stamp according to OCT 3-7L-70.

- ① * Размеры для справок.
- ② Детали поз. 7, 8, 9, 10, 11, 13, 14, 15, 16, 17 ставить после монтажа кабеля.
- ③ Клеймить по OCT 3-7L-70.

10 ПР1-9П135-000 СБ
 Проект от 06.04
 Проверено
 10 ПР1-9П135-000 СБ

APPROVED	<i>[Signature]</i> M VASU	10 ПР1-9П135-000 СБ	
CHECKED	<i>[Signature]</i>	0 2177/50	
CONTROLLERATE OF INSPECTION (ICV)		CONNECTOR RECEPTACLE ASSEMBLY DRAWING	WEIGHT SCALE
			0-0554 2:1
		SHT	SHTS 1

№ п/п	DESIGNATION Обозначение	DESCRIPTION Наименование	Куда входит DESIGNATION Обозначение		REMARK Примечание
			Parent Unit Код	Qty Кол.	
1					
2	10 ПР1-9П135.000 ✓	Розетка розьема CONNECTOR RECEPTACLE		1	
3					
4					
5					
6					
7	10 ПР1-9П135.020 ✓	Розетка RECEPTACLE	10 ПР1-9П135.000	1	1
8	10 ПР1-9П135.030 ✓	Заглушка PLUG	10 ПР1-9П135.000	1	1
9					
10					
11					
12					
13	9В 811.120 ✓	Цепочка CHAIN	10 ПР1-9П135.030	1	1
14					
15					
16					
17					
18					
19					
20					
21					

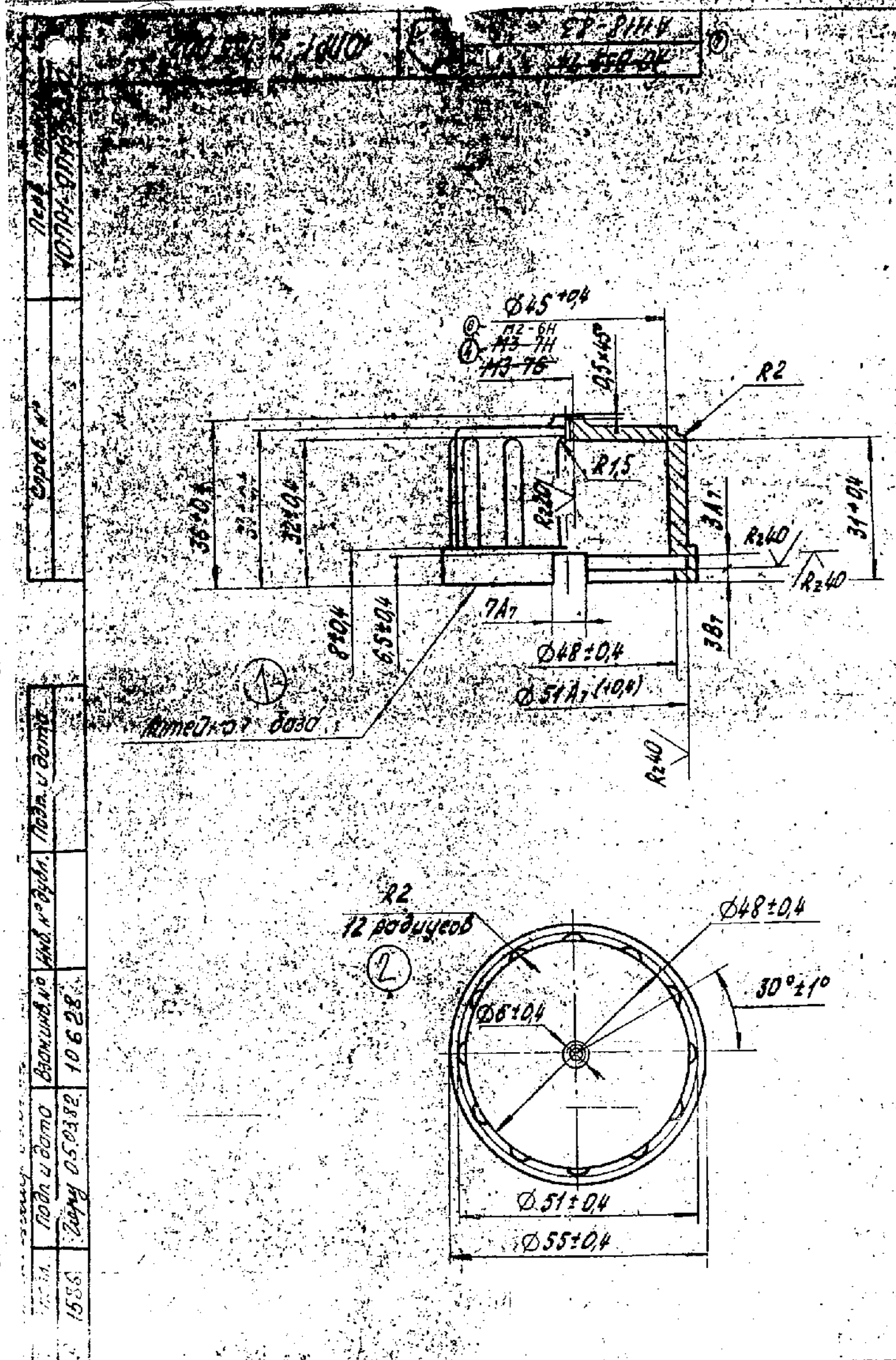
Перв. прием. 10 ПР1-9П135.000

Стор. об. №

Взвешив. № Инв. № 107.84

57/0 2177

APPROVED	<i>[Signature]</i> M VASU	10 ПР1-9П135.000 BC	
CHECKED	<i>[Signature]</i>	CONNECTOR RECEPTACLE SPECIFICATIONS LIST	
CONTROLLERATE OF INSPECTION (ICV)		WEIGHT	SCALE
		SHT	SHTS 1



- 3
1. Литье под давлением.
 2. Заменитель материала отливка АЛ2-Д ОСТ 84-183-79 не более 1°
 3. Формовочные уклоны по ГОСТ 3212-80 в сторону увеличения размеров.
 4. Неуказанные литейные радиусы не более 1.5 мм.
 5. Покрытие Ан.Окс. хром.
 6. Клеймить К по ОСТ 3-71-70 на бирке к партии.
 7. Остальные требования по ОСТ 84-183-79 для отливки группы 2.

- 1 Casting datum surface.
- 2 12 radii
- 3 1. Casting under pressure.
2. Substitute material: casting АЛ2-Д ОСТ 84-183-79.
3. External drafts not to exceed 1°.
4. Unspecified casting radii are not more than 1.5 mm.
5. Coating: anodic oxidization, chromated.
6. Mark the stamp on the tag for the lot according to OGT 3-71-70(K).
7. Other requirements are according to OGT 84-183-79 for castings of group 2.

APPROVED	M VASU	10 ПР1-9 П 135.002		D 2177.05	
CHECKED	[Signature]	PLUG	WEIGHT	SCALE	
CONTROLLERATE OF INSPECTION (ICV)			10.5g	1:1	
			SHT	SHTS	1
		CASTING 2-0AЛ20-Д, ОСТ 84-183-79			

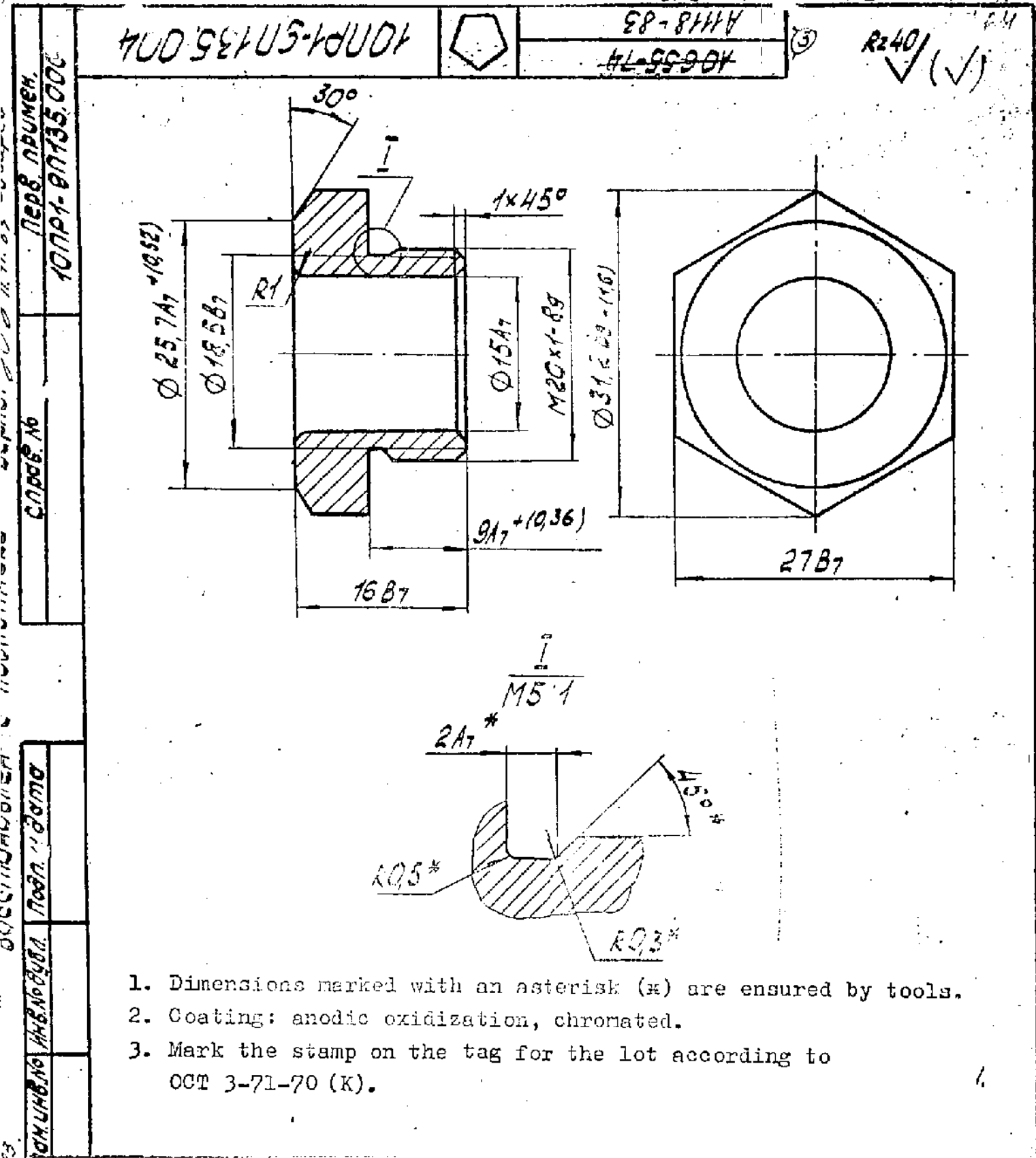
Лист № 10 ПР1-9 П 135.002

Экз. № 1

Лист в сборе

Всего листов 10 из 10

1588

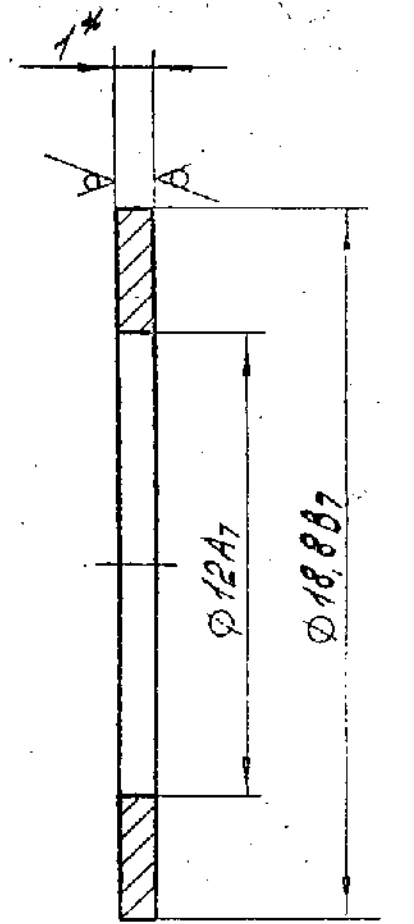


1. Dimensions marked with an asterisk (*) are ensured by tools.
2. Coating: anodic oxidization, chromated.
3. Mark the stamp on the tag for the lot according to OCT 3-71-70 (K).

APPROVED	<i>M. VASU</i>	10ПР1-9П135.004 66/0 2177	
CHECKED	<i>A. Bolshakov</i>	NUT	WEIGHT SCALE
CONTROLLERATE OF INSPECTION (ICV)			0.003 2:1
		ALLOY 15T, ГОСТ 21488-76	SHT SHTS 1

ВОСПРОИЗВОДИТЕЛЬ ПОДЛИННИК
 ВОСПРОИЗВОДИТЕЛЬ ПОДЛИННИК
 ВОСПРОИЗВОДИТЕЛЬ ПОДЛИННИК
 ВОСПРОИЗВОДИТЕЛЬ ПОДЛИННИК

10ПР1-9П135.005
 10ПР1-9П135.005
 10ПР1-9П135.005



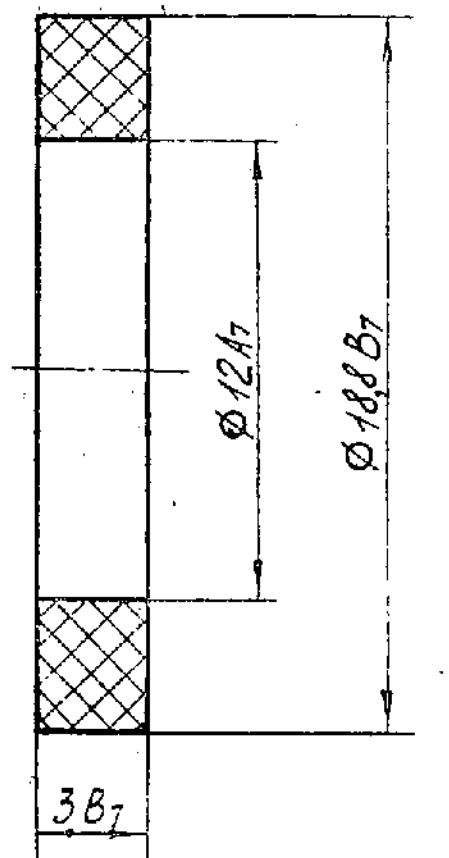
R280
 ✓ (✓)

1. Dimension marked with an asterisk (*) is given for reference.
2. Coating: Kt9 - cadmium plating.
3. Mark the tag for the lot according to OCT 3-71-70 (K).

APPROVED	<i>M. VASU</i>	10ПР1-9П135.005 67/0 2177	
CHECKED	<i>V. Babukhin</i>	WASHER	
CONTROLLERATE OF INSPECTION (ICV)	SHEET - 10 OCT 169.11-70	WEIGHT	SCALE
		0.001	5:1
		SHT	SHTS 1

Верно: <i>М.А. А. А. А.</i>	Перв. прорис.	10ПР1-9П135.006
С.проект. №		
Восстановлен: с подлинника	Взаминв. №	10ПР1-9П135.006
С.проект. №	Инж. Андрей	
	Год и дата	

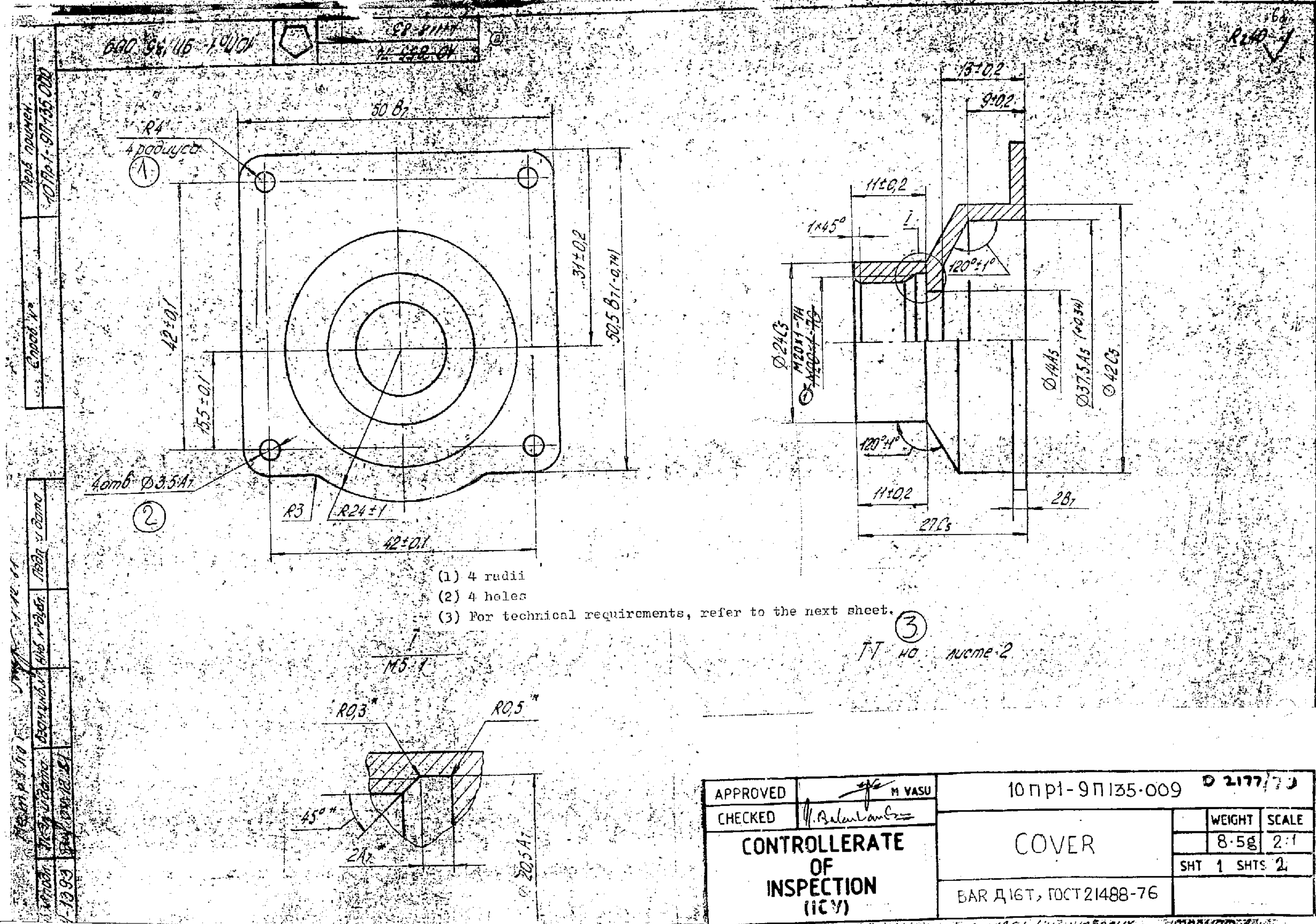
Восстановлено: 11.08.83
 10ПР1-9П135.006



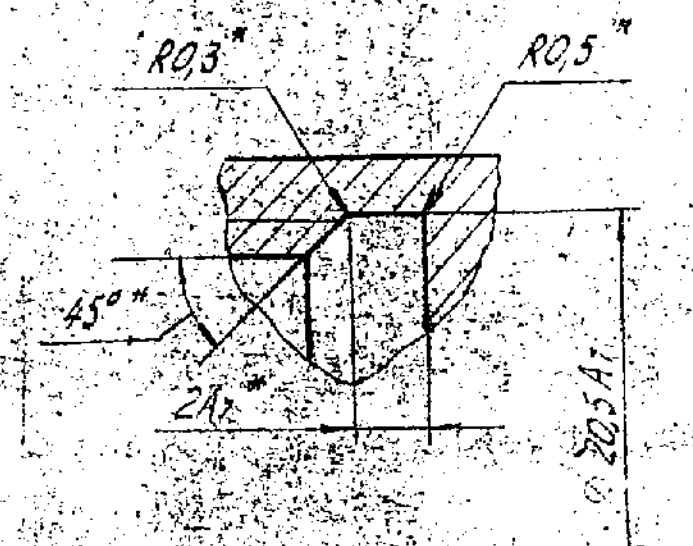
1. Roughness of moulding surfaces of the press mould is 0.63.
2. Dimensions are ensured by tools.
3. Mark the stamp on the tag for the lot according to OCT 3-71-70 (K).
4. Other technical requirements are according to TV 38.10554-76.

APPROVED	<i>[Signature]</i> M VASU	10ПР1-9П135-006	0 2177/60
CHECKED	<i>[Signature]</i>	GASKET	
CONTROL RATE OF INSPECTION ИСП		RUBBER STOCK	WEIGHT SCALE
		TY 38.005.1166-72	1.56 5.4
		SHT	SHTS 1

Копирован вручную



- (1) 4 radii
- (2) 4 holes
- (3) For technical requirements, refer to the next sheet.



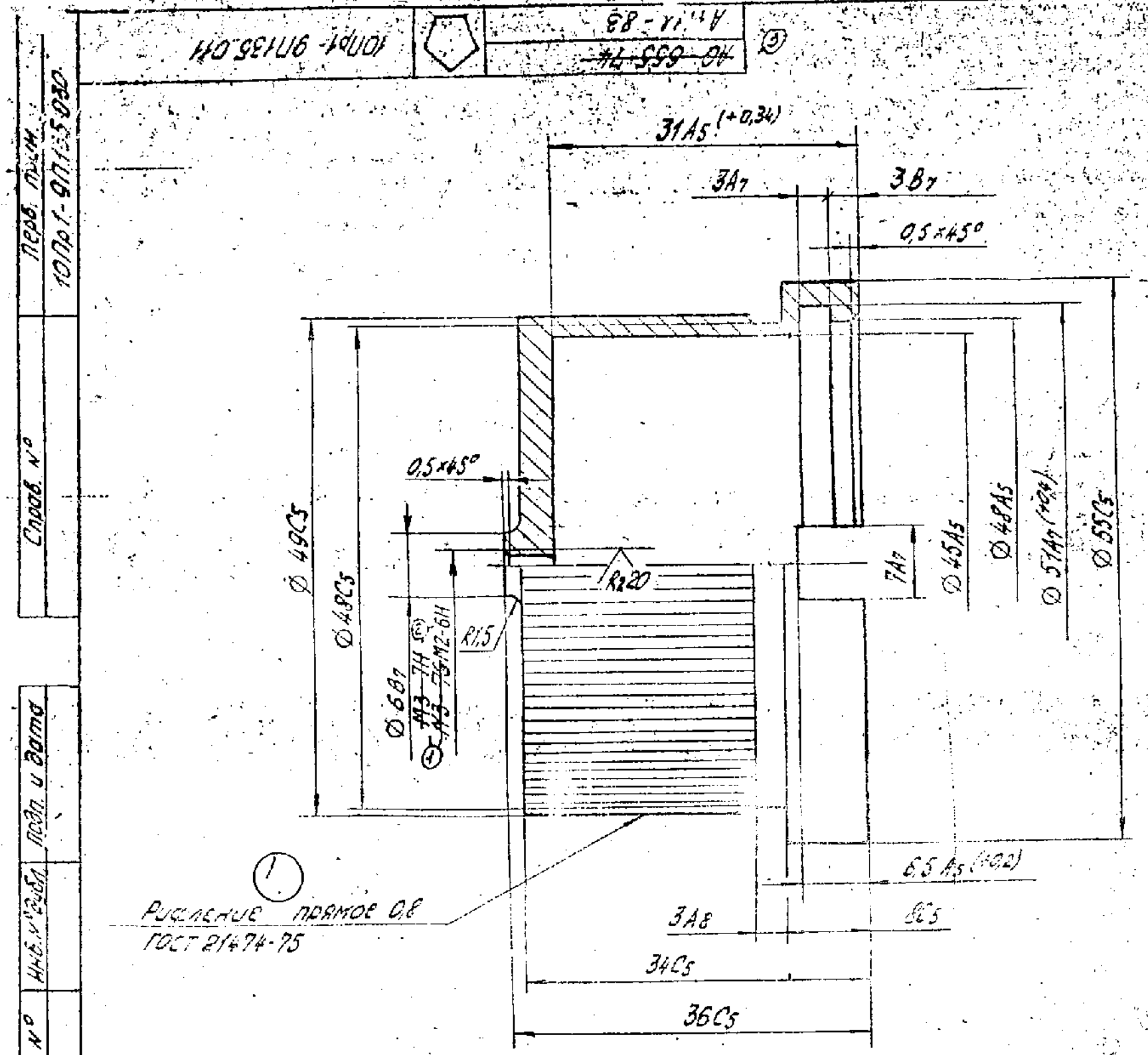
APPROVED	<i>[Signature]</i> M VASU	10п1-9п135-009	D 2177/73
CHECKED	<i>[Signature]</i>	COVER	WEIGHT SCALE
CONTROLLERATE OF INSPECTION (ICV)			8.5g
		SHT 1 SHTS 2	
		BAR Д16Т, ГОСТ 21488-76	

10 ПР1-9 П135.009

- 1. Dimensions marked with an asterisk (*) are ensured by tools.
- 2. Coating: anodic oxidization, chromated.
- 3. Mark the appropriate stamp on the tag for the lot according to OCT 3-71-70 (K).

10 ПР1-9 П135.009

APPROVED	<i>[Signature]</i>	10 ПР1-9 П135.009	0 2177/71
CHECKED	<i>[Signature]</i>	COVER	WEIGHT SCALE
CONTROLLERATE OF INSPECTION (ICV)			SHT 2 SHTS 2



- (1) Straight grooving 0.8, ГОСТ 21474-75
- (2) 1. Coating: anodic oxidization, chromated.
- 2. Mark the appropriate stamp on the tag for the lot according to OCT 3-71-70 (K).

②
 1. Покрытые Ан. Окс. хр.
 2. клеймить К по ОСТ 3-71-70 на длине К
 партии.

Терм. режим 1010P1-9П135.011
 Склад. №
 Подп. и дата
 Инв. №
 Лист. №
 Подп. и дата
 Инв. №

APPROVED	M VASU	10П1-9П135.011	0 2177/11.
CHECKED	<i>[Signature]</i>		
CONTROLLERATE OF INSPECTION (ICVI)		PLUG	WEIGHT SCALE 10g 2:1
		BAR II 16T, ГОСТ 21462-76	SHT SHTS 1

10П1-9П135-012

72



- 1. Casting under pressure.
- 2. Substitute material: alloy Al2, ГОСТ 2685-75.
- 3.* Dimensions marked with an asterisk (*) are ensured by tools.
- 5. External drafts not to exceed 1°.
- 4. Unspecified casting radii are not more than 1.5 mm.
- 5. Coating: anodic oxidization, chromated.
- 6. Mark the appropriate stamp on the tag for the lot according to OCT 3-71-70 (K).
- 7. Other technical requirements are according to OCT B84-183-79 for castings of Group 2.

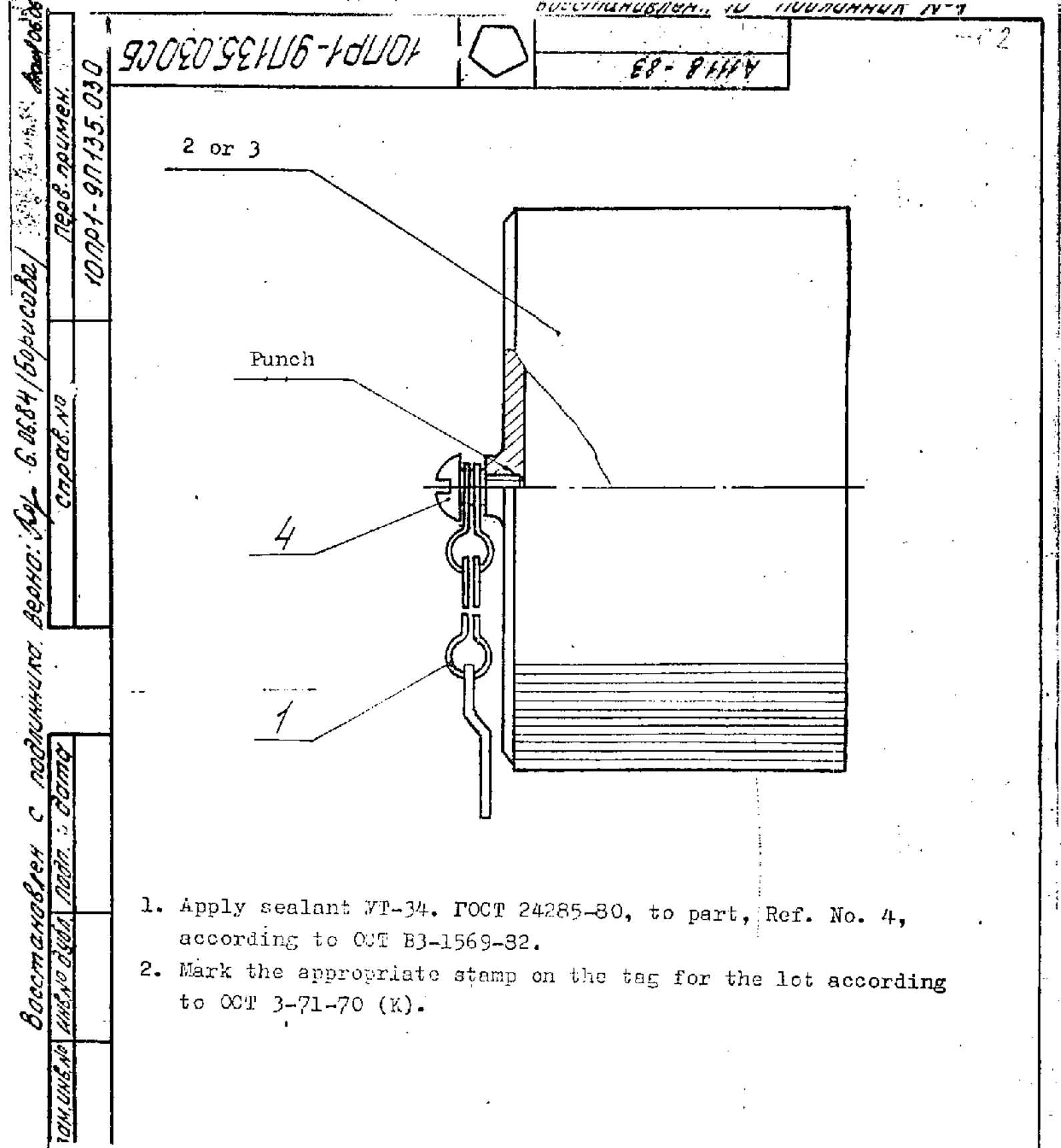
ГОСТ 1301-73

APPROVED	<i>[Signature]</i> M VASU	10П1-9П135-012	0 2177 74
CHECKED	<i>[Signature]</i>	COVER	WEIGHT
CONTROLLERATE OF INSPECTION (ICV)			SCALE
		SHT 2	SHTS 2

Контр. №	Сбор. №	Поз. №	DESIGNATION	DESCRIPTION	QTY	REMARKS
			Обозначение	Наименование	Кол.	Замечание
				DOCUMENTATION		
				Документация		
				ASSEMBLY DRAWING		
				Сборочный чертеж		
				ASSEMBLY UNITS		
				Сборочные единицы		
		A4	1 9B811.120 ✓	Цепочка CHAIN	1	
				Детали PARTS		
		A3	2 10ПР1-9П135.002 ✓	Заглушка PLUG		(1 PC.) 1 шт. INTER- СЛУСЬ, CHANGEABLE ЗАМЕНИ (SEE NO. 3) НО ПОЗ. 3
		A3	3 10ПР1-9П135.011 ✓	Заглушка PLUG		(1 PC.) 1 шт. INTERCH- СЛУСЬ, CHANGEABLE ЗАМЕНИ (SEE NO. 2) НО ПОЗ. 2
		A4	4 9B811.039 ✓	ВУИТИ SCREW	1	

И. КОСМЯК
06.01.82

APPROVED	 M. YASU	10ПР1-9П135-030	02177/63	
CHECKED		PLUG	WEIGHT	SCALE
CONTROLLERATE OF INSPECTION (ICV)			SHT	SHTS 1



APPROVED	<i>[Signature]</i> M VASU	10ПР1-9П135.030СБ 0 2177/624	
CHECKED	<i>[Signature]</i>	PLUG	WEIGHT SCALE
CONTROLLERATE OF INSPECTION (КВ)		ASSEMBLY DRAWING	0.011 2:1
			SHT SHTS 1

КОПИРОВАНА Стрелкова ФОРМАТ 11

Восстановлен с подлинника. Верно. Ды. 6.684/Борисова/ Перев. артикул. 10ПР1-9П135.030
 Техническое задание № 10001. Лист 3 из 3