

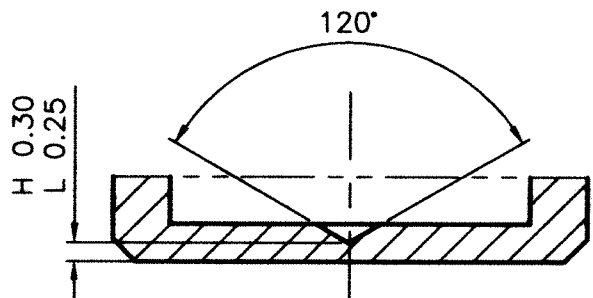
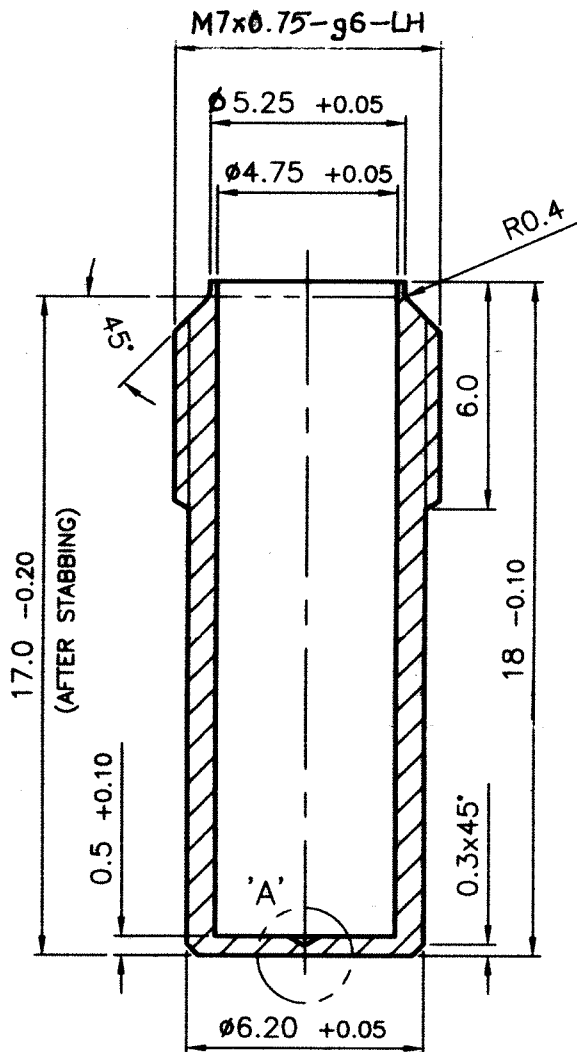
DRG. NO : FS-2487'B'

TOLERANCE ON UNTOLERATED DIMNS. ARE AS PER IS: 2102, MEDIUM CLASS

PROVISIONAL

A M E N D M E N T S

REV.	DATE	DESCRIPTION	SIGN.
A 24/5/04	10.08.04	Alternate material added	<i>Be</i>
18 06	12.01 06	ALT. MATERIAL DELETED DRG. ADV. TO 'B'	<i>Be</i> AMMIR/20



MATERIAL: BS 970 : Part 3 : 1991
Grade 430S17 COLD DRAWN

3.2/

DIMENSIONS ARE IN mm			MATERIAL : AS ABOVE		ORDNANCE FACTORY AMBAJHARI
THIRD ANGLE PROJECTION			NOMENCLATURE :		
SCALE : 5 : 1			MAGAZINE TUBE		DRG. NO : FS-2487'B'
2004	NAME	DATE			SHEET NO : 1
DRAWN	<i>Prakash</i>	02/03/04			NO. OF SHEETS : 1
REDRAWN					OPERATION NO :
CHECKED	<i>Prakash</i>	03/03/04			COMPT. : FUZE M859
JWM/CDD	<i>Prakash</i>	03/03/04			
APPVD	JGM/R&D	<i>Be</i>			03/03/04