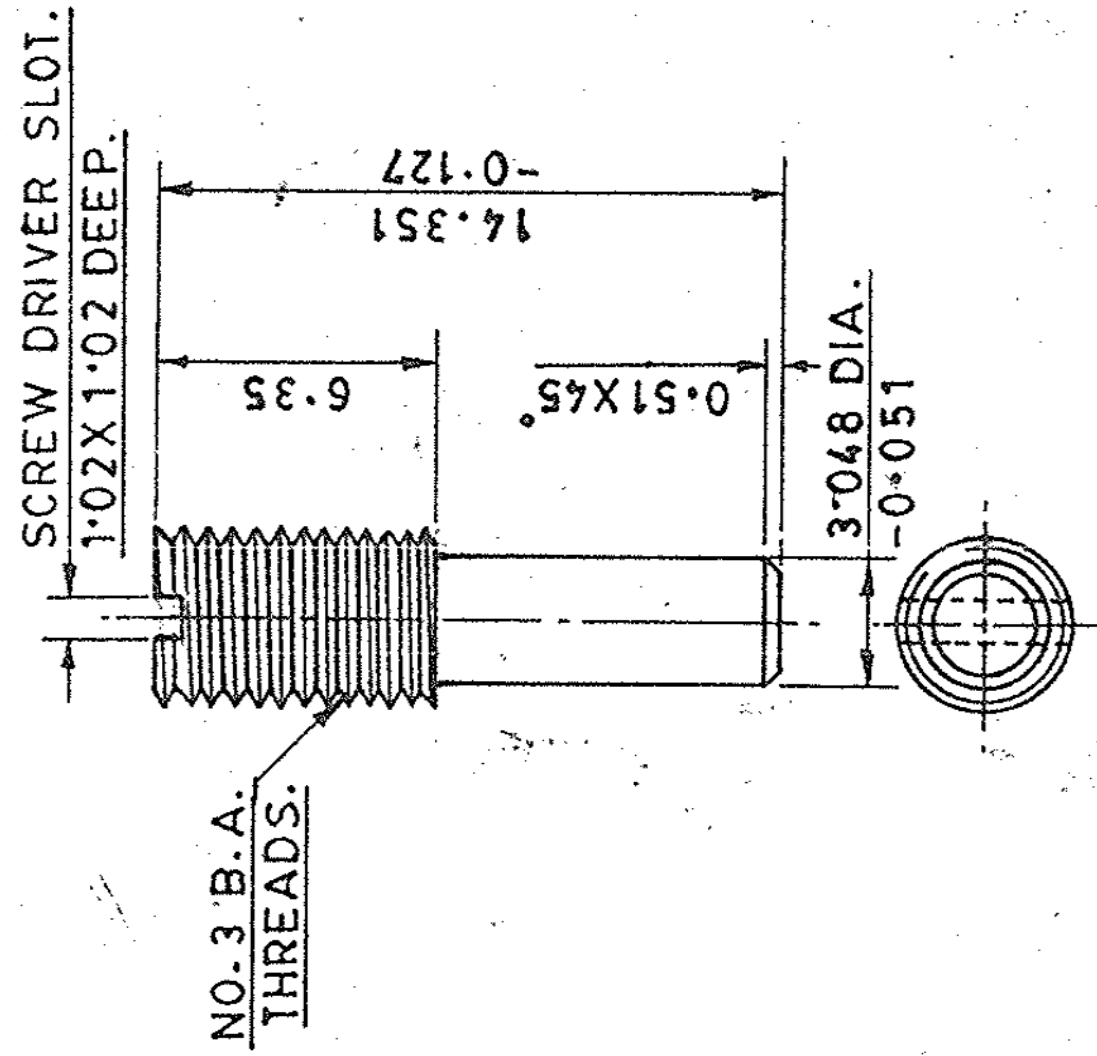


1105011  
D.S.CAT. NO.

DIMNS. ARE IN mm.



NOTE:-

ALT. MATL:- IS: 9550 Grd. 4 OR IS: 1570 C-40.

FOR EXPLANATION OF DETAILS WHEREVER NOT SPECIFIED  
REFER D.D. NOTE SHEET NO.3 (LATEST ISSUE).

METRIC

03-02-99	24262-SA	PROFORMA CHANGED, NEG. RE-TRACED & DRG. RE-SEALED PREVIOUS D. C. NOS. 14799-SA, 15870-SA, 17152-SA, 22093-SA, 22760-SA & 22981-SA.	And B. Bin CO DAC
DATE	AUTHY.	BRIEF RECORD	COPY COPY
SEALED:-	D.C. 14799-SA, DT. 22.9.76	ZONE	I/C; D.O. G.O.
DRN.	CHD.	TRD. SHAWND COMP. <i>M. Banerjee</i>	SIGN.
SCALE:-	4:1	EST. MASS.	
DT. 03-2-99	<i>Andas</i>	APPROVED. DT. 26.6.67 NEG. RE-TRACED	
MATERIAL:-	STEEL BS: 970 Pt. 1-1983 SEC. 2 Grd. 080 M-40.		
H.T./HARDNESS:			
PROTECTIVE	PHOSPHATE TO SPECN. JSS: 0465-01;		
FINISH:-	1988 CLASS-II (ACCELERATED), OIL FINISH		
NOMENCLATURE:-	<b>SCREW CATCH</b>		
		AHSP. CQA(SA), ICHAPUR	
		ASSY. 1005-001747, 1005-001719 & ICR-62A	
		DGNR'S REF.	ARDE 929/10
		PART NO.	
		DRG. NO.	
		D.S.CAT. NO.	5305-005011