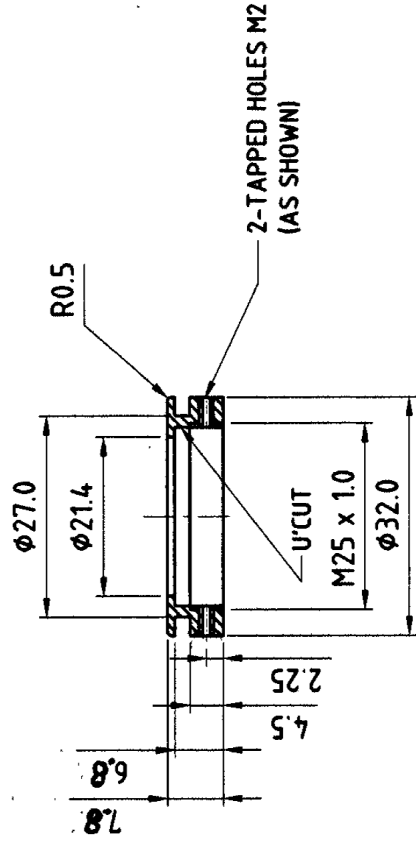
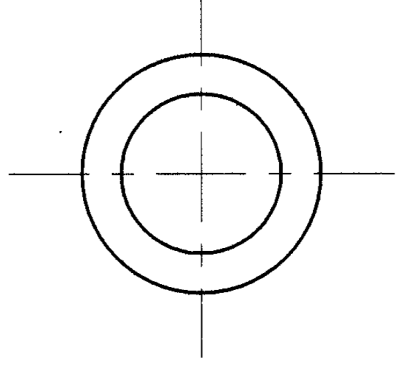


# MODIFIED PASSIVE NIGHT SIGHT FOR 12.7 A.D. GUN

## RING RETAINING, E.P.



MATL. & SPECN. :- AL. ALLOY ROD 24345-WP IS: 733-1983

FINISH:- ANODISED DULL BLACK,

EXTERNAL SURFACE TO BE DULL BLACK POWDER COATED

DIMENSIONS ARE IN M/M.  
IMPORTANT DIMENSIONS MARKED THUS ●  
INFORMATION MARKED THUS † TO BE MARKED ON.

|                                  |                    |                |                |
|----------------------------------|--------------------|----------------|----------------|
|                                  | DR. - P. C. SINGH  | DT. 09-10-10   | SCALE - 1:1    |
|                                  | TR. -              | MATL. AS ABOVE | TREAL AS ABOVE |
|                                  | CH.                | SHEETS-1       | SHTS.-1        |
| D.A. No. 20/2016 DT.- 06/07/2016 | APPROVED.          | DRAWING NO -   |                |
| AMENDMENTS.                      | <i>[Signature]</i> | CWC 220/2214   |                |