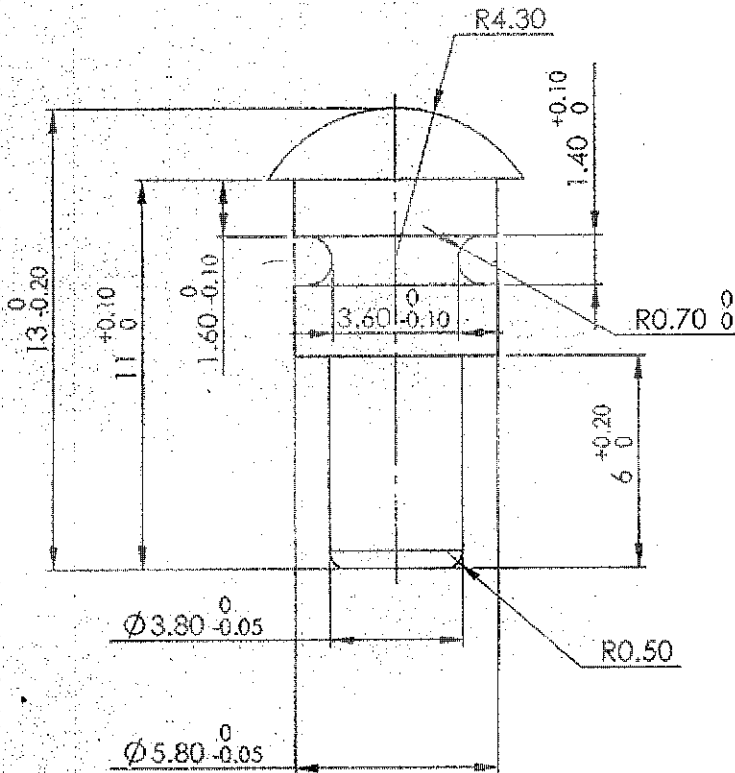
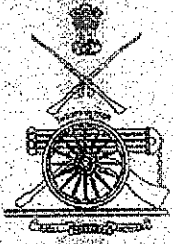


DRG'NO

DIMENSIONS ARE IN mm.

UNTOLERATED DIMNS. AS PER IS : 2102 (MED)

MARK DRAWING No.



UNCONTROLLED COPY

CERTIFIED UNCONTROLLED COPY

DATE: 21/04/18

Design & Drawing Office

Ordnance Factory,

Tiruchirappalli 620018

Material :

Steel

BS:1429-1980 Gr.070 A72 (OR) EN42

BS:970 Pt.1 1983 Gr.708 M40 (or) EN19A

BS:970 Pt.1 1983 Gr.709 M40 (or) EN19

BS:970 Pt.1 1983 Sec.3 Gr.080 M40 (or) EN8, 8A,8B, 8C,8D

BS:970 Pt.1 1983 Sec.3 Gr.070 M55 (or) EN9

Hardness: 400-450 HV

Protective Finish :

Accelerated Phosphating to Specn.

JSS: 0465-01-1994 Class II Oil Finish

AMENDMENTS	SIG. & DATE		SIGNATURE & DATE	SUB: Pivot Pin	SCALE NTS
		TRACED		FOR: Receiver Assy	OPG 1
		DRAWN		OF: TRICHY ASSAULT RIFLE	Weight 11.76
		CHECKED		DES. REF. NO. K-4009	SHEETS: 1
		OIC/D&DO	<i>P. T. Jagan</i>	DRG. No.: TAR-K-4009	SHEET No.: 1
		OFFICER/PRODN.			ORDNANCE FACTORY TIRUCHIRAPPALLI-16.
		DIV. OFFICER/D&DO	<i>R. K. ...</i>		
		APPROVED ON: 13/04/2018			