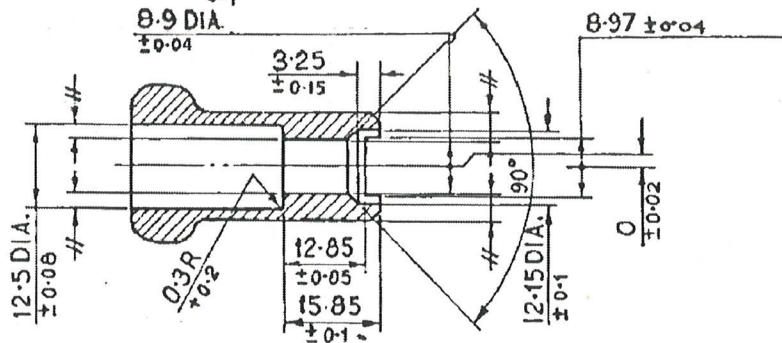
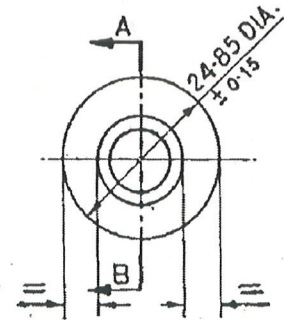
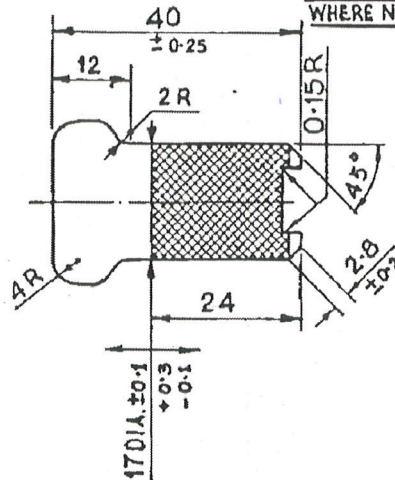
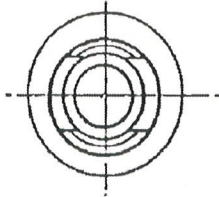


NO. QS/ISO-9000/DO/01  
 REV. NO. 00-DT. 09-06-2001

D.A. NO.

MARKING (SUITABLY) ON SAMPLE :-  
 MANUFACTURER'S CODE :  
 Yr. of Mfg.  
 D.S. CAT. No.

SURFACE FINISH :-  
 AS PER IS: 3073  
 WHERE NOT SPECIFIED SHOULD BE  $\nabla$



SECTION-AB

MATERIAL, BS 1474:1987 GR.2014 A.

H.T./ HARDNESS. MIN. 110 HB 10/500 (130 HV)

DIMENSIONS ARE IN mm.

GUN MACHINE 7.62mm

HANDLE, COCKING SLIDE

WITHOUT ANODIZING

SCALE

1 : 1



SMALL ARMS FACTORY  
 KANPUR

DRAWN TRACED CHKD.

*Mishra*

DATE 20-02-2016

APPROVED

*Mishra*  
 JWM/DDO

DRG.NO.

SKM-1004

SHEET 1 OF 1

ORIGINAL