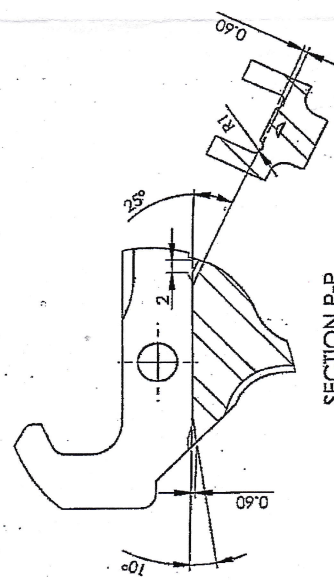
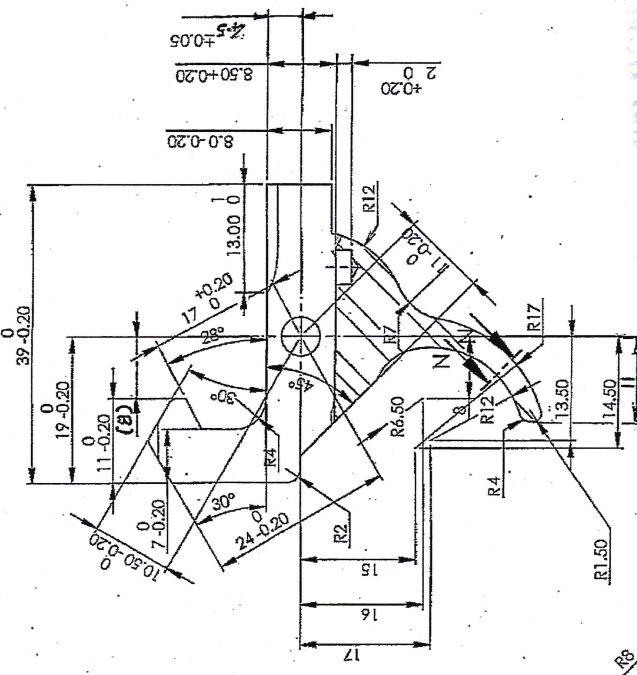


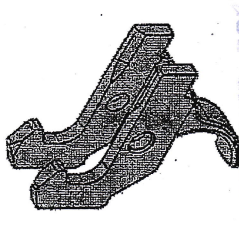
SECTION N-N
Enlarged



SECTION P-P
Cropped



SECTION J-J



CERTIFIED COPY
OF APPROVED DRAWINGS
AT TIRUCHIRAPPALLI
Ordance Factory
Tiruchirappalli-16

14/11/2019

MARKING :-
 * MANUFACTURER CODE
 † BATCH / YEAR OF MANUFACTURE
 ‡ ENGRAVING DEPTH 0.1MM ± HEIGHT 0.1MM

Material :-
 Forging OFT Drg. No.
 BS:970 Pt.1 1983 Cr-817 M40 [En-24]
 BS:970 Pt.1 1983 Cr-826 M31 [En-25]
 BS:970 Pt.1 1983 Cr-826 M40 [En-26]

Hardness: 415-480 HV
 Protective Finish:
 Phosphating to Specn. JSS
 0465-01-1994 Class II Oil Finish

Pilot Sample to be get approved before bulk production

SUB: Trigger	SIGNATURE & DATE:
FOR: General Assy	TRACED
OF: TRICHY ASSAULT RIFLE	DRAWN
DES. REF. NO. K-2064	CHECKED
DRG. No. TAR-K-2064-4	OIC/D&DO
ORDNANCE FACTORY TIRUCHIRAPPALLI-16	OFFICER/PRODDN.
	DIV. OFFICER/D&DO
	SIG. & DATE

DA. NO. 49/20	SIG. & DATE
DT. 24/11/20	
DA. NO. 16/20	
DT. 18.3.20	
DA. NO. 15/20	
Dr. Advanced as per Trial	
K-2064-ALT DS. 31.01.2020	
AMENDMENTS	

UN CONTROLLED COPY

DIMENSIONS ARE IN mm
 IMPORTANT DIMS. MARKED THIS ⊕
 INFORMATION MARKED THIS † TO BE MARKED ON.
 UN TOLERATED DIMS. AS PER IS: 2102(MEDIUM) *2

