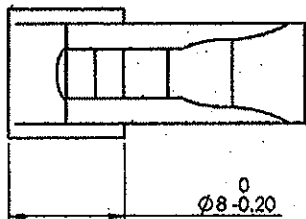
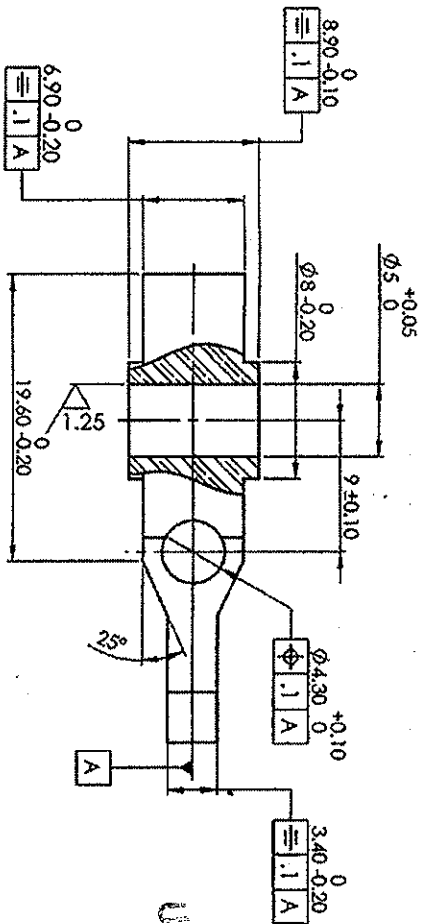


SECTION I-I



CERTIFIED COPY  
 OF APPROVED DRAWING  
 AT THIS DATE 01-16-2017

Design & Drawing Office

Ordnance Factory,  
 Tiruchirappalli-620016.

Protective Finish :  
 Accelerated Propagating to Specn.  
 JSS: 0465-01-1994 Class II Oil Finish  
 Untolerated Dimens. as per IS:2102 (MED)

Material:-  
 Forging

BS:970 Pt.1 1983 Gr 817 M40 (En24)  
 BS:970 Pt.1 1983 Gr 826 M31 (En25)  
 BS:970 Pt.1 1983 Gr 826 M40 (En26)

For MIM Route : MIM-S7

Hardness: 400-450 HV

Pilot Sample to be get approved before bulk production

SIGNATURE & DATE		SCALE	
TRACED	DATE	1:1	
DRAWN		qpc	1
CHECKED		Weight	10.94
OIC/De&DO			
OFFICER/PRODN.			
DIV/OFFICER/DRDO			
APPROVED ON: 12/12/2017			
SUB: DISCONNECTOR		SHEETS: 1	
FOR: Firing & Trigger Mech.		SHEET No.: 1	
OF: TRICHY ASSAULT RIFLE			
DES. REF. NO. K-2065			
DRG. NO. K-2065			
ORDNANCE FACTORY TIRUCHIRAPPALLI-16			



29/12/17