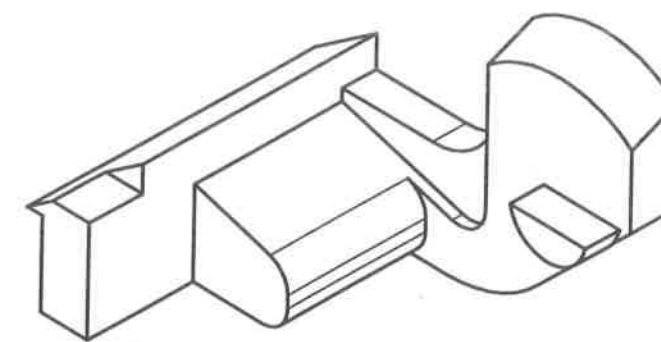
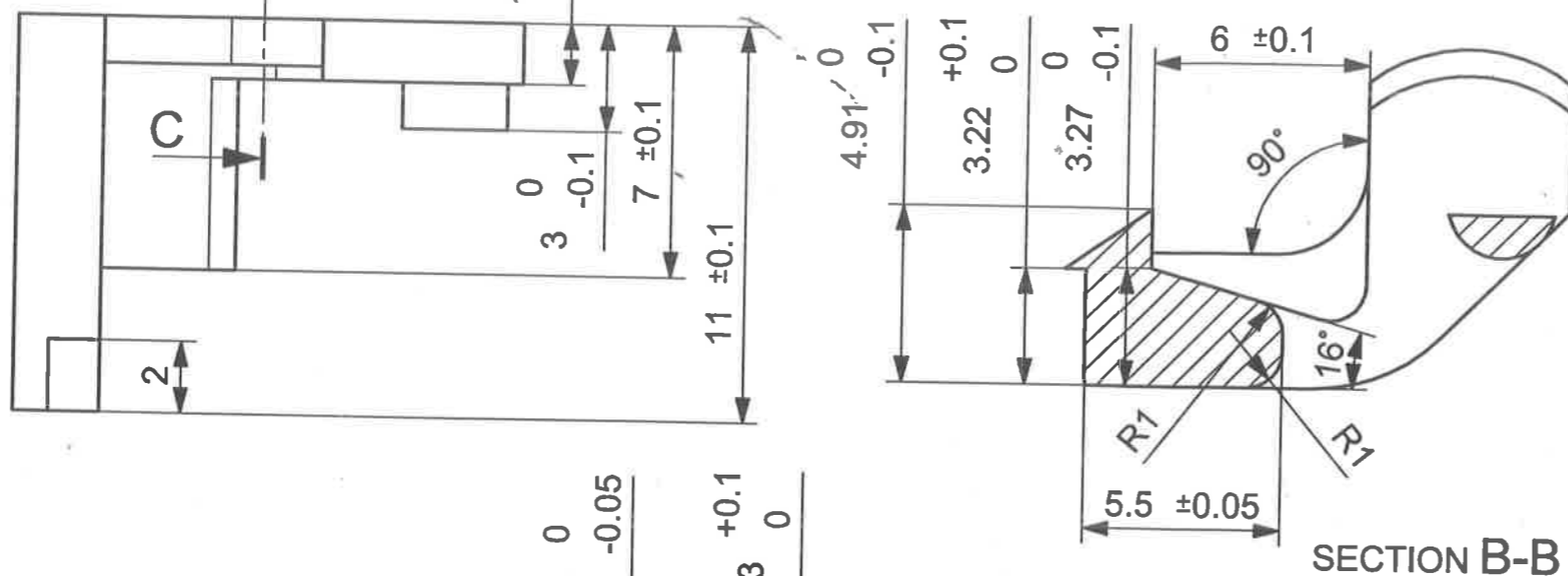
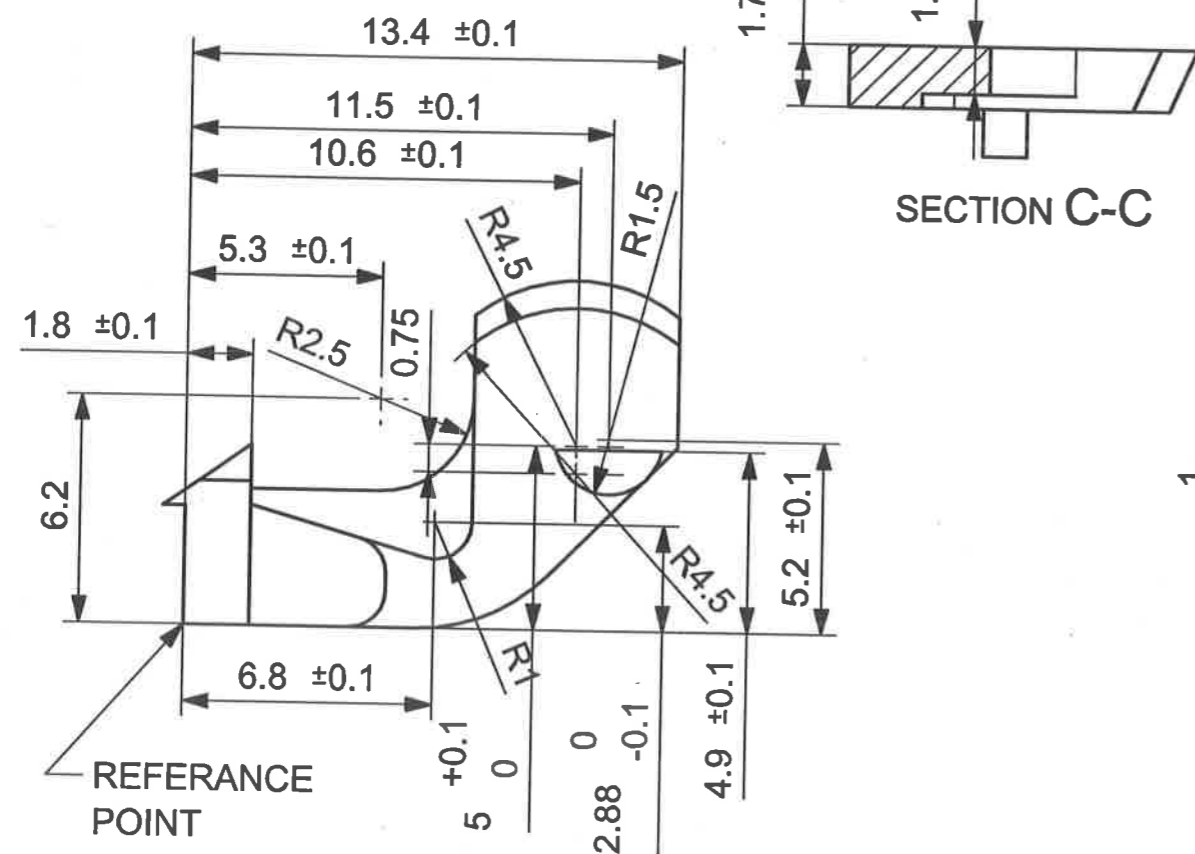


D. A. NO.

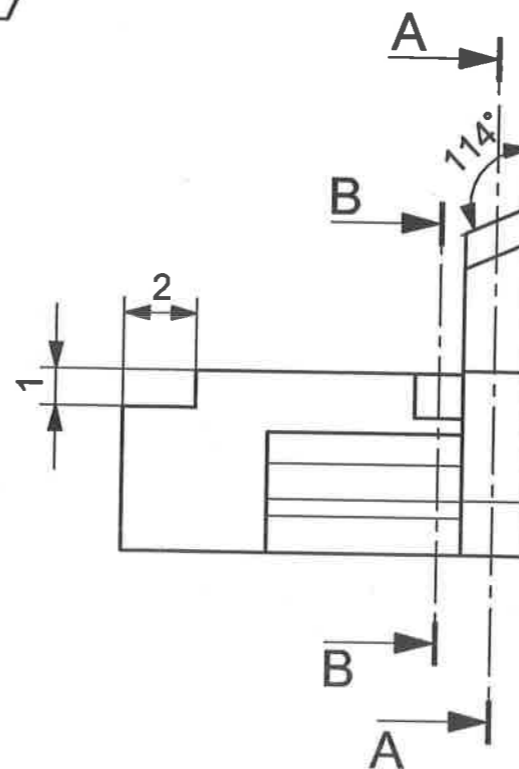


ISOMETRIC VIEW

SECTION B-B



SECTION C-C



SECTION A-A

MATERIAL:- STEEL BS970 Pt.1:1983 Gd.817M40 (En-24) OR 826M40 (En-26)

HEAT TREATMENT:- HARDENED & TEMPERED TO 528 - 613 H.V. (51-56 HRC)

PROTECTIVE FINISH:-PHOSPHATED TO SPECN. J.S.S.-0465-01:1988 CLASS II (ACCELERATED) OIL FINISH OR HARD CHROME PLATING.

DIMENSIONS ARE IN MM.

REVOLVER.32 (7.65 mm) SIDE SWING CYLINDER LATCH SCALE 5 : 1 	DESIGNED BY	A.S.RANA
	CHECKED BY	JWM/DDO
	APPROVED BY	WM/DDO
	DATE	29.06.2019
SMALL ARMS FACTORY KANPUR		DRAWING NO. RV-03/12 SW SHEET 1 OF 1 A3