

MATERIAL-- STEEL BS: 970 PL.1 1983 GR 070 MS5 (OR) En 9
 STEEL BS: 970 PL.1 1983 GR 709 M40 (OR) En 19

HT/HARDNESS-- HARDENING AND TEMPERING 325-375 HV

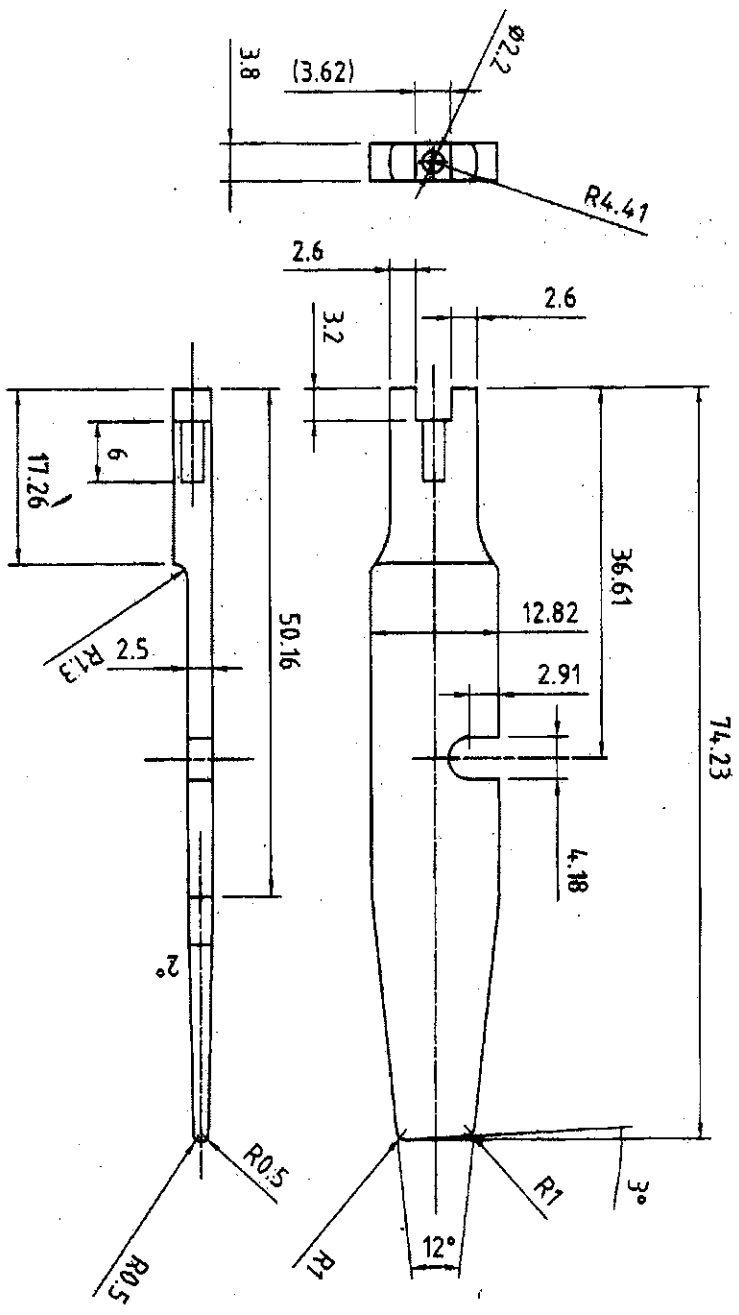
PROTECTIVE FINISH--
 PHOSPHATE TO SPECN. JSS-0465-01:1994
 CLASS II (ACCELERATED), OIL FINISH.

GENERATED COMPUTER COPY
 OF APPROVED DRAWING
 AT THIS DATE 6/4/88

Design & Drawing Office
 Ordnance Factory
 Tiruchirappalli-620016

UN CONTROLLED COPY

K 9006



DIMENSIONS ARE IN MM.
 UNFRACTIONATED DIMS. AS PER IS : 2102 (MFD)
 MARK DRAWING NO.

DRAWING		REVISIONS	
NO.	DESCRIPTION	NO.	DESCRIPTION
1	AS DESIGNED		

DESIGNER	DATE	CHECKED	DATE

TITLED	DATE	SCALE

NO. OF SHEETS	TOTAL SHEETS
1	1

PROJECT NO.	DATE

DESIGNED BY	DATE

NO. OF SHEETS	TOTAL SHEETS
1	1

NO. OF SHEETS	TOTAL SHEETS
1	1



ORDNANCE FACTORY
 TIRUCHIRAPPALLI-16.