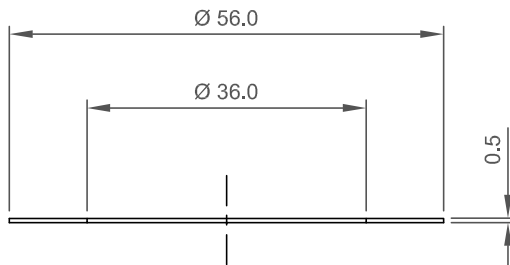
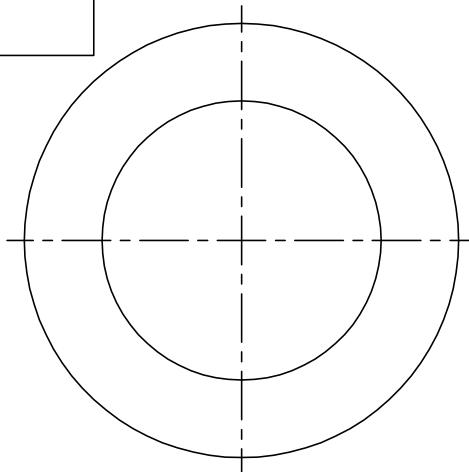


DRG.CONVENTIONS CONFORM TO IS : 696
DIMNS ARE IN mm

GEN TOL :-



MATERIAL:-

GLAZED BOARD SUPERCALENDERED AMMN TO SPECN J.S.S.1215
OR MILL BOARD & MILL BOARD AMMN. TO SPECN. J.S.S. 1-51-01

SR. NO.	DATE	AUTHORITY	BRIFF RECORD		ZONE	CD	GO
						SIGN	

DRG SEALED

DRN ALS	CHD	TRD	COMP	ASSY DRG. 671/6
CD	PASSED	SCALE :- 1:1 EET WEIGHT		DESIGN AUTHORITY
APPROVED		GUAGE SCHD		ERDL PUNE-21
FOR DIRECTOR		DATE :- 4.7.84		

MATL:- AS ON DRG.

PROTECTIVE FINISH:-

DRG NO		
ERDL DRG 671		
DET 9	SHTS	SHT

PAPER WASHER

PART NO.

