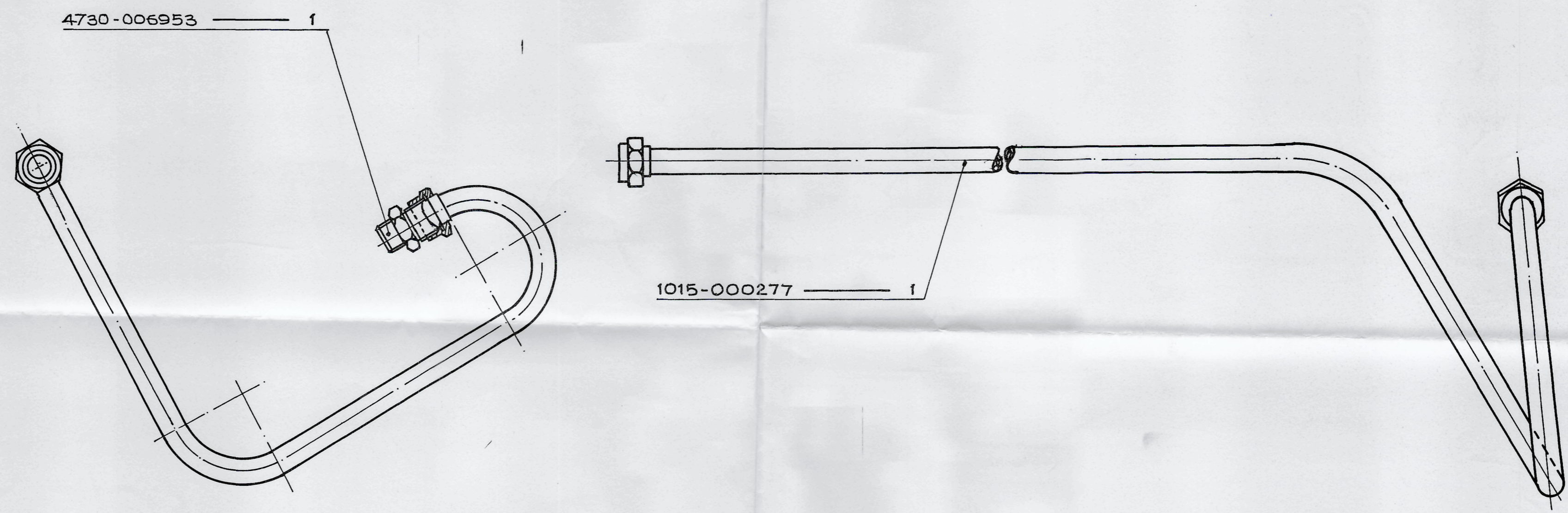


DS CAT NO.
1015-000276

FOR EXPLANATION OF DIMENSIONING ETC, SEE ARDE NOTE
SHT. NO. 1
DIMENSIONS ARE IN mm. UNLESS OTHERWISE STATED



Certified correct copy
of Sealed drawing as on

Date: 25 APR 2022

JTO (D): *[Signature]*
For Controller of CQA(W)
Jabalpur - 482011

19-8-16	19522-W	E/7	DS CAT No AMENDED			DRN-	CHD-	ASSY.DRG-IFL123MA 1015-000264	CQA(W) JABALPUR	
17-8-02			RETRACED WITHOUT CHANGE PREV. DC NOS - 15961-W & 16095-W/ DT. 23-12-83			TCD- <i>[Signature]</i>	CHD- <i>[Signature]</i>	DATE- 19-4-73		
						<i>[Signature]</i> C/D MAN	DO	AHSP FOR CQA(W)	SCALE- 1:2	
DATE	AUTHORITY	ZONE	NATURE	SIG AHSP	SIG DO			ESTD mass-		
AMENDMENTS						MATL-	DESIGN NO.			
DRG. SEALED- 16095-W 23-12-83						DO CQA(W)	PROTECTIVE FINISH-	D 6P.0206 SA		
PIPE COUPLING AIR LINE (WHEEL LEFT)									PART NO.	
									IFL-819 SA	
									DS CAT NO.	
									1015-000276	