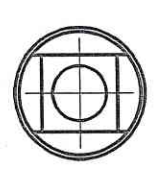


SECTION C-C



Actual Size

UN CONTROLLED COPY  
 CERTIFIED CORRECT COPY OF APPROVED  
 DRAWINGS AT THIS DATE: 23/09/22  
 DESIGN & DRAWING OFFICE,  
 ORDNANCE FACTORY, TRUCHIRAPPALLI-520 016;

**Material : Steel**  
 BS:970 Pt.1 1983 Sec.3 Gr.080 M40 (or) EN8  
 BS:970 Pt.1 1983 Sec.3 Gr.709 M40 (or) EN19  
 BS:970 Pt.1 1983 Sec.3 Gr.708 M40 (or) EN19A

**Hardness: 30 - 35 HRC**

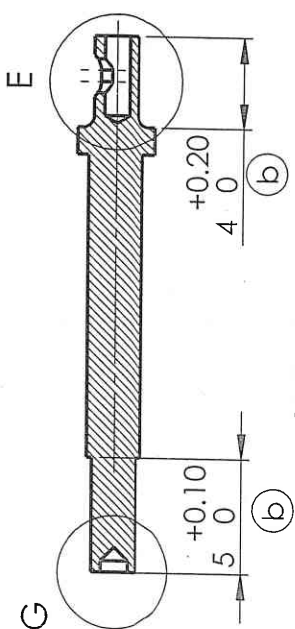
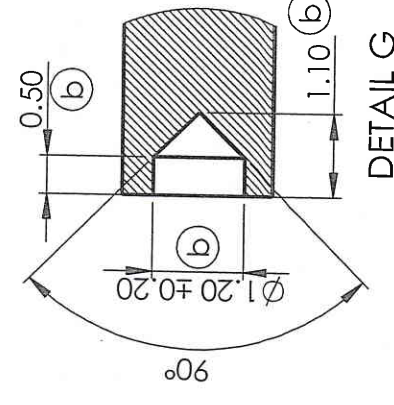
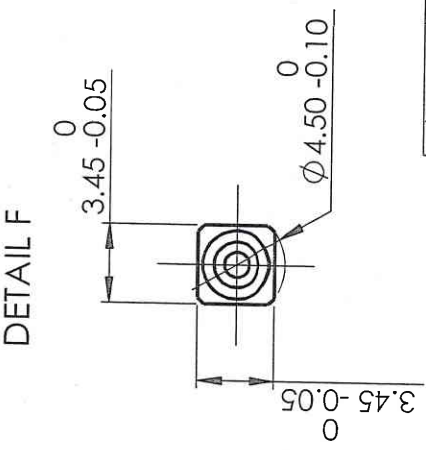
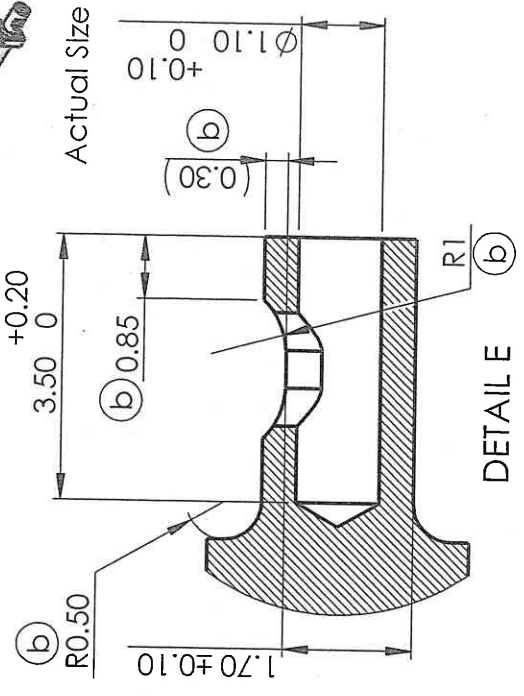
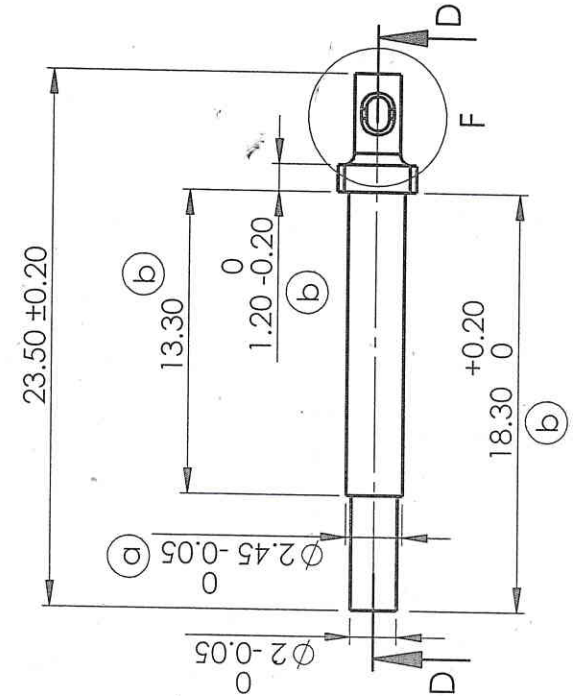
**Protective Finish :**  
 Phospating to Specn. 0465-01-1994 Class II Oil Finish

DA.No.:40/22 Dt.:22/09/22 DA.No.:16/19 Dt.:14/06/19	SIG. & DATE	APPROVED ON: 01/05/2018		TRACED DRAWN CHECKED	OIC/D&DO OFFICER/ PRODN. DIV.OFFICER/ D&DO	DATE:	SIGNATURE & DATE:	SUB: Housing Front Sight FOR: Front Sight Assy.(TFS) OF: Trichy Assault Rifle	DRG. No.: <b>TAR-K-1031*2</b>	DES.REF.NO. K-1031	ORDNANCE FACTORY TRUCHIRAPPALLI-16.	SCALE NTS
												Weight(g) 1
AMENDMENTS										SHEETS: 1 SHEET No.: 1		



ORDNANCE FACTORY  
 TRUCHIRAPPALLI-16.

UN CONTROLLED COPY  
 CERTIFIED CORRECT COPY OF APPROVED  
 DRAWINGS AT THIS DATE: 23/11/22  
 DESIGN & DRAWING OFFICE,  
 ORDNANCE FACTORY, TIRUCHIRAPPALI-620 016.



Actual Size

SCALE	NTS
Weight(g)	1
SHEETS:	1
SHEET No.:	1

SUB:	Front Sight
FOR:	Front Sight Assy. (TFS)
OF:	Trichy Assault Rifle
DES. REF. NO.	K-1032
DRG. No.:	<b>TAR-K-1032*3</b>

SIGNATURE & DATE:	
TRACED	
DRAWN	
CHECKED	
OIC/D&DO	
OFFICER/PRDND.	
DIV. OFFICER/D&DO	
APPROVED ON:	01/05/2018

DA.No.:	40/22
Dt.:	22/09/22
DA.No.:	54/21
Dt.:	12/11/21
DA.No.:	16/19
Dt.:	14/06/19
AMENDMENTS & DATE	SIG.

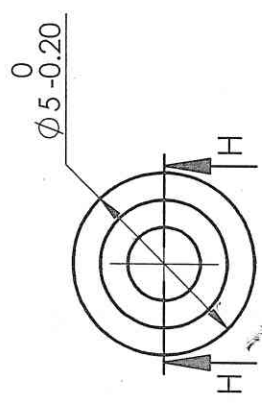
**Material :** Steel  
 BS:970 Pt.1 1983 Sec.3 Gr.080 M40 (or) EN8  
 BS:970 Pt.1 1983 Sec.3 Gr.709 M40 (or) EN19  
 BS:970 Pt.1 1983 Sec.3 Gr.708 M40 (or) EN19A  
**Hardness:** 30 - 35 HRC  
**Protective Finish :**  
 Phosphating to Specn. 0465-01-1994 Class II Oil Finish

6 5 4 3 2 1

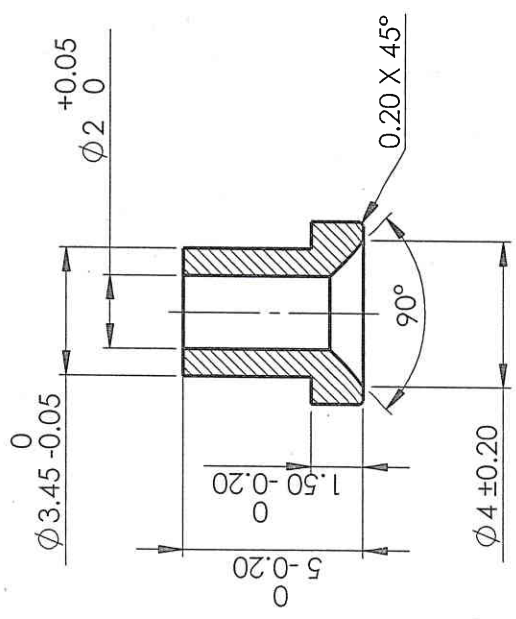
D C B A



Actual Size



UN CONTROLLED COPY  
 CERTIFIED CORRECT COPY OF APPROVED  
 DRAWINGS AT THIS DATE: 23/11/22  
 DESIGN & DRAWING OFFICE,  
 ORDNANCE FACTORY, TIRUCHIRAPPALI - 620 016.



SECTION H-H

**Material :** Steel  
 BS:970 Pt.1 1983 Sec.3 Gr.080 M40 (or) EN8  
 BS:970 Pt.1 1983 Sec.3 Gr.709 M40 (or) EN19  
 BS:970 Pt.1 1983 Sec.3 Gr.708 M40 (or) EN19A

**Hardness:** 30 - 35 HRC

**Protective Finish:**  
 Phosphating to Specn. 0465-01-1994 Class II Oil Finish

TRACED DRAWN CHECKED OIC/D&DO OFFICER/ DIV.OFFICER/ D&DO APPROVED ON: 01/05/2018	SIGNATURE & DATE:   	SUB: Sleeve Front Sight	SCALE: NTS
		FOR: Front Sight Assy. (TFS)	QPG: 1
		OF: Trichy Assault Rifle	Weight(g):
		DES.REF.NO. K-1033	
		DRG. No.: <b>TAR-K-1033*</b>	
		ORDNANCE FACTORY TIRUCHIRAPPALI-16.	SHEETS: 1
			SHEET No.: 1

DA.No.:40/22  
 Dt.:22/09/2022  
 AMENDMENTS & DATE  
 SIG. DATE

6 5 4 3 2 1

D C B A