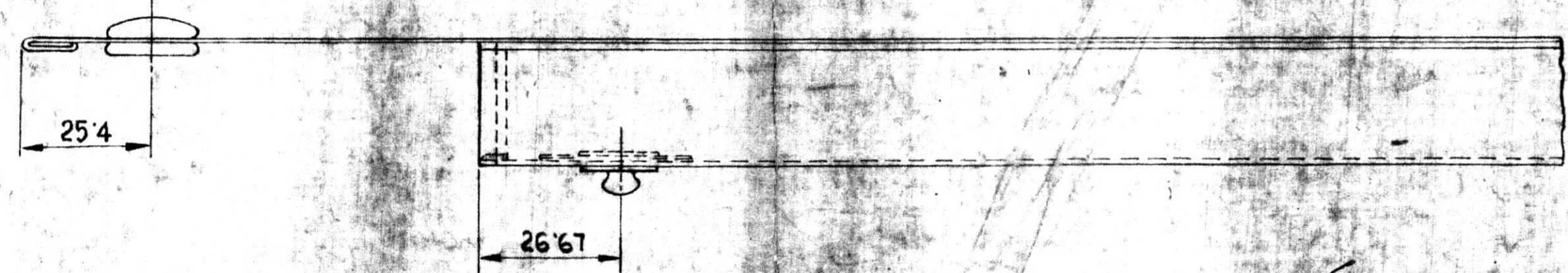


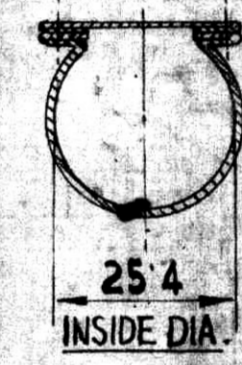
**MATERIAL:-** COTTON DUCK, D.G. WATERPROOFED VARIETY NO.2  
TO SPECN IS:1422-1977.

**THREAD:-** SEWING COTTON VARIETY NO.18  
TO SPECN IS:1720-1978

SECURELY OVER STITCHED.

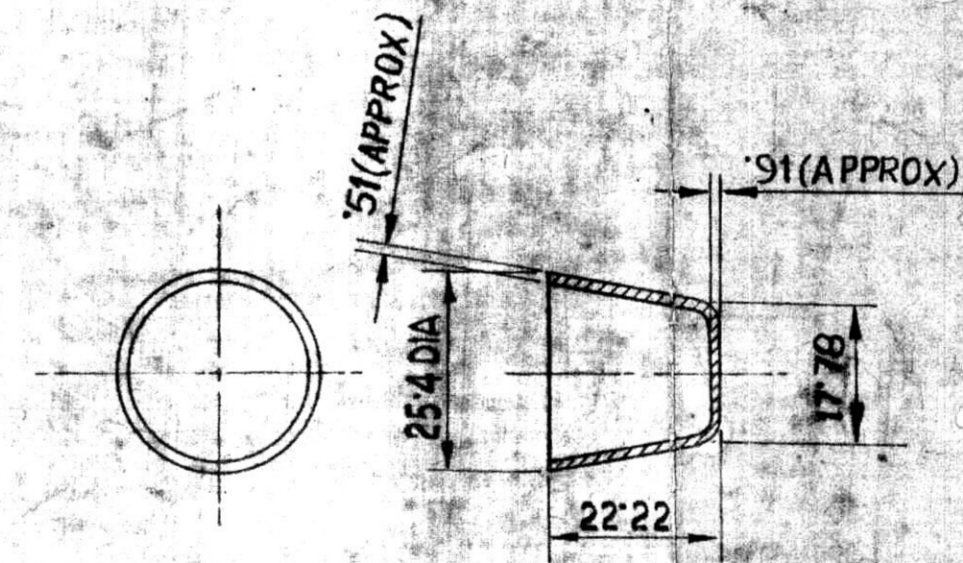
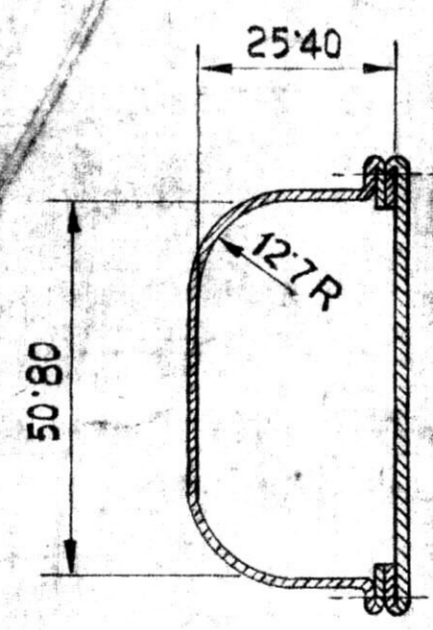
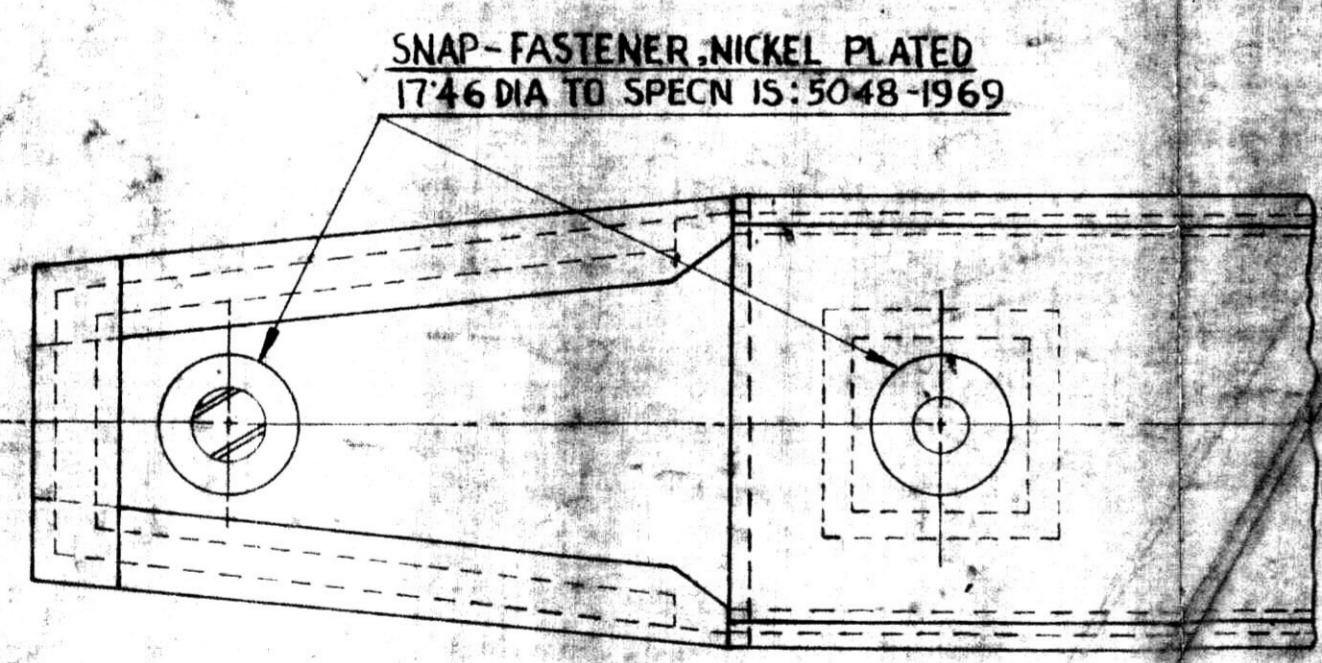


FERRULE TO FIT TIGHTLY  
IN POSITION INDICATED.



FOR EXPLANATION SEE D.D. NOTE SHEET NO.3

**NOTE :-**  
WHERE TOLERANCES ARE NOT SHOWN  
DIMENSIONS IN WHOLE NUMBER OR WITH  
ONE DECIMAL PLACE  $\pm 1.27$  mm DIMENSIONS  
WITH TWO DECIMAL PLACES  $\pm 0.13$  mm.



**FERRULE:-**  
STEEL BS 1449 PT 3B CS 3.

27/8/97  
Quality Assurance (QA)  
to be destroyed  
of this Est./RPD  
A/S

DS. CAT. NO: 5140-000279

METRIC

DGN.	DATE	NAME	ASSY DRG.	COA(SA) ICHAPUR	
23881-SA	02-8-97	A/E	MATERIAL & THREAD NOTE AMENDED	MATERIAL:- AS STATED	
23453-SA	20-8-96		DS. CAT. NO. 5140-000279 WAS 1005-000715	DIMENSIONS ARE IN MILLIMETRES	
20296-SA	11-1-89		CL. NEG. RETRACED & DRG. RE-SEALED	APPROVED Dt. 9-12-74 CL. NEG. RETRACED	
			PREVIOUS DCGI NOS. 14141-SA, 15513-SA, 17060-SA, 17060-SA, 19819-SA	DESIGNER'S REF. D.D.(E) 1492	
			DT. 06.1.89 Y/C. D.D.	DS CAT NO. 5140-000279	
			SCALE:- 1:1		
			SEALED:- DCCD 14141-SA DATED 12.12.74		
4	AUTHY	DATE	ZONE	BRIEF RECORD	SIG