

**Material:- Steel**  
 BS:970 Pt.1 1983 Gr 817 M40 (En-24)  
 BS:970 Pt.1 1983 Gr 826 M31 (En-25)  
 BS:970 Pt.1 1983 Gr 826 M40 (En-26)

**Casting Route:**  
 IS:10343-1999, Gr.19Q With  
 Mech. Properties  
 Re = 1100 Mpa (Min)  
 Rm = 1300 Mpa (Min)  
 % of Elongation on 5.65 So = 6.0 (Min)  
 % Red of Area = 25.0 (Min)  
 Charpy Impact = 4.0m Kg.cm2 (Min)

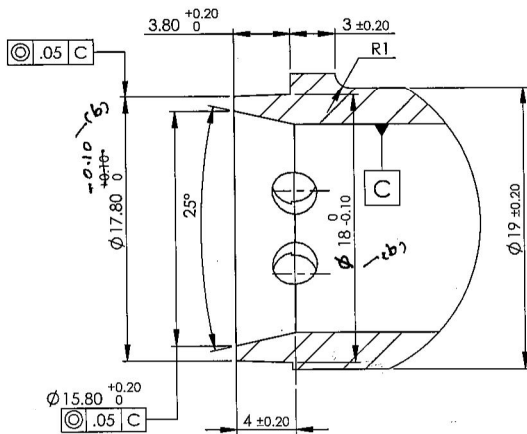
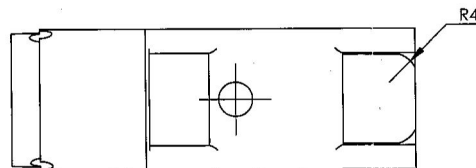
Radiographic Test as per ASTM-E-192  
**Acceptance Standard:-**  
 Gas hole & Foreign Material: Level-3  
 Shrinkage (All Types) : Level 3

Hardness: 300-350 HV

Protective Finish :  
 Accelerated Phospatting to Specn.  
 JSS: 0465-01-1994 Class II Oil Finish

Untolerated Dimensions as per  
 IS:2102 (MED)

SECTION M-M



DETAIL N

**MARKING:-**  
 ENGRAVING DEPTH 0.1MM  
 \* HEIGHT 2.5MM.  
 \* MANUFACTURER CODE  
 † BATCH/YEAR OF MANUFACTURE

DA.No. 41/20  
 Dt: 04/7/20  
 DA.No. 20/20  
 Dt: 14/2/20  
 DA.No. 30/18  
 Dt: 13/8/18  
 AMENDMENTS

SIGNATURE & DATE.  
 TRACED  
 DRAWN  
 CHECKED  
 OIC/D&DO  
 OFFICER/PRDN.  
 DIV.OFFICER, D&DO  
 APPROVED ON.02/03/2018

SUB: **GAS PORT BLOCK**  
 FOR: Barrel Assy  
 OF: TRICHY ASSAULT RIFLE  
 DES.REF.NO. K1205  
 DRG. No.: **TAR-K-1205 \* 23**  
 ORDNANCE FACTORY  
 TIRUCHIRAPPALLI-16.

SCALE  
 NTS  
 QPG  
 1  
 Weight(g)  
 81.16  
 SHEETS: 1  
 SHEET No.: 1

