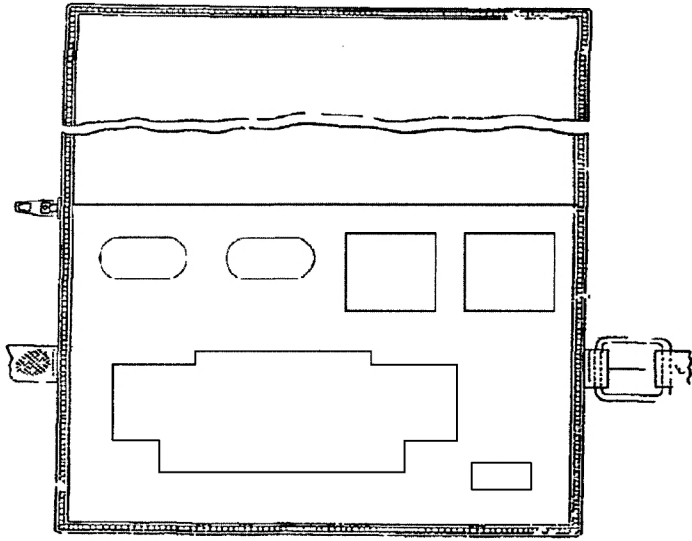


NOTE :-

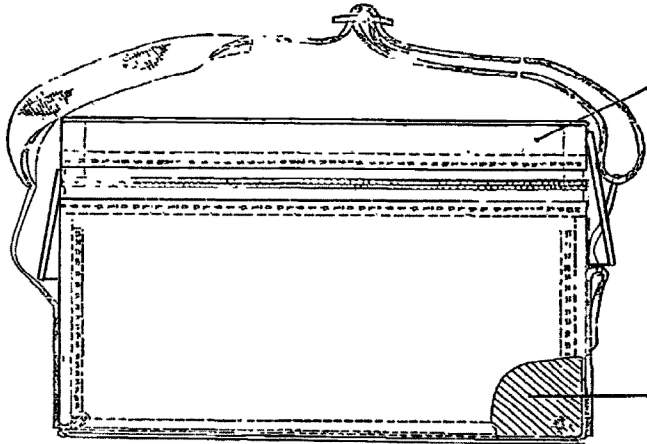
* NOMENCLATURE, MAKER'S INITIAL AND YEAR OF SUPPLY TO BE STENCILLED IN SUITABLE HEIGHT AT THE TOP OF THE CASE.

* केस कनवास,
पैसिव नाईट विजन
मोनोकुलर
ओ० एफ० डी० 20

**CASE CANVAS,
PASSIVE NIGHT VISION
MONOCULAR
O.F.D. 20**



(VIEW WITH LID OPEN)



IRDE 2017/2 -----1

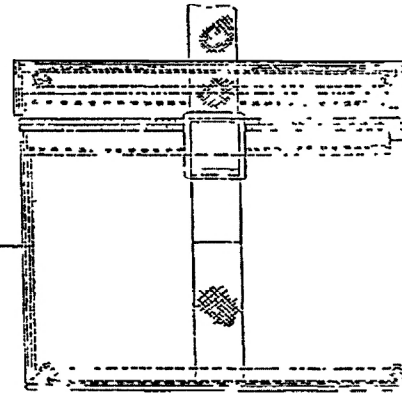
OR

CQA(I)-232 -----1

(AS AN ALTERNATIVE)

CWC-255/1 -----1

CWC-255/2 -----1



IRDE 2028/3 -----2

TO BE STITCHED IN POSITION
AS SHOWN

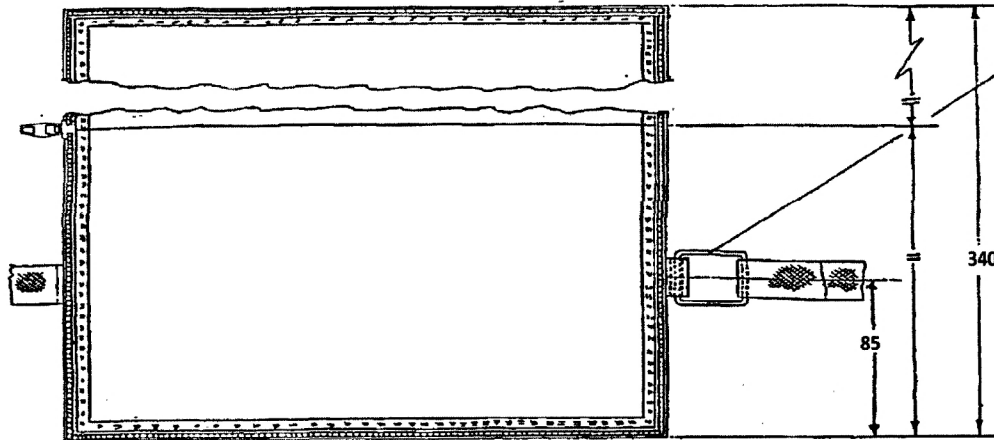
FOR EXPLANATION OF DIMENSIONS ETC, SEE CQA(I) GUIDE NO.-001-2016
ALL DIMENSIONS ARE IN MILIMETERS.
THIRD ANGLE PROJECTION

**ORDNANCE FACTORY
DEHRADUN**

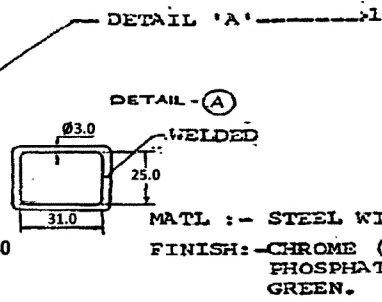
DR.: P.C.SINGH
TR.:
CH.: *[Signature]*
APPROVED
[Signature]
[AJAY SINGH] [S. BHASKAR]
JW/M/DO AW/M/Opt

CASE CANVAS, P.N.V. MONOCULAR

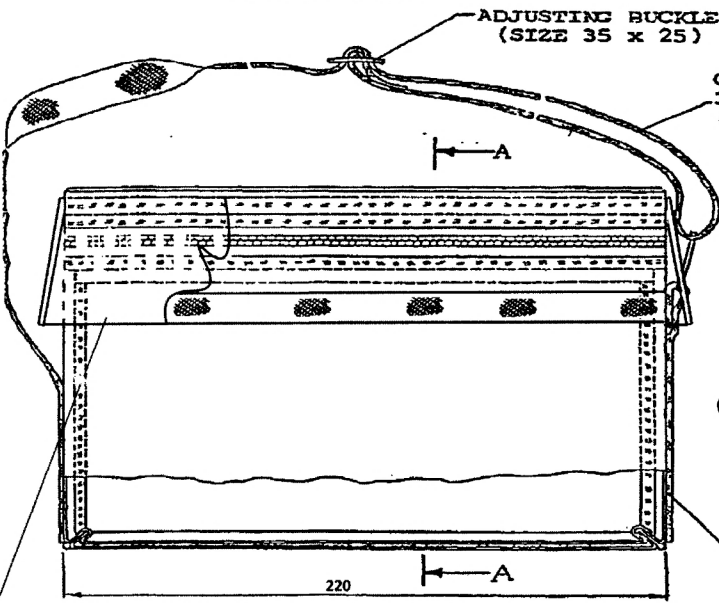
	DT. 11/07/18	SCALE: N.T.S.
	MATL. AS ABOVE	TREAT. AS ABOVE
	SHTS.: 1	SHT. NO.: 1
	DRAWING NO.	
	CWC-255	
AMENDMENTS		
OFD/DO/002		



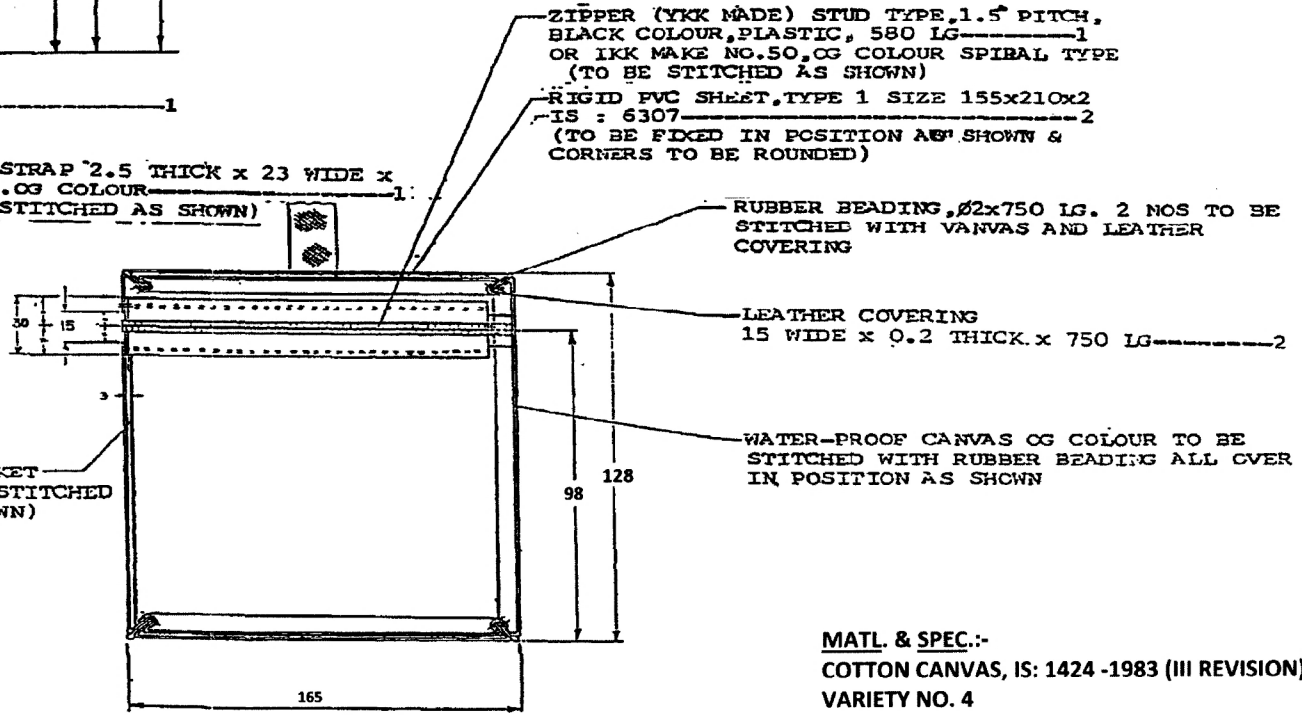
(VIEW WITH LID OPEN)



MATL :- STEEL WIRE
FINISH:- CHROME (BLACK COLOUR) PLATED/
PHOSPHATISED AND PAINTED OLIVE GREEN.



55mm. WIDE WATER PROOF CANVAS, O G COLOUR COVER TO BE STITCHED OVER ALL AROUND THE ZIP WITH SUITABLE VELCRO FLAP CLOSERS WITH THE CASE CANVAS. (AS SHOWN)



SECTION A - A
COTTON STRAP 2.5 THICK x 23 WIDE x 175 LG, O G COLOUR (TO BE STITCHED AS SHOWN)

MATL. & SPEC.:-
COTTON CANVAS, IS: 1424 -1983 (III REVISION)
VARIETY NO. 4

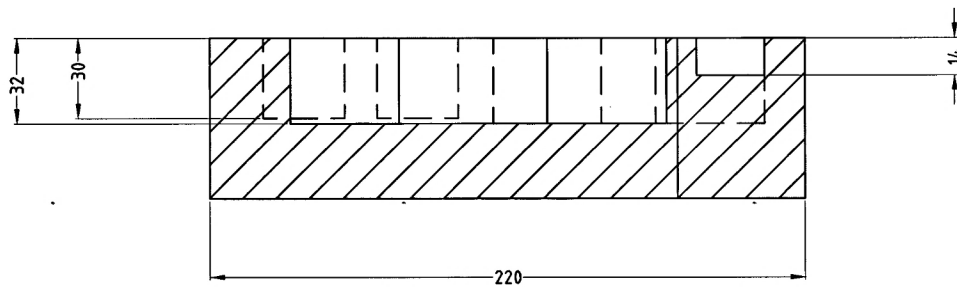
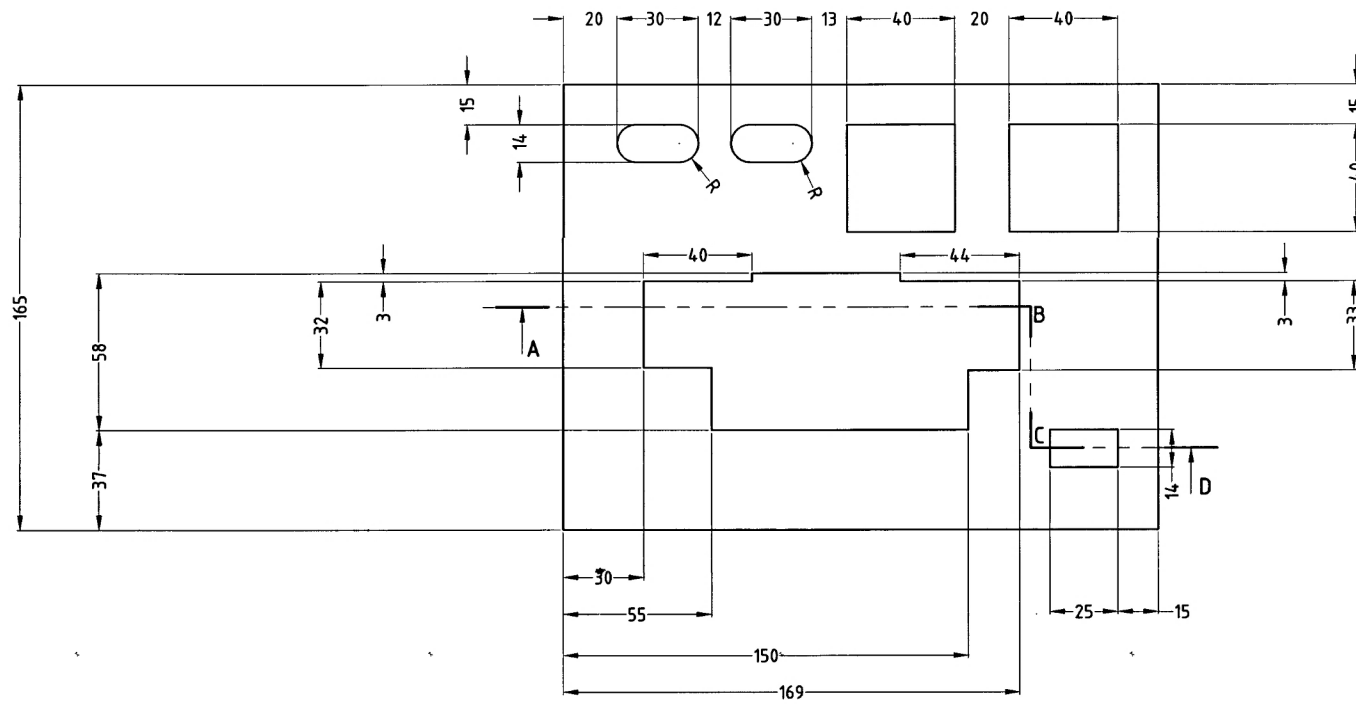
FINISH:-
AS ABOVE

ALL DIMENSIONS ARE IN mm.

ORDNANCE FACTORY DEHRADUN	DR.: P.C.SINGH
	TR.:
	CH.: <i>[Signature]</i>
	APPROVED
	<i>[Signature]</i>
	[AJAY SINGH] HDS/DO
	[S. BHASKAR] AMM/Opd

CASE CANVAS, P.N.V. MONOCULAR COVER CANVAS

	DT. 10/07/18	SCALE: N.T.S.
	MATL. AS ABOVE	TREAT. AS ABOVE
	SHTS.: 1	SHT. NO.: 1
AMENDMENTS		DRAWING NO.- CWC/255/1
OFD/DO/002		



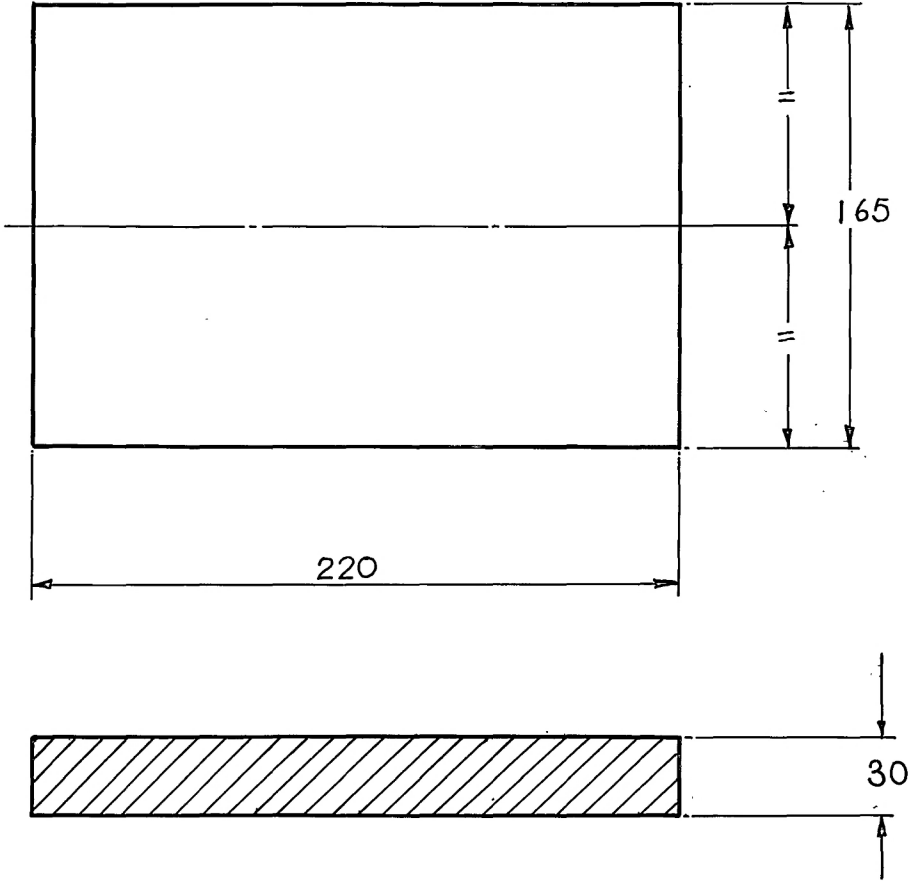
SEC. 'A B C D'

MATL:- POLYURETHENE FOAM BLACK/GRAY,
TO IS: 7933-1975

- (1) FOR EXPLANATION OF DIMENSIONS ETC., SEE CQA(I) GUIDE NO.- 001-2016
- (2) ALL DIMENSIONS ARE IN MILIMETERS.
- (3) THIRD ANGLE PROJECTION

ORDNANCE FACTORY DEHRADUN	DR. P.C.SINGH	CASE CANVAS, P. N. V. MONOCULAR RUBBER SHEET CELLULAR (LOWER)	DT. 29.08.18	SCALE: 1/2
	TR.		MATL.	FINISH
	CHD.BY: <i>[Signature]</i>		AS ABOVE	AS ABOVE
	APPROVED <i>[Signature]</i>		SHEETS. 1	SHEET NO. 1
(Kuldip Saini) JWM/D.O.	(S.Bhaskar) AWM/Opt.		DRAWING NO. CWC/255/2	
			AMENDMENTS	
			OFD/DO/002	

D.C. (1) :- 5302-I, 5527-I, 5904-I, 6568-I.



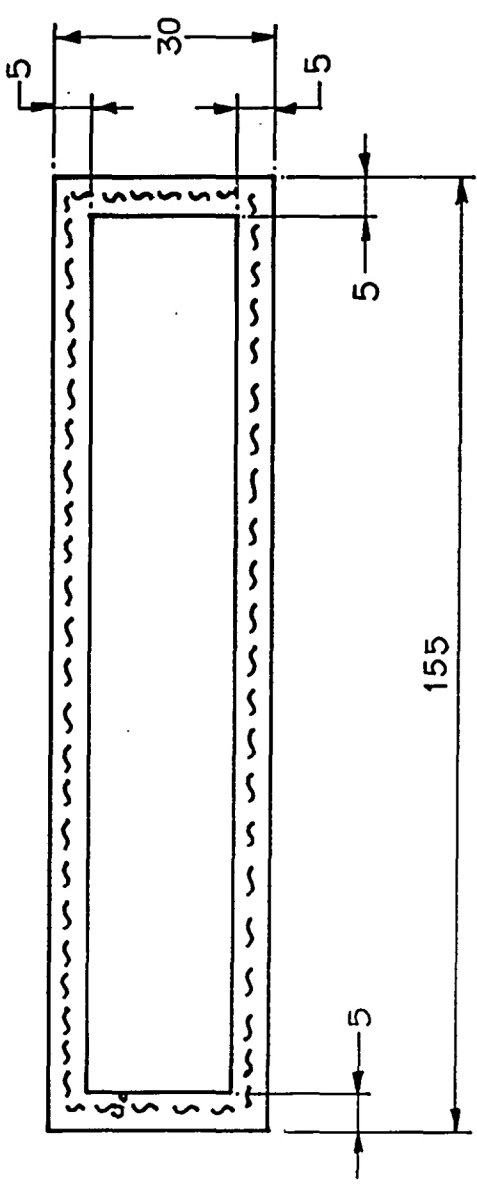
(b) RUBBER, SHEET CELLULAR (UPPER)

FILING CAB

SYM	ZONE	AMENDMENTS	CHKD	SIG	DATE
		D.C. (1) :- 5302-I. DRG. SEALED.	<i>g/b</i>	<i>g/b</i>	14.09
		(a) D.C. (1) :- 5527-I MATERIAL AMENDED	<i>g/b</i>	<i>g/b</i>	13.12.91
		(b) DC :- 5904-I, NOMS. AMENDED S. CAT/PT. NOS. ADDED	<i>g/b</i>	<i>g/b</i>	23.11.97
		(c) D.C. :- 6568-I. MATL. SPECN. AMENDED	<i>g/b</i>	<i>g/b</i>	24.10.92

FOR EXPLANATION OF DIMENSIONING ETC; SEE C&A(1) GUIDE No. 001-1992. THIRD ANGLE PROJECTION. DIMENSIONS ARE IN MILLIMETRES.	DRN	<i>g/b</i>	APPROVED <i>g/b</i> for DIRECTOR
	TRCD	<i>B Kumar</i>	
	CHKD	<i>g/b</i>	IRDE, Dehra Dun.
	CHKD		DATE :- 10.3.88
MATL. & SPECN :- POLYURETHENE FOAM BLACK/GREY TO IS: 7933-1975	CAT PT. No.	5330-022994	
FINISH :- CLEAN	DRG. No.	IRDE 2017/2	
	SCALE	1:2	SHT - OF.

FOR EXPLANATION OF DIMENSIONING ETC, SEE DQA(I) GUIDE No. 001-1992
 THIRD ANGLE PROJECTION DIMENSIONS ARE IN MILLIMETRES



NOTE :-

1. FOLD & STITCH THE EDGES AS SHOWN

D.C.(I)-5402-I, 5586-1, 6933-I

										APPROVED
										<i>IRDE</i>
(b)	D.C. 6933-I, NOM. AMENDED & CAT/PT. No. ADDED.	CHKD	12.5.08							FOR DIRECTOR IRDE, DEHRADUN
	(a) D.C.(I)-5586-I, MATL. SPECN. AMENDED.	CHKD	22.8.92							DATE 20.12.89
	D.C.(I)-5402-I, DRG. SEALED.	CHKD	18.8.90							
	SYM AMENDMENTS	CHKD	SIG	DATE						
	MATL & SPECN	DUCK COTTON, 15:1422-1983 VARIETY								
	FINISH	No. 3. CLEAN.								
(a)		CAT	77/8465-002B7B							
		PT.N								
	TITLE:-	DRG. No.	STRAP GRIP							
		SCALE	1:1	SHT	- OF					

(a)

(b)

(b)



This document was created with the Win2PDF “print to PDF” printer available at <http://www.win2pdf.com>

This version of Win2PDF 10 is for evaluation and non-commercial use only.

This page will not be added after purchasing Win2PDF.

<http://www.win2pdf.com/purchase/>