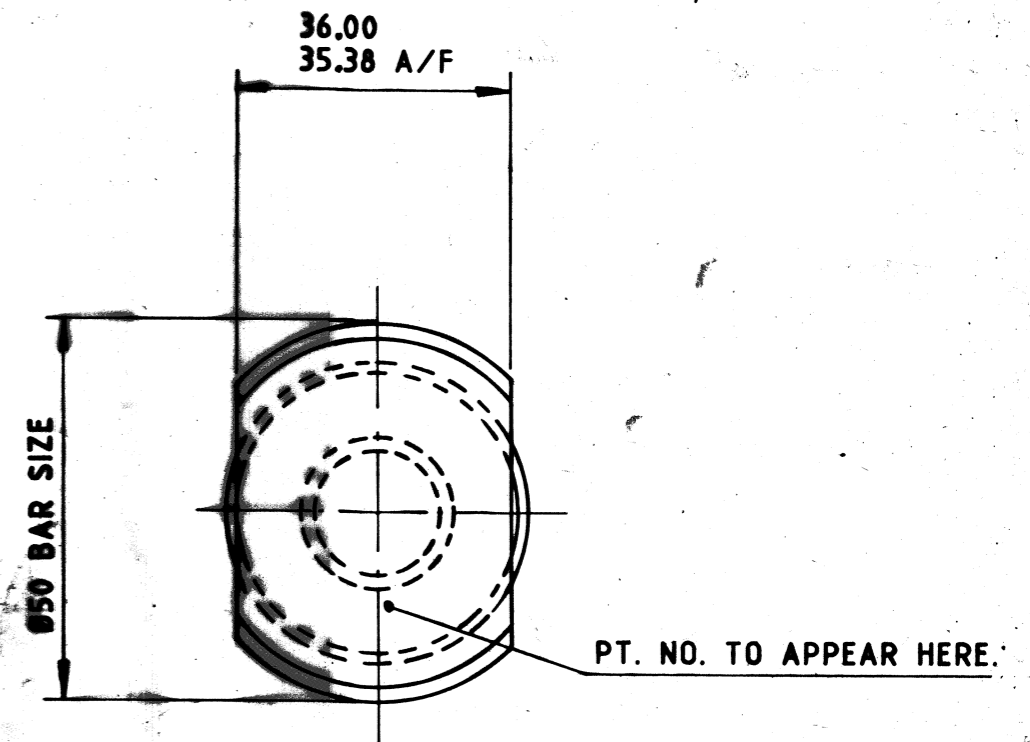
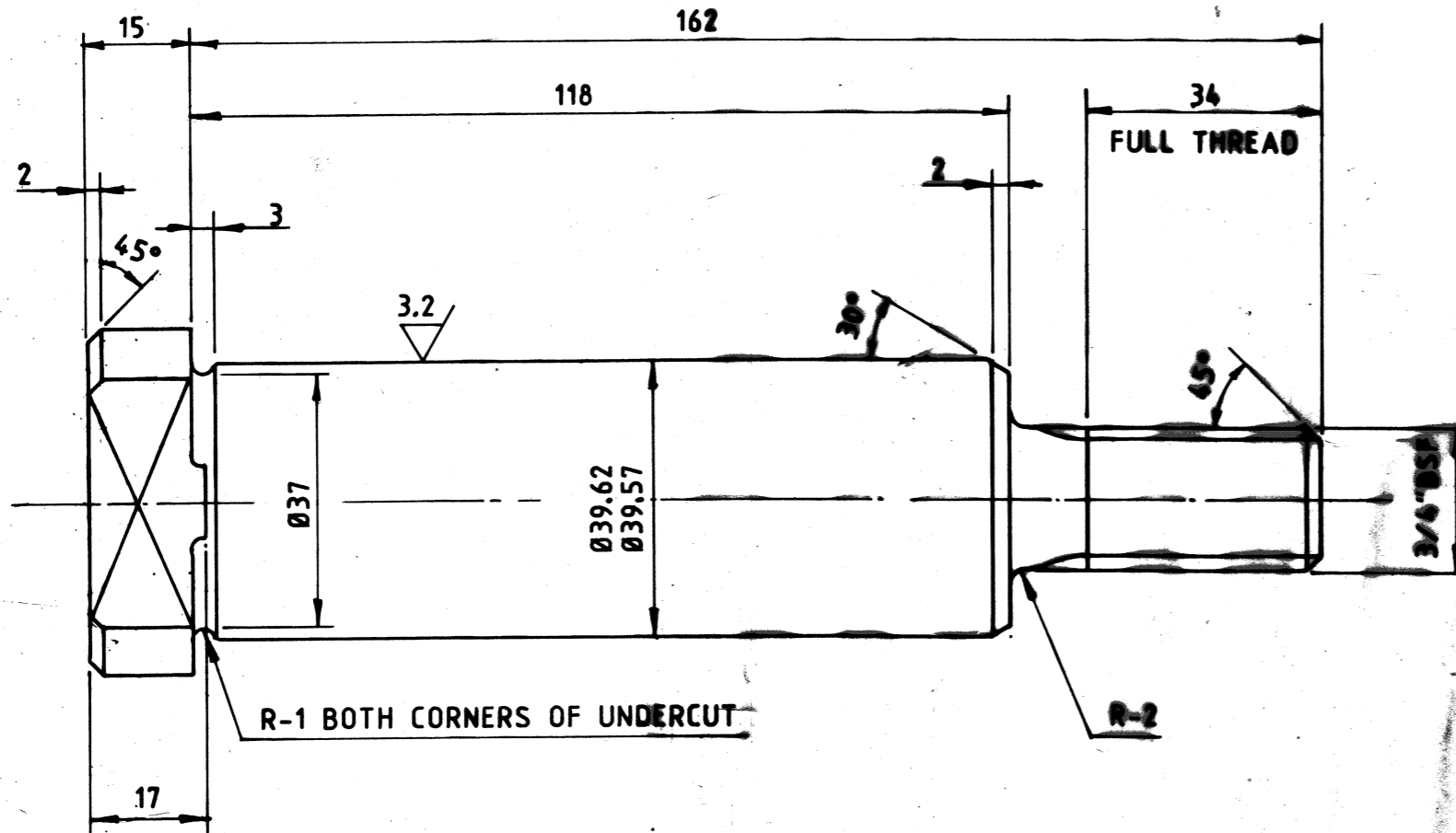


DRG. No. X 3 5 3 4 1 1 5

ALL DIMENSIONS ARE IN m.m.



MATERIAL:- BS 970 220 M07 (EN 1A)

M/C ALL OVER  $\sqrt{6.3}$  UNLESS OTHERWISE STATED — EXCLUDING Ø50 BAR SIZE.

THREADS TO BE PROTECTED DURING TRANSIT STORAGE

NOTE:-

TO BE PHOSPHATED TO CLASS 'C' AS PER IS: 3618

TO BE APPLIED WITH RUST PREVENTIVE OIL TO IS: 1154.

SEALED  
CERTIFIED CORRECT  
COPY DATE .....  
SIGNATURE .....

The copyright of these drawings and all attachments there to belongs to the Indian Ordnance Factories, Ministry of Defence, Govt. of India. They should not be copied, reproduced in any way or the information contained therein made available to unauthorized persons without the written permission of the Director General of Ordnance Factories.

PART No.	DESCRIPTION	MATERIAL	NO. OFF	DRG. NO.	DIFFERENCE
Gen. Tol. Not Specified				Date	Name Approved
Linear Dimension				Drawn	
0 - 6				Traced	4-2-03 M. SAHA
6 - 12				Checked	4.2.03 THESAR
12 - 24				JWM/STD	(1) 2 JG
24 - 48				Shop	Jt.GM/TS
48 - 100				Date	
100 - 200					
Angular Dim.					
0 - 10					
10 - 20					
20 - 30					
30 - 45					
> 45					
Unmachined					
Rough					
Smooth					
VTV Finish					
C. Hard					
Hardened					
Gr. Hard					
Index					
ALTERATION					
Description	BUSH BOLT				
For	AGB MOUNTING				
Group	STALLION MK-III				
Scale	1:1				
Ref. Drg.					
Replaced By					
Replacement for					
VEHICLE FACTORY JABALPUR.			X 3534115		