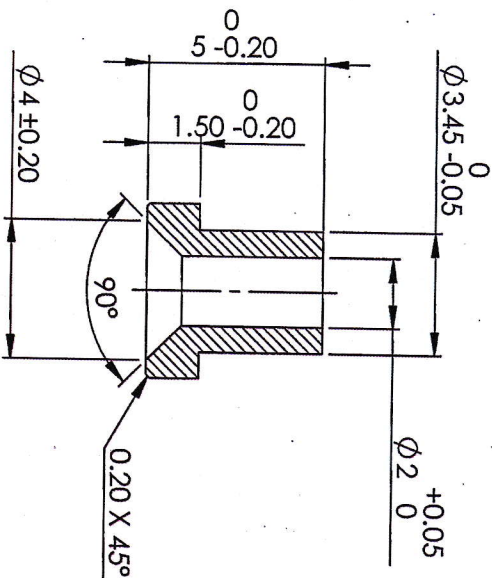
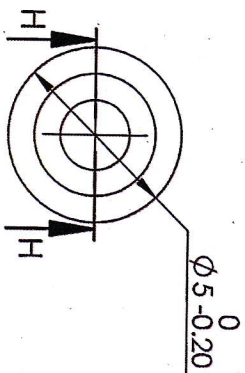




D Actual Size



SECTION H-H

MIM 4605 Composition								
Element	C	Min	Si	Ni	Mo	Cr	S	P
Min	0.3	-	-	1.5	-	-	-	-
Max	0.6	0.5	0.5	2.5	0.5	0.5	0.05	0.05

UN CONTROLLED COPY  
CERTIFIED CORRECT COPY OF APPROVED  
DRAWINGS AT THIS DATE

*[Handwritten signature]*  
30/10/21

**Material :** MIM 4605

**Hardness:** 30 - 35 HRC (302 - 345 HV)  
or 325-400 HV

**Protective Finish :**  
Manganese Phosphating

TRACED DRAWN CHECKED OIC/D&DO OFFICER/ PRDND. DIV.OFFICER/ D&DO	SIGNATURE & DATE.	SUB: Sleeve Front Sight FOR: Front Sight Assy. (TFS) OF: Trichy Assault Rifle DES. REF. NO. K-1033 DRG. No.: <b>MIM-K-1033-00</b>	ORDNANCE FACTORY TIRUCHIRAPPALLI-16.	SCALE NTS QPG 1 Weight(g) SHEETS: 1 SHEET No.: 1
	APPROVED ON. 14/07/2021			

6 5 4 3 2 1