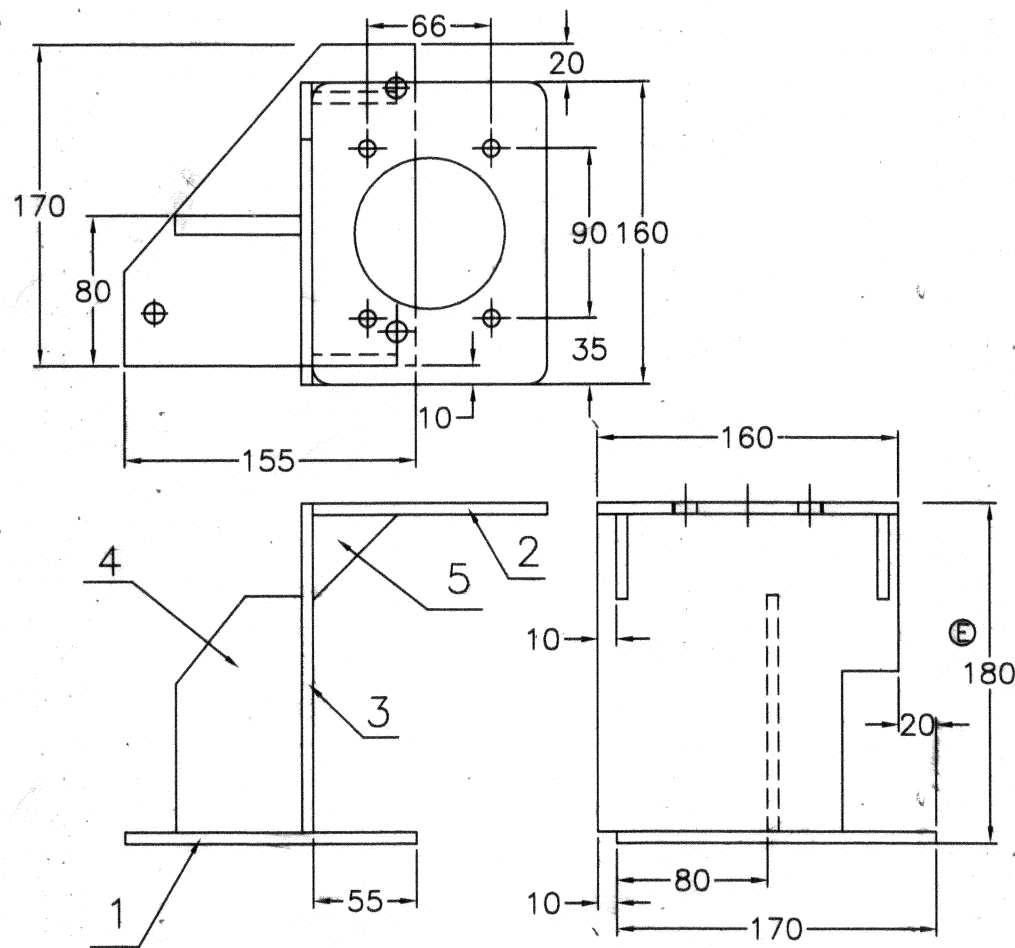
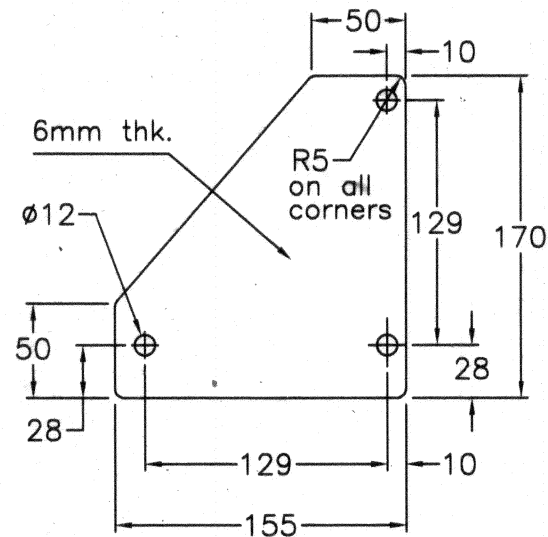


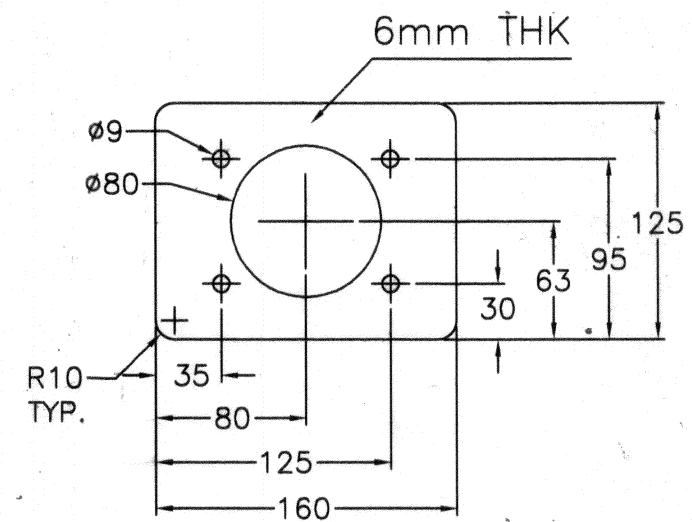
D:\MK\MPV\03 CODE\610-03-1310-1



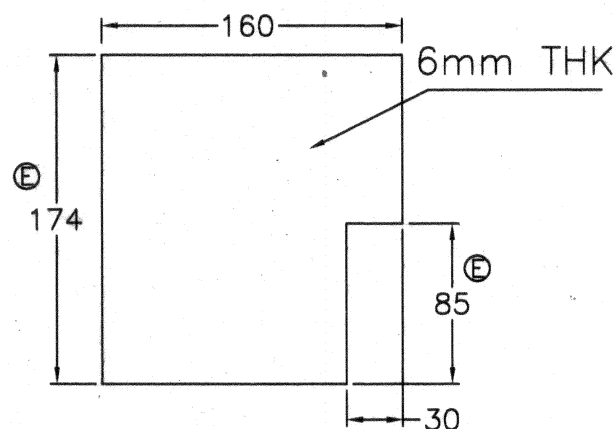
DRG. NO: 610-03-1310-1
BRACKET ASSY.
QTY/VEH: 1 No.



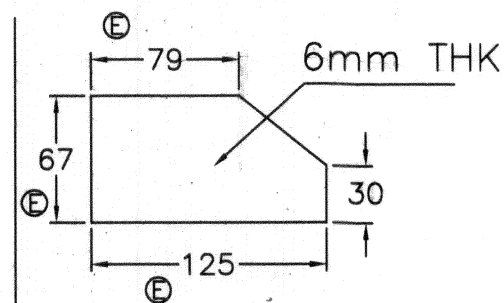
DRG. NO: 610-03-1311-1
BASE PLATE
QTY/VEH: 1 No.



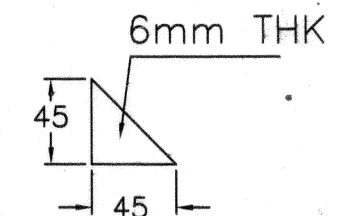
DRG. NO: 610-03-1312-1
FLANGE QTY/VEH: 1 No.



DRG. NO: 610-03-1313-1
PLATE QTY/VEH: 1 No.



DRG. NO: 610-03-1314-1
RIB
QTY/VEH: 1 No.



DRG. NO: 610-03-1315-1
RIB
QTY/VEH: 2 Nos.

05	610-03-1315-1	RIB	02	02	
04	610-03-1314-1	RIB	01	01	
03	610-03-1313-1	PLATE	01	01	
02	610-03-1312-1	FLANGE	01	01	
01	610-03-1311-1	BASE PLATE	01	01	
SL. NO	DRAWING NO.	NOMENCLATURE	QTY/ ASSY	QTY/ VEH	

ISSUE		APPRD.	NATURE OF AMENDMENT	
(E)	24.09.05		DIMNS 180,174,85,125 & 79 WAS 155,149,60,100 & 54 RESPECTIVELY.	
AUTHD. M.K.P.		DRG. NO: 610-03-1310-1/E		USED ON QTY./VEH. 1
APRD. S.K.		M.P.V.		
CHKD. J.P.		24.09		SHEET NO SCALE WEIGHT
DRWN. M.V.K.		24.09		
NAME SIGN DATE		ORDNANCE FACTORY MEDAK		THIRD ANGLE PROJECTION
		(GEAR CHANGE LEVER)		
		MATERIAL: St 42 - 1079		

26/03

03/27