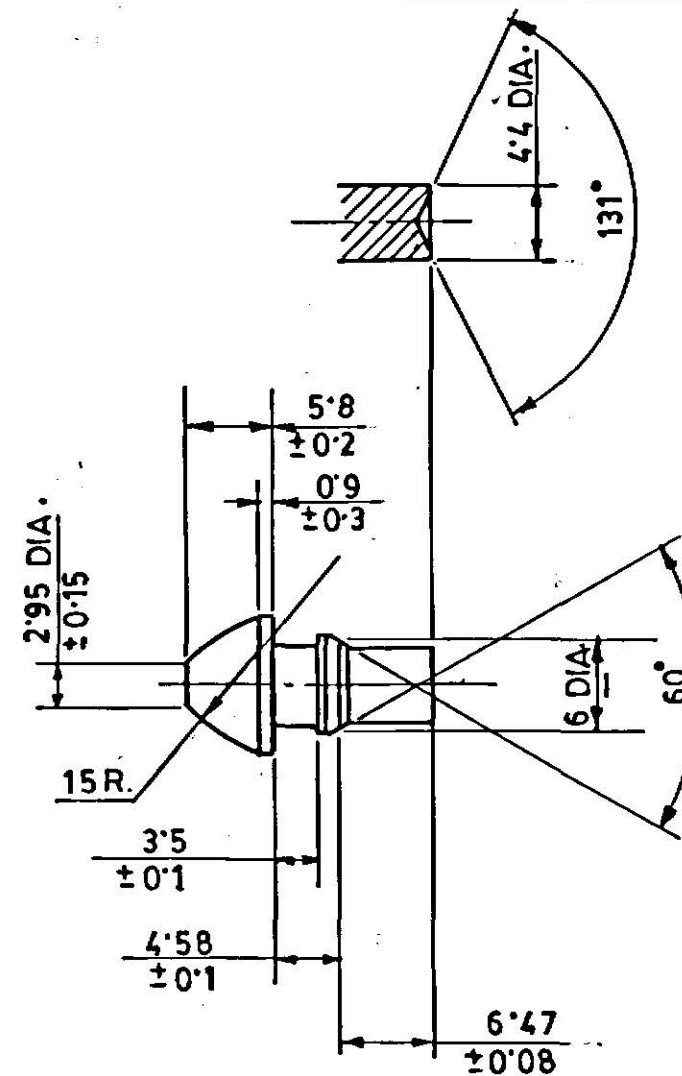
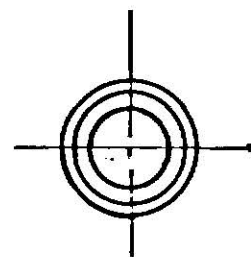
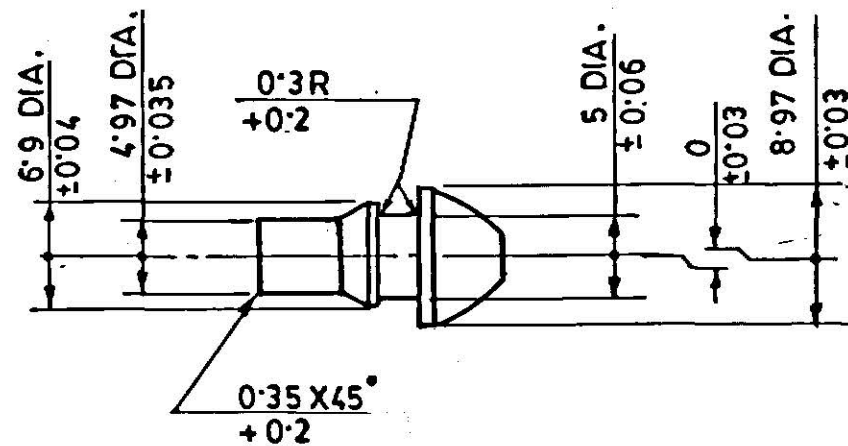


OS.CAT NO. 5340-016725

DIMNS. ARE IN m.m.



SUREACE FINISH :-
AS PER IS:3073 WHERE NOT SPECIFIED SHOULD BE W

DC No. 27021-SA, DT. 28-01-2017 - MATERIAL AMENDED		DRN.	CHD.	TRD. <i>Baxuk</i>	COMP. <i>Seeth</i>	AHSP. CQA(SA), ICHAPUR
21-8-06	26257-SA	SCALE :- 2:1		EST. MASS.	APPROVED DT. 4-3-85	ASSY. 1005 - 007717
PROFORMA CHANGED, NEG. RE-TRACED AND DRG. PROV. RE-SEALED		<i>Adh</i>	<i>MM</i>	DT. 21-8-06	I/C, D.O.	NEG. RE-TRACED
PREVIOUS D.C.NOS. 18367-SA, 19729-SA, 21506-SA, 22335-SA, 23346-SA & 24213-SA.		C.D.	350.	MATERIAL :- IS: 5517-1993 DESIGNATION 55C8.		DGNR'S REF.
DATE	AUTHY.	BRIEF RECORD	ZONE	I/C, D.O.	G.O.	PART NO. 25 GM
SEALED :- PROV. D.C. No. 18367-SA, DT. 2.5.85		SIGN.		H.T./HARDNESS		DRG. NO. A3-134
NOMENCLATURE :-		BUTTON, FEED BOX		PROTECTIVE FINISH		D.S. CAT. NO. 5340-016725