

SK-6515/TE

D.A. NO.

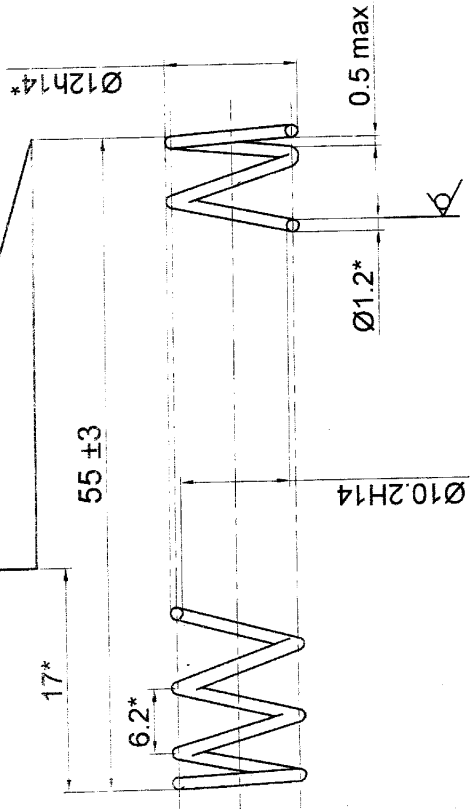
$\sqrt{Rz 80 (\checkmark)}$

H05/mMD

20.7.23

Handwritten signature

$F_1^* = 59 \text{ N (5.9 kgf)}$



1. $G^* = 80 \text{ GPa (8000 kgf/mm}^2\text{)}$
2. $T^* = 1.26 \text{ GPa (126 kgf/mm}^2\text{)}$
3. $n = 10$
4. $n_1 = 12 \pm 1$
5. $D = 10 \text{ mm}$
6. Tempering from 240°C to 260°C.
7. *Reference dimensions and parameters.
8. Spring is tested by pressing it five times with coil coming into contact each time.

Matl.: WIRE 1-1.2 GOST 9389-75

Weight: 4.2 g

DRAWN	SEEN BY	CHECKED
A.S.RAMA		
DATE	05/06/2023	
APPROVED		
DRG. NO.		H05/DD0
SK-6515/TE		
SHT	1	OF 1

7.62x39 AR-SAF	
SPRING	
SCALE	NTS
SMALL ARMS FACTORY	
KAMPUR	

1

2

3

4

5

6

7

8

9

A B C D E F G H

1 2 3 4 5 6 7 8 9