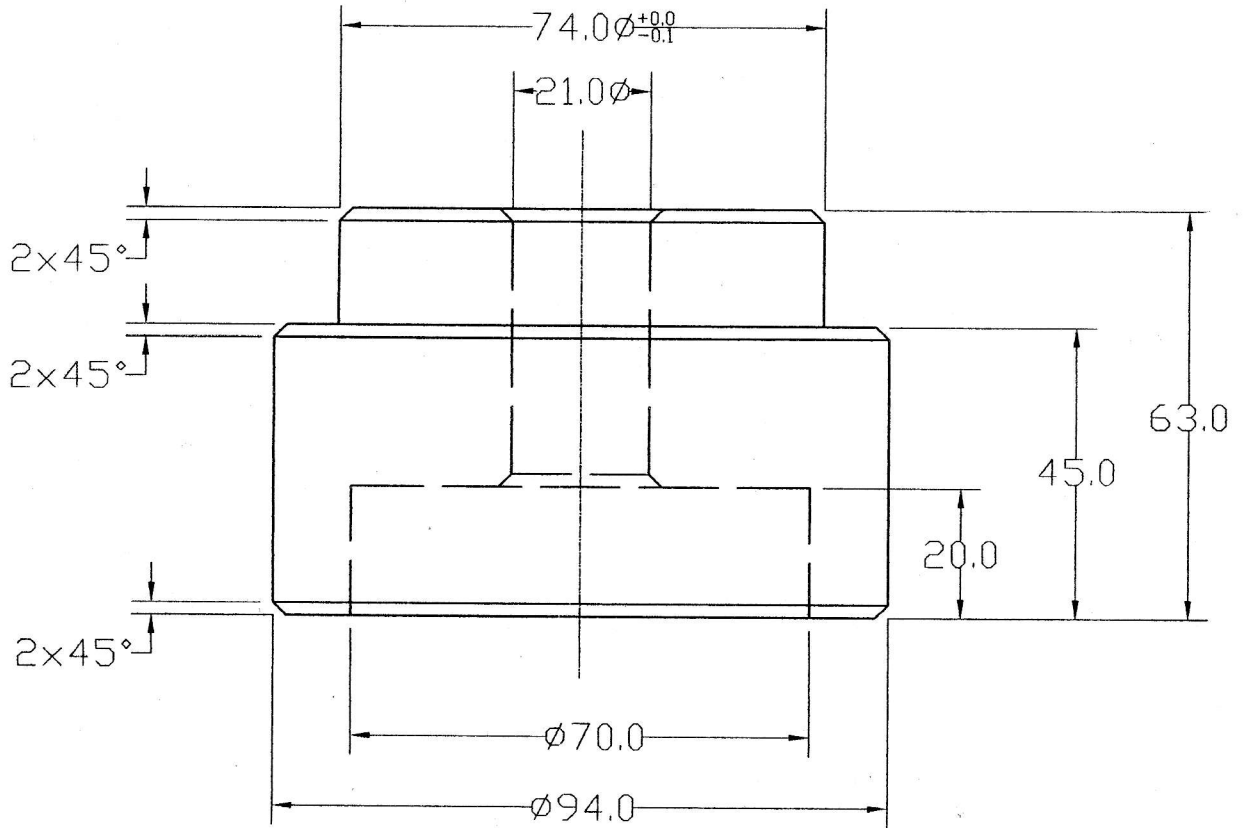


DRG.NO.- 645-01-7511-1



MATERIAL : BRIGHT BAR

TO IS: 9550

QTY / ASSY : 1 NO.

ITEM	DESCRIPTION	NO. OFF	MAT.	STD.	SIZE / WT.	REMARKS
					JWM / VDO	AWM / FS
INDEX	ALTERATION	DATE	SIGN.	C. SINGH DRN BY	CKD.	APPD.
DIM.	TOL.	BUSH (FOR Y-FRAME DRAGGING BRKT.)			645-01-7510-1	1:1
0-30	±0.1				REF. DRG. NO.	SCALE
30-250	±0.2				MACHINE	19-03-12
250-800	±0.3				V. M. M.	DATE
800-2000	±0.5				REF. DEM. NO.	1/1
	>2000	±0.8				SHTS.
	GEN. TOL.					
APPROVED BY <i>J. M. Mas</i> DGM/MPV		V. D. O.	VEHICLE FACTORY JABALPUR		DRG.NO.- 645-01-7511-1	