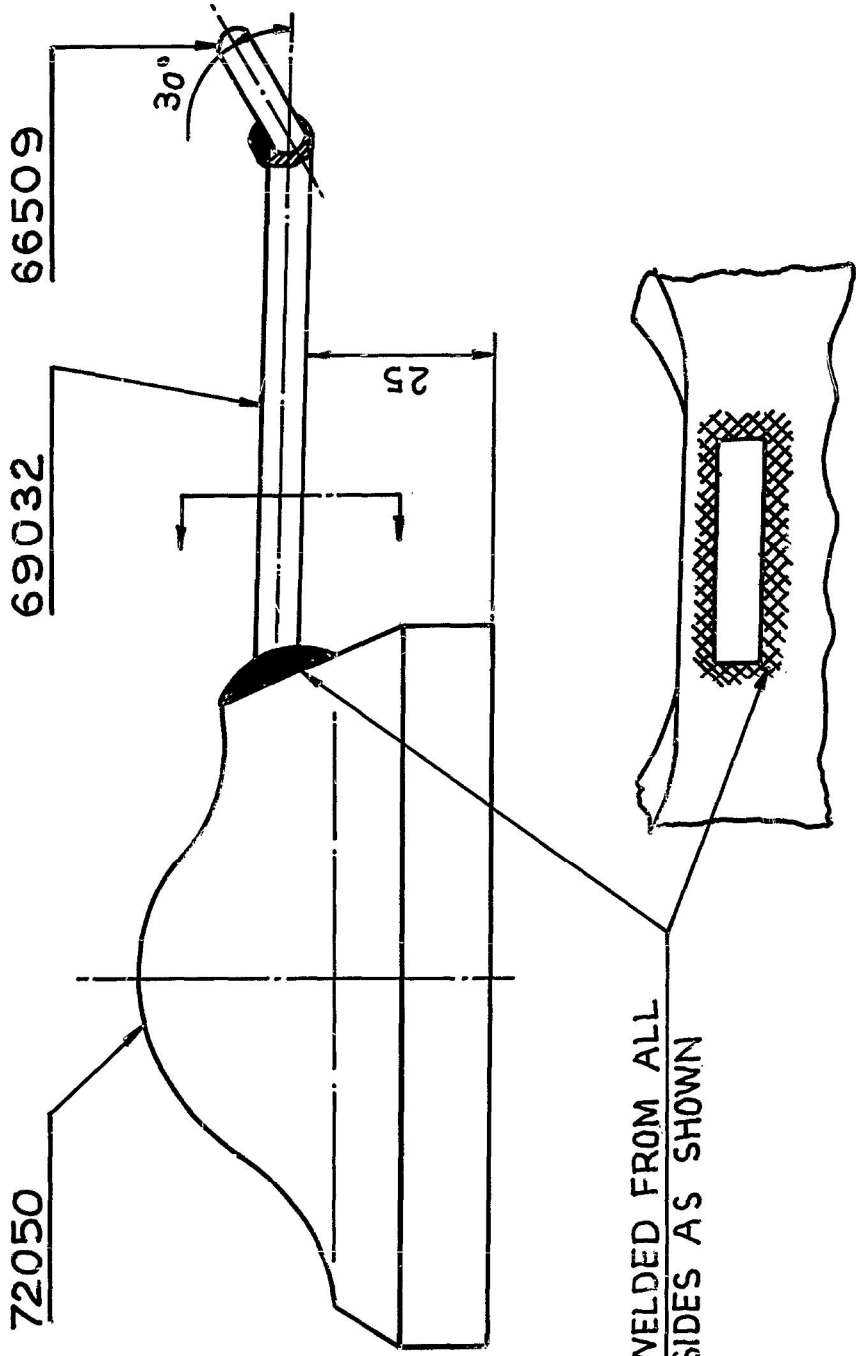


D.S.CAT No.
1015-001560

DIMENSIONS ARE IN mm

DRG CONVENTIONS CONFORMS SP:46;
1988, TOLERANCE FOR UNTOLERANCED
LINER DIMENSIONS REFER IS:2102.(MEL
CL).



* सॉकेट रोटेटिंग असेम्बली
बैलिडिंग असेम्बली

HOTCHKISS-BRANDT
52 CHAMPS-ELYSEES
PARIS 8e
CQA(W) JABALPUR

DRN:- CHD:-
TCD:- Sanjay CHD:-
C/D, MAN D.O
AHSP

21-2-17	19579-W	D/4	PART No AMENDED	185
6-2-17	19572-W	D/1-3	ASSI DRG. & NOMEN AMENDED, ZONE D/1-3 & UNDER HEADING "DRG SEALED ADDED."	185
22-10-03	18912-W		HINDI NOMEN. ADDED.	185
30-3-96			RETRACED WITHOUT CHANGE PREV.D.C.NoS. 9536-W, 2690-W, 11443-W, 12128-W & 15055-W/7-5-77	185
DATE	AUTH.	ZONE	NATURE	SIG. D.O
				AHSP

AMENDMENTS

DRG. SEALED:-

11443-W, dt. 22-07-1967

D.O.CQA(W)

SCALE:- 1:1 ESTD WT. 730 g DATE:- 20-12-63

MATL:-

ASSY. DRG:-

1015-001559



SOCKET ROTATING ASSEMBLY

* BASE PLATE WELDING ASSEMBLY

PART No.

AMG.72089

D.S.CAT No.

1015-001560

FOR CQA(W)

DESIGN No.

4

3

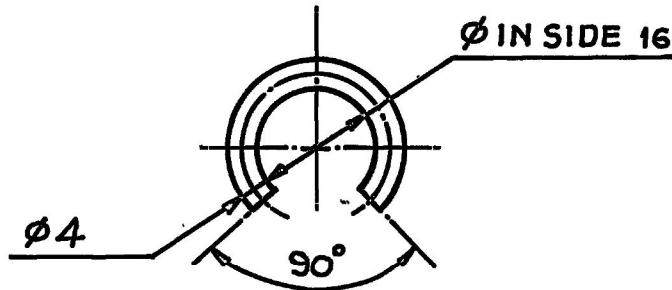
2

1

PART No.

AMG. 66509

DIMENSIONS ARE IN mm.



MATERIAL:- BS:970 PART 1:1983 GDE 070 M20 OR IS:2073, C-30.

ALT. MATERIAL:-

BS: 970 PART 1:1972 080A 20

MATTER:- MILD STEEL.

HOTCHKISS-BRANDT
52 CHAMPS-ELYSEES
PARIS 8^e

CQA(W) JABALPUR

22 10 03	18812-W		HINDI NOMEN ADDED		
23-296			RETRACED WITHOUT CHANGE		
			PREV. D.C.Nos. 11876-W 15493-W & 16809-W, DT. 21-8-89.		
DATE	AUTH.	ZONE	NATURE	SIG. AHSP	SIG. DO

DRN:-

CHD:-

TCD:- Sanjay

CHD: [Signature]

C/D' MAN

D.O

AHSP

FOR CQA(W)

DRG. SEALED:-

D.O. CQA(W)

SCALE:- 1:1

DATE:-

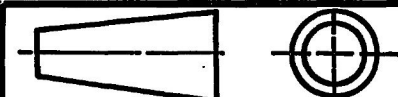
ESTD mass:-

DESIGN No.

MATL:- AS SHOWN ABOVE

ASSY DRG:-

72155



PART No.

AMG. 66509

HANDLE EYES, BASE PLATE
81 mm. LIGHT MORTAR

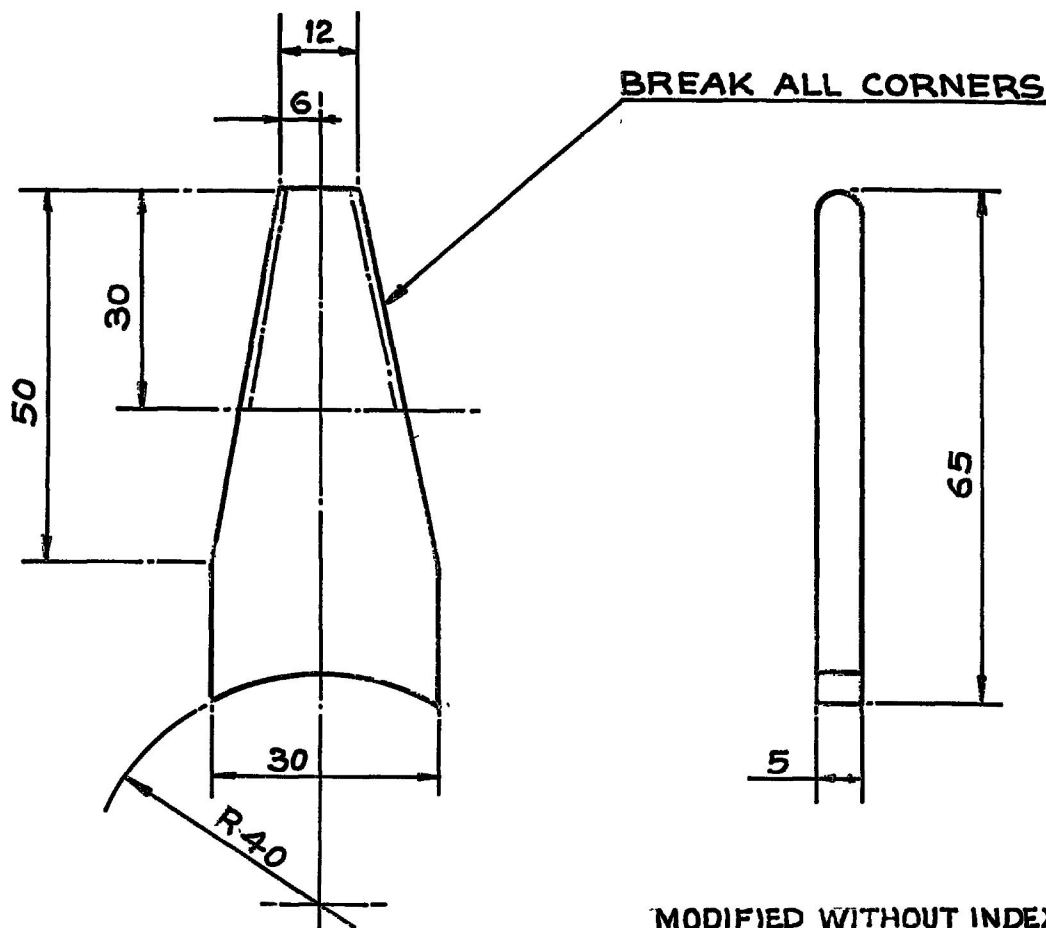
हण्डल आँई,
 बेस प्लेट

D.S. CAT No.

PART No.

AMG.69032

DIMENSIONS ARE IN mm.



MODIFIED WITHOUT INDEX
SUPERSEDES 72° OF MARKING AMG 69210

MATTER :- 25 CD 4

STATE OF SURFACE :- ✓

GENERAL MARGINS :- ± 0.2 TILL 10-J13
ABOVE 10

HOTCHKISS-BRANDT
52 CHAMPS-ELYSEES
PARIS 8^e

CQA(W) JABALPUR

22 ¹⁰ / ₀₃	18812-W	HINDI NOMEN ADDED		
5-2-96		RETRACED WITHOUT CHANGE		
		PREV. D.C.NoS. 11876-W & 15175-W/27-7-78		
DATE	AUTH.	ZONE	NATURE	SIG. AHSP D.O

DRN :-	CHD :-
TCD :- <i>Sanjay</i>	CHD :- <i>G P Shukla</i>
<i>Prasad</i> C/D MAN	D.O

AMENDMENTS

DRG. SEALED. D.C.No. 11876-W,
DT/7-3-68 D.O. CQA(W)

SCALE :- 1:1 DATE :- ESTD. MASS 72-155

MATL :- BS/S-535

ASSY DRG :-

72-155



DESIGN No FOR CQA(W)

PART No.

AMG.69032

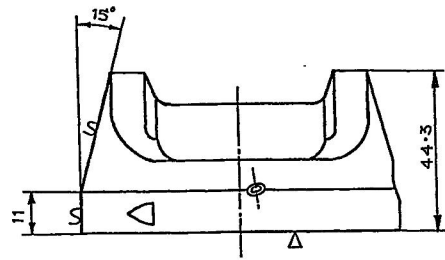
D.S. CAT. No.

'HANDLE' BASE PLATE
81 mm. LIGHT MORTAR

हण्डल
बेस प्लेट

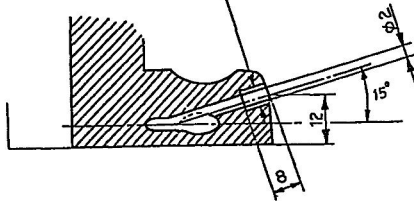
D S CAT No.
AMG No. 72050
AMG 72050-Y

DIMENSIONS ARE IN mm

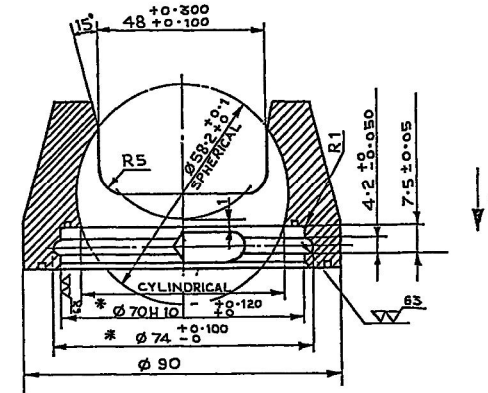
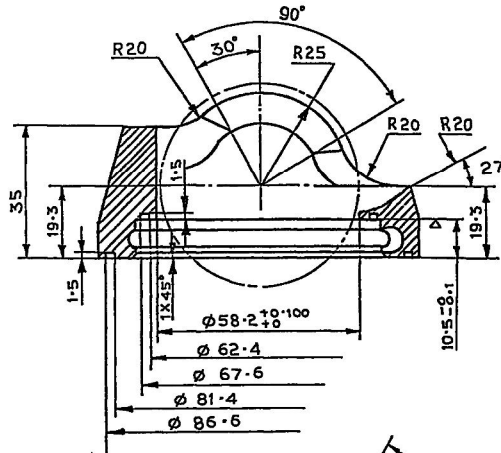
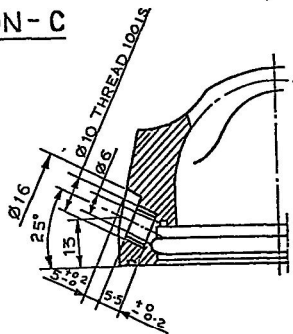


SECTION - B

Ø4 IS X0-70 PITCH FOR
WITHOUT HEAD OF 4X6

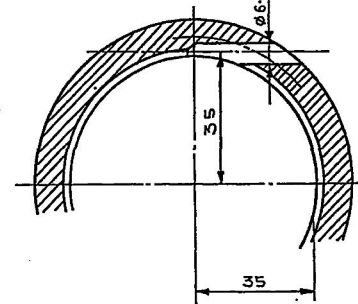
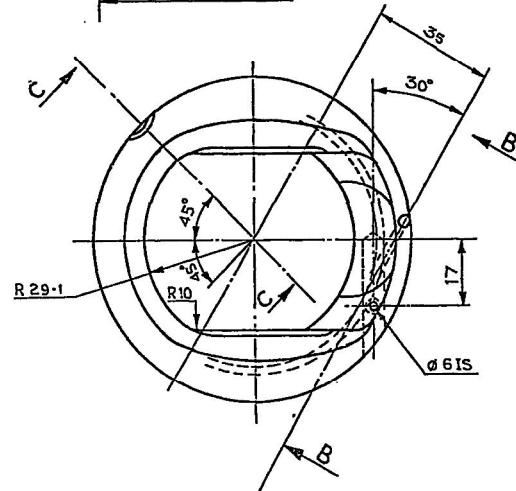


SECTION - C



SECTION - A

MATERIAL:-
BS:970:PART 1:1983 Gde 709 M 40



NOTE:-

*FOR AMG 72050-Y
WHEN MANUFACTURED AS SPARES TO PART No.
AMG 72050-Y. THE DIMENSION Ø70 H 10^{+0.120}
& Ø74^{+0.100} TO BE 69.5 (NOMINAL) H10^{+0.120}
AND Ø73.5 (NOMINAL) ^{+0.100} RESPECTIVELY.
TO BE ADJUSTED ON ASSY. WITH FIXED SOCKET
(AMG 71409) TO ENSURE PROPER ROTATING ACTION
WITHOUT EXCESSIVE PLAY.

DATE	AUTHORITY	ZONE	NATURE	SIG AHS?	SIG DO
22-10-03	18012-W		HINDI NOMEN. ADDED.		
6.10.93	17741-W		A2 SIZE DRG. REDUCED TO A3		
			PREV. DC (I) Nos. 9536-W, 9801-W, 10495-W, 11443-W, 14135-W, 14392-W, 15493-W & 16809-W DT. 31.8.89.		
AMENDMENTS					

MATER:-25 CD 4 MECHANIC CHARACT:- STATE OF SURFACE:- GENERAL MARGINS:- ⁶³ ±0.125 N	HOTCHKISS BRANDT 52 CHAMPS ELYSEES PARIS 6 ^e
CHIEF D ^R MAN DO	ASSY DRG. CQA(W) JABALPUR
AHSP FOR CQA(W)	ESTD MASS DESIGN No.
DRG. SEALED 11443-W DT. 22.2.67 DO CQA(W)	DATE SCALE NTS DRN CHD
PART No. AMG No. 72050 AMG 72050-Y D S CAT No.	
ROTATING SOCKET BASE PLATE 81 mm LIGHT MORIAR रोटेटिंग साकेट	

REDUCED AT CQA(W) JABALPUR
PREPARED BY *[Signature]* CHECKED BY *[Signature]* DATE 4.8.94