

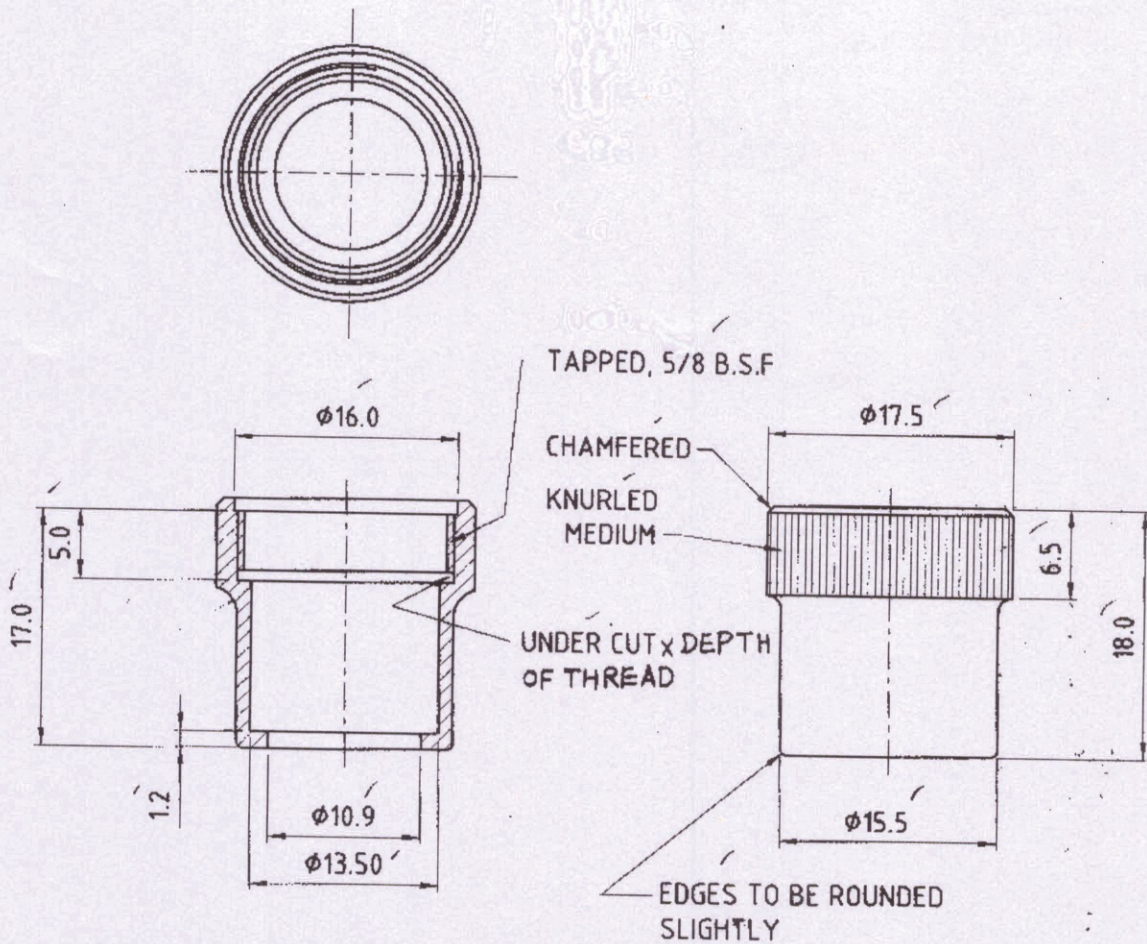
14

CHEST, SPARE PARTS, TOOLS & ACCESSORIES, 101C NUT, CLAMPING -

DRG. No. :- CII-399/14.

MCT-3163

ORDNANCE FACTORY, DEHRADUN.



MATL :- BRASS, IS:319-1968/CuZn42 Pb.3
FINISH :- DULL BLACK BRONZED

FOR TRADE USE
Date of Issue - 24/05/24 Rg

ALL DIMENSIONS ARE MM.
IMPORTANT DIMENSIONS MARKED THUS ●
INFORMATION MARKED THUS † TO BE MARKED ON.

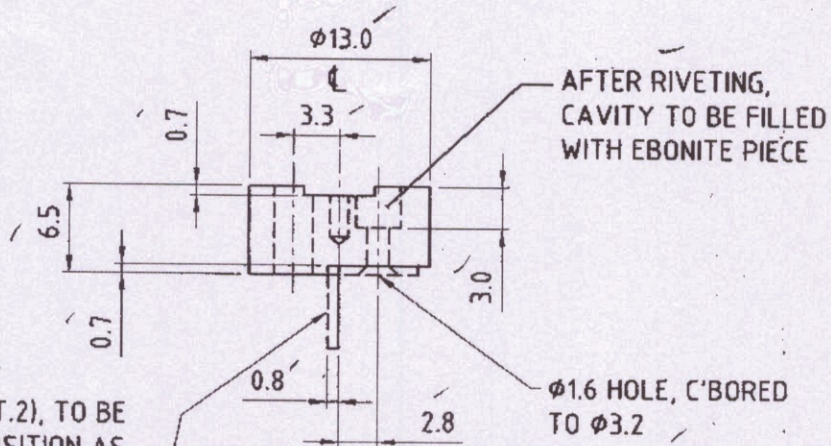
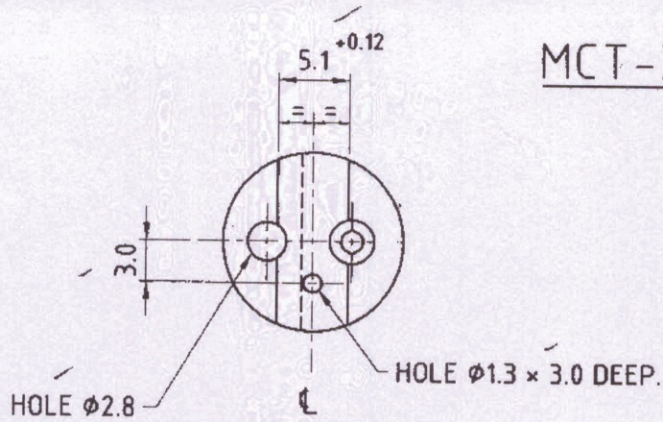
	DR.- R.K.SHARMA	DT.-22.09.2011	SCALE- 2:1
	TR.-	MATL. AS ABOVE	TREAT. AS ABOVE
	CH.- <i>Ar</i>	SHTS.- 1	SHT.NO.- 1
	APPROVED.	DRAWING No.- MCT-3163	
AMENDMENT'S.	<i>Ar</i>		
OFD/DO/002	JWM/DO. AWM/ASSY.		

(13)

CHEST, SPARE PARTS, TOOLS & ACCESSORIES, 101C BUSH, INSULATING

DRG. No. :- CII-399/15 (SHT.1 OF 2)

MCT-3190



MCT-3190
CII-399/15 (SHT.2), TO BE RIVETED IN POSITION AS SHOWN IN CHAIN DOTTED LINES, WITH RIVET, COPPER, FLAT HD. $\phi 1.6 \times 5.0$ LONG---1

FOR TRADE USE
Date of Issue 04/10/11

MATL. :- EBONITE OF IS:6693-1972.

FINISH :- CLEANED.

ALL DIMENSIONS ARE MM.
IMPORTANT DIMENSIONS MARKED THUS ●
INFORMATION MARKED THUS † TO BE MARKED ON.

		DT.-21.09.2011	SCALE- 2:1
DR.- R.K.SHARMA		<u>MATL.</u>	<u>TREAT.</u>
TR.-		AS ABOVE	-
CH.- <i>[Signature]</i>		SHTS.- 2	SHT. NO.- 1
APPROVED.		DRAWING No.- MCT-3190	
<i>[Signature]</i>			
JWM/DO.			
AMENDMENTS.			
OFD/DO/002			
		AWM/ASSY.	

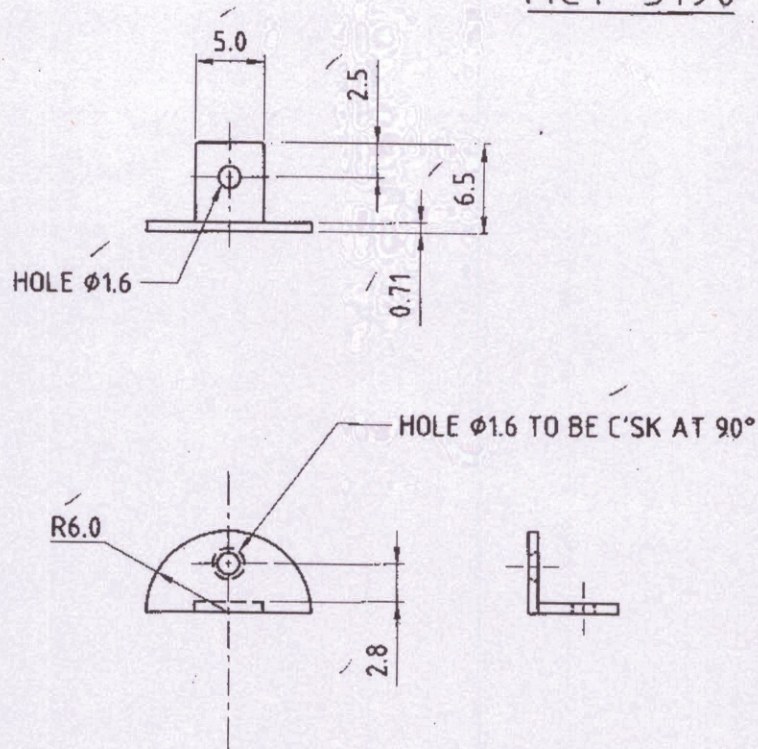
ORDNANCE FACTORY, DEHRADUN.

12

CHEST, SPARE PARTS, TOOLS & ACCESSORIES, 101C BUSH, INSULATING

DRG. No. :- CII-399/15 (SHT.2 OF 2)

MCT-3190



ORDNANCE FACTORY, DEHRADUN.

FOR TRADE USE
Date of Issue 04/01/21

MATL. :- BRASS CuZn 30 HB OF IS:410-1977.
FINISH :- CLEANED.

PLATE BOTTOM

ALL DIMENSIONS ARE MM.
IMPORTANT DIMENSIONS MARKED THUS ●
INFORMATION MARKED THUS † TO BE MARKED ON

	DR.- R.K.SHARMA	DT.-21.09.2011	SCALE- 2:1
	TR.-	<u>MATL.</u>	<u>TREAT.</u>
	CH. <i>ak</i>	AS ABOVE	-
		SHTS.- 2	SHT. NO.- 2
	<u>APPROVED</u>	<u>DRAWING No. -</u> <u>MCT-3190</u>	
AMENDMENTS:	<i>ak</i>		
OFD/DO/002	JWM/DO. AWM/ASSY.		

(11)

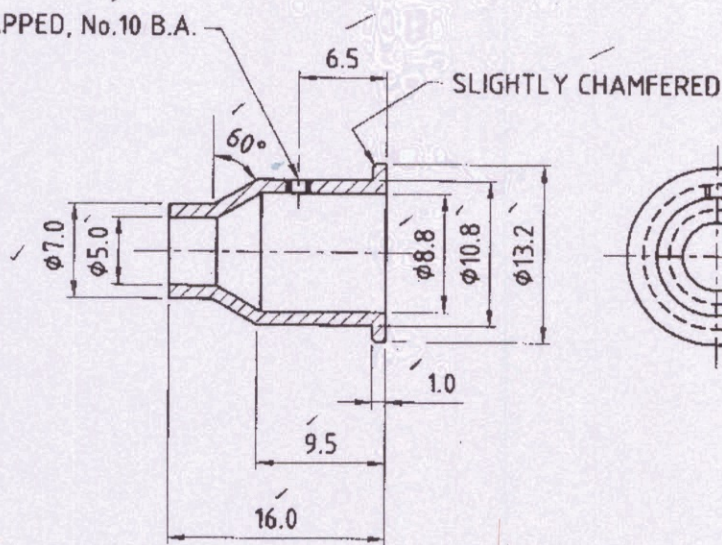
CHEST, SPARE PARTS, TOOLS & ACCESSORIES, 101C SOCKET

DRG. No. :- CII-399/13

MCT-3189

ORDNANCE FACTORY, DEHRADUN.

HOLE, TAPPED, No.10 B.A.



FOR TRADE USE
Date of Issue 04/01/21
Ref

MATL. :- BRASS, Gde.-I HB OF IS:319-1989.

FINISH :- DULL BRONZE BLACK TO IS:1378-1979.

ALL DIMENSIONS ARE MM.

IMPORTANT DIMENSIONS MARKED THUS ●

INFORMATION MARKED THUS † TO BE MARKED ON

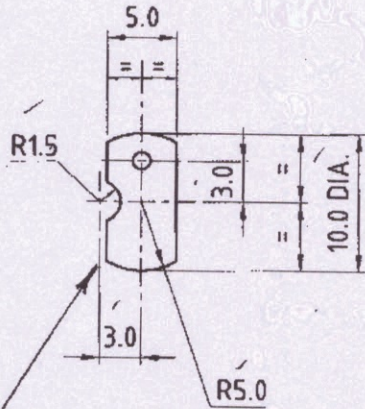
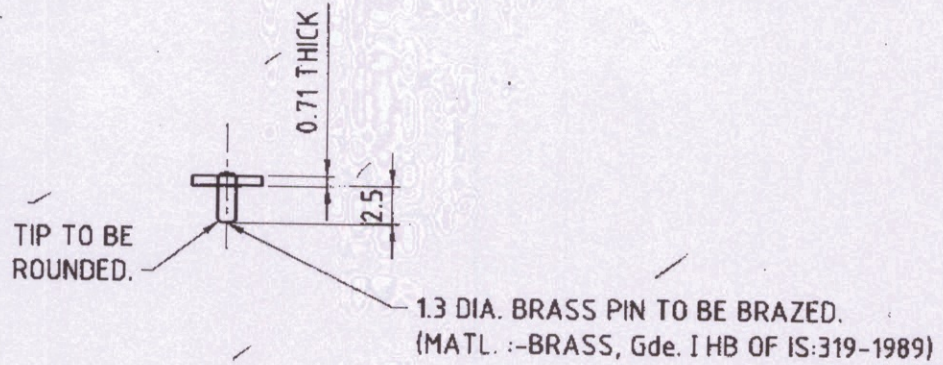
		DT.-20.09.2011	SCALE- 2:1
	DR.- R.K.SHARMA	<u>MATL.</u>	<u>TREAT.</u>
	TR.-	AS ABOVE	-
	CH.- <i>at</i>	SHTS.- 1	SHT. NO.- 1
	<u>APPROVED.</u>	<u>DRAWING No. -</u>	
AMENDMENTS:	<i>at</i>	MCT-3189	
OFD/DO/002	JWM/DO.	AWM/ASSY.	

10

CHEST, SPARE PARTS, TOOLS & ACCESSORIES, 101C PLATE, WALL, ELECTRICAL

DRG. No. :- CII-399/16

MCT-3191



MATL. :- BRASS CuZn 30 HD OF IS:410-1977.
FINISH :- CLEANED.

FOR TRADE USE
Date of Issue 04/01/21
Raj

ALL DIMENSIONS ARE MM.
IMPORTANT DIMENSIONS MARKED THUS ●
INFORMATION MARKED THUS † TO BE MARKED ON

		DT.-21.09.2011	SCALE- 2:1
	DR.- R.K.SHARMA	<u>MATL.</u>	<u>TREAT.</u>
	TR.-	AS ABOVE	AS ABOVE
	CH.- <i>sh</i>	SHTS.- 1	SHT. NO.- 1
	<u>APPROVED.</u>	DRAWING No. - MCT-3191	
AMENDMENTS.	<i>sh</i>		
OFD/DO/002	JWM/DQ. AWM/ASSY.		

ORDNANCE FACTORY, DEHRADUN.

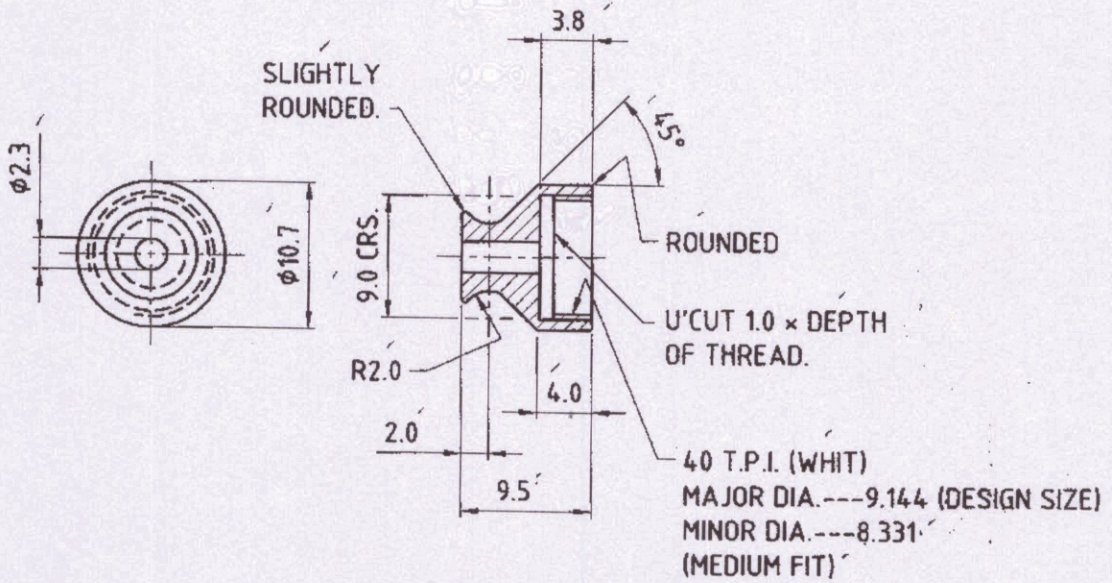
9

CHEST, SPARE PARTS, TOOLS & ACCESSORIES, 101C NUT, SPECIAL

DRG. No. :- CII-399/6 /

MCT-3185 ✓

ORDNANCE FACTORY, DEHRADUN.



FOR TRADE USE
Date of Issue 04/01/2011
Date of Issue
FOR TRADE USE

MATL :- BRASS, Gde.-I HB, TO IS:319-1989.
FINISH :- CLEANED.

ALL DIMENSIONS ARE MM.
IMPORTANT DIMENSIONS MARKED THUS ●
INFORMATION MARKED THUS † TO BE MARKED ON.

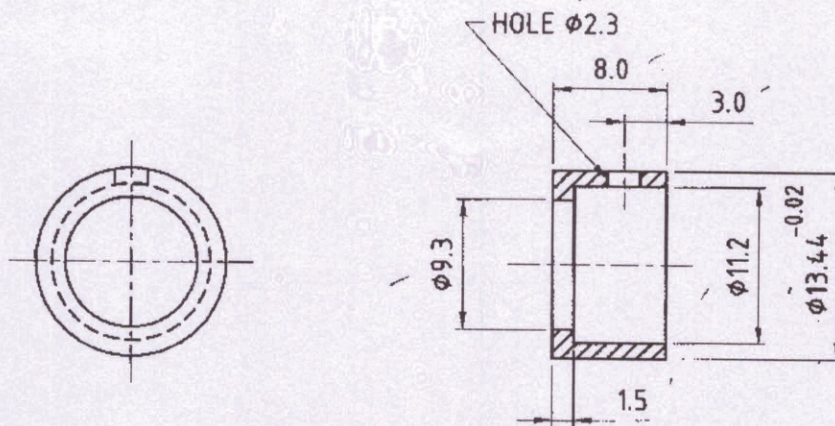
	DR.- R.K.SHARMA	DT.-17.09.2011	SCALE- 2:1
	TR.-	MATL AS ABOVE	TREAT AS ABOVE
	CH.-	SHTS.- 1	SHT. NO.- 1
	APPROVED.	DRAWING No.- MCT-3185 ✓	
AMENDMENTS.	JWM/DO.		
OFD/DO/002	AWM/ASSY.		

CHEST, SPARE PARTS, TOOLS & ACCESSORIES, 101C
RING INSULATING

DRG. No. :- CII-399/5

MCT-3184

ORDNANCE FACTORY, DEHRADUN.



MATL. :- EBONITE OF IS:6693-1972.
FINISH :- CLEANED.

FOR TRADE USE
Date of issue 04/01/11

ALL DIMENSIONS ARE MM.
IMPORTANT DIMENSIONS MARKED THUS ●
INFORMATION MARKED THUS † TO BE MARKED ON.

		DT.-16.09.2011	SCALE- 2:1
	DR.- R.K.SHARMA	<u>MATL</u>	<u>TREAT.</u>
	TR.-	AS ABOVE	AS ABOVE
	CH.- <i>at</i>	SHTS.- 1	SHT. NO.- 1
	APPROVED.	DRAWING No. - <u>MCT-3184</u>	
AMENDMENTS.	<i>at</i>		
OFD/DO/002	JWM/DO. AWM/ASSY.		