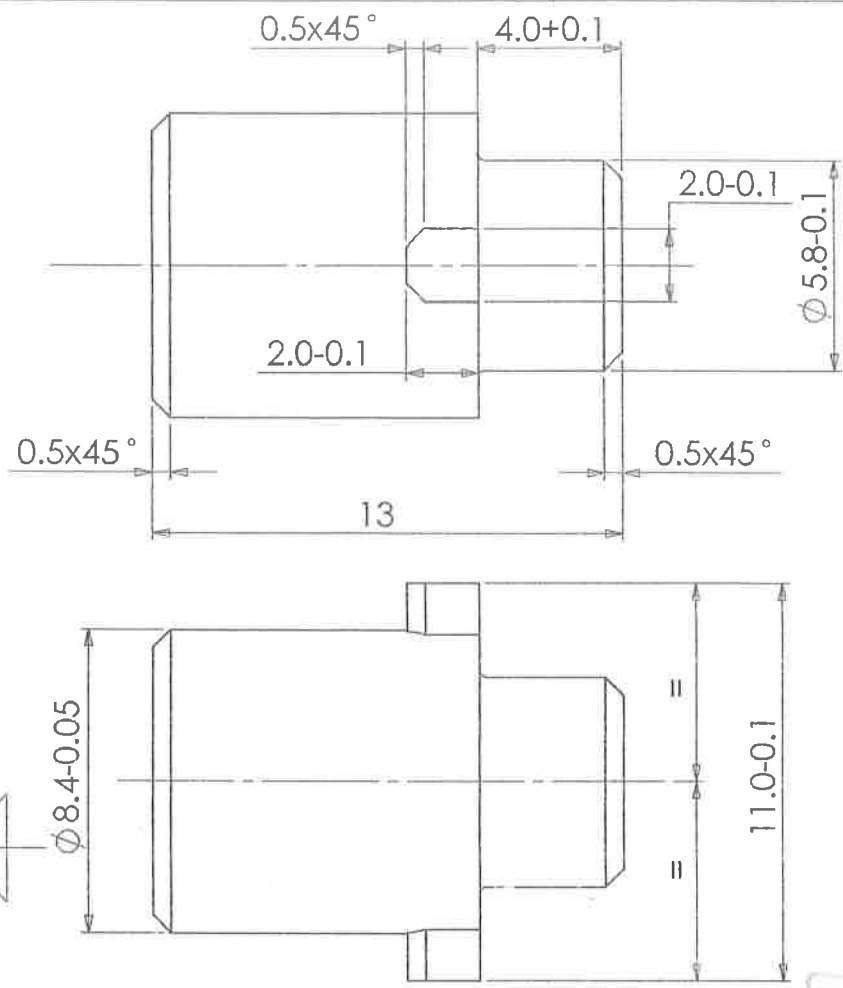


DRG.No. 0204 03 02 02 19 002 00DD  
 IC SS S AA A C SST

GEN. TOL. FINE/MEDIUM/COARSE  
 CLASS TO IS: 2102

DRG. CONVENTIONS CONFIRM TO INDIAN STD.  
 DIMN. IN mm UNLESS OTHERWISE STATED



DIAMOND KNURLING

- NOTES:  
 1) REMOVE ALL SHARP RDGES AND BURRS.  
 2) HARDNESS 300-350 HV  
 3) ALT. MATL.: MIM S7 (AISI S7 EQUIVALENT)  
 HARDNESS 500-600HV

CONTROL COPY No.

3	07/12/15	M-29	DRG REVISED	-	-	-
2	07/03/14	M-21	DRG REVISED	-	-	-
1	05/03/13	M-20	DRG REVISED	-	-	-

Sr. No.	DATE	AUTHORITY	BRIEF RECORD	ZONE	CD	CO
					SIGN	

DRN. PRANAV CHD. MATERIAL :- STEEL TO IS:5517-1993, Gd 40C8 (En-9)

APPD. DATE 07/12/15 For Director PROTECTIVE FINISH :- PHOSPHATED TO SPECN, IS:3618-1966, CLASS 'B'

SCALE:- 5:1 EST. MASS TITLE :-

DESIGN AUTHORITY ARDE PUNE 411021 **BUTTON CATCH MAGAZINE**

DRG.No. 0204 03 02 02 19 002 00DD  
 IC SS S AA A C SST

PART No. DS CAT. No. AHSP