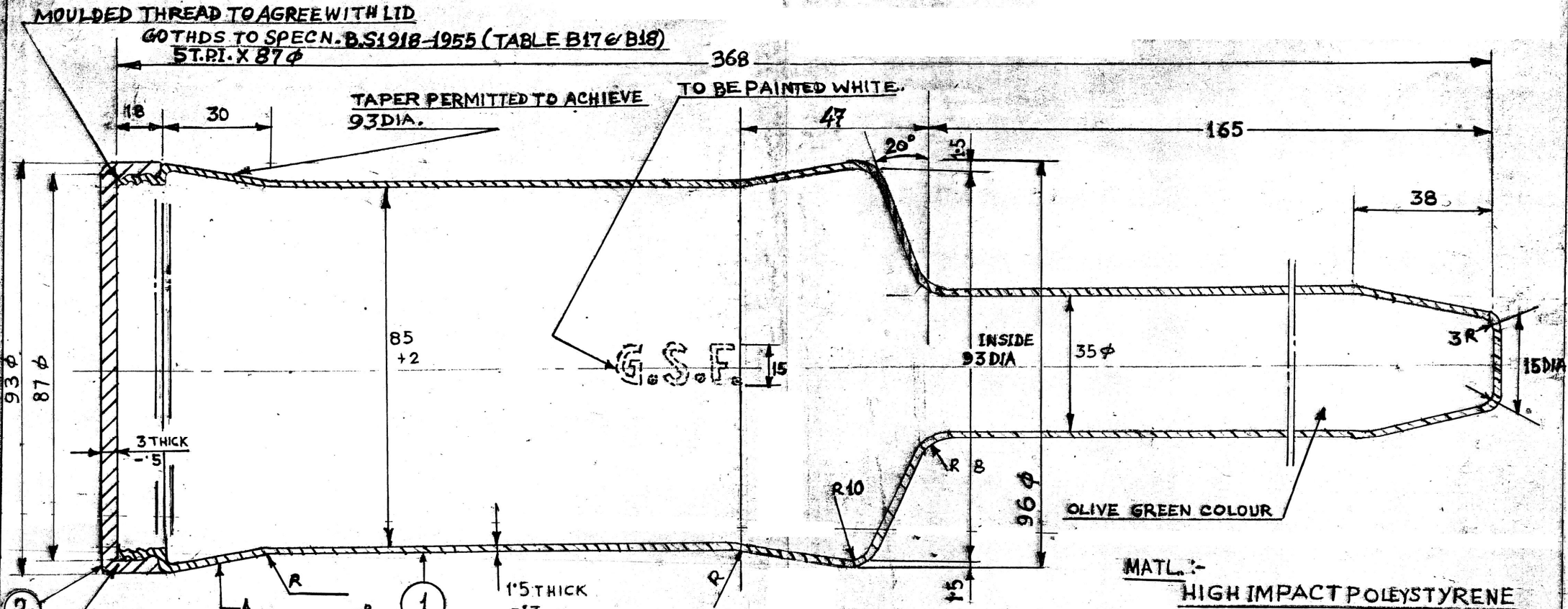


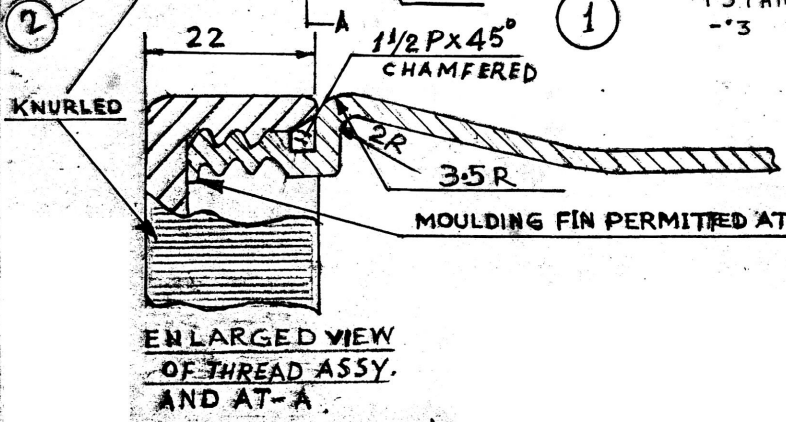
DIMNS ARE IN mm.



NOTE:-
 CONTAINER SHOULD BE WITHOUT CRACK & LEAKAGE.

FOR ALT. DESIGN SEE M.6810

ITEM NO	NO OFF	MATERIAL	DESCRIPTION
2	1	AS ABOVE	LID
1	1	AS ABOVE	BODY



PROJ. NO. 22.884

DATE 22/8/84

DRAWN BY

CHECKED BY

APPROVED BY

CONSIDERED BY T.D.S.

PLASTIC LINER FOR . . .
 BAT.P.T. PROJECTILE
 SKETCH No M6810/1