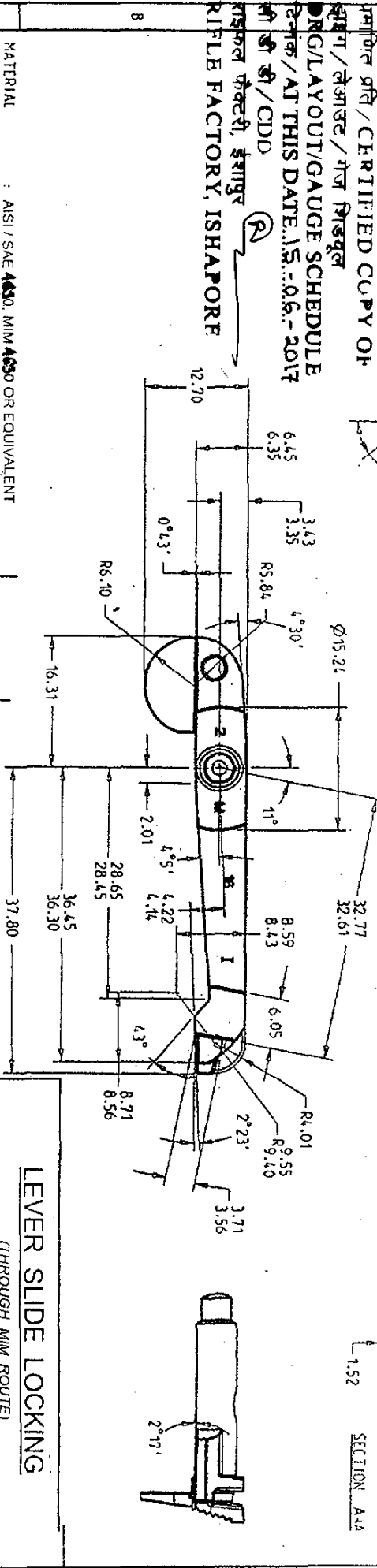
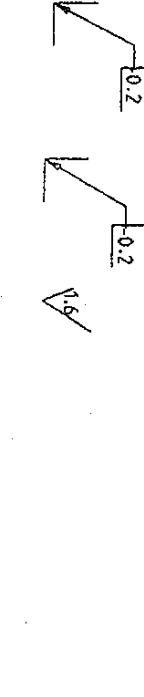


HOS | MPM
 प्रमाणित प्रति / CERTIFIED COPY OF
 ड्राइंग / लेआउट / गेज सिड्यूल
 DRG/LAYOUT/GAUGE SCHEDULE
 तारीख / AT THIS DATE: 15.06.2017
 पी सी / CDD
 राइफल फॅक्टरी, इशापुर
 RIFLE FACTORY, ISHAPUR



MATERIAL : AISI / SAE 4330, MIN 4330 OR EQUIVALENT
 HARDNESS : 83-86 HR 15N
 SUPPLY CONDITION : MANGANESE PHOSPHATED



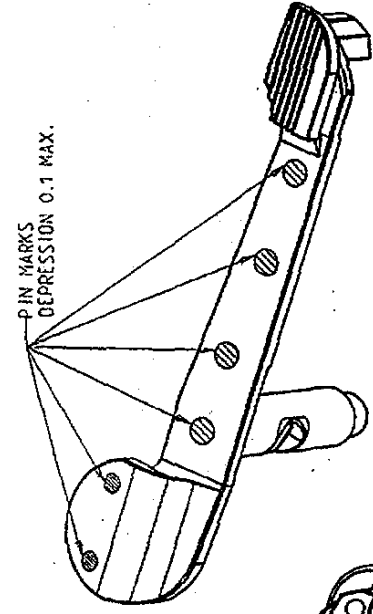
NOTE:- 1. ALL DIMENSIONS ARE IN MM.
 2. GENERAL TOLERANCES ARE AS PER ISO 2768 (M).

LEVER SLIDE LOCKING
 (THROUGH MIN ROUTE)

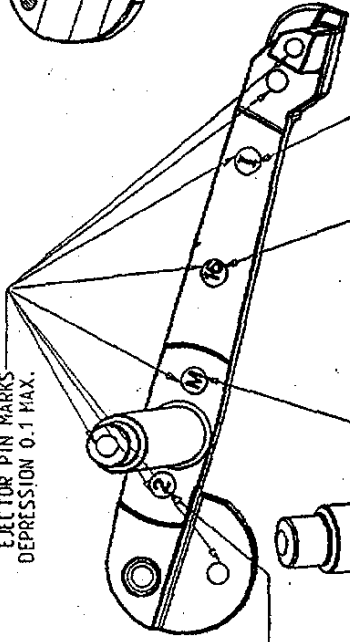
DRG. REF. NO. - D.S.CAT 1005-003189

DRG. NO. - RFI.SK 10128

PARTING SURFACE



EJECTOR PIN MARKS DEPRESSION 0.1 MAX.

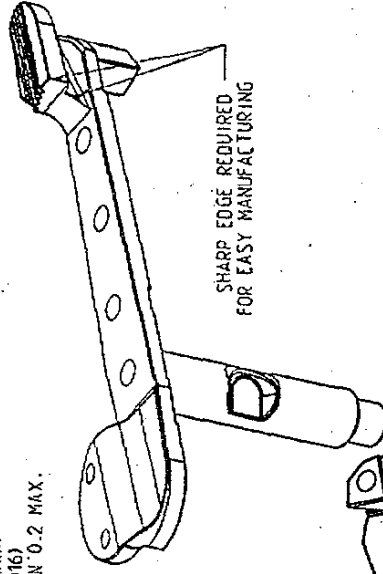


CAVITY ID MARK AS #12... DEPRESSION 0.2 MAX. (APPLICABLE FOR MULTI CAVITY)

MANUFACTURING ID MARK AS "1" DEPRESSION 0.2 MAX.

MIM PROCESS ID MARK AS "M" DEPRESSION 0.2 MAX.

YEAR ID MARK AS "16"(2016) DEPRESSION 0.2 MAX.



SHARP EDGE REQUIRED FOR EASY MANUFACTURING

SLIDE AND INSERT LINE MARKS MISMATCH 0.05 MAX. (WILL BE WITHIN THE TOLERANCE SPECIFICATION)

PARTING LINE MARKS MISMATCH 0.05 MAX. (WILL BE WITHIN THE TOLERANCE SPECIFICATION)

SLIDE LINE MARKS MISMATCH 0.05 MAX. (WILL BE WITHIN THE TOLERANCE SPECIFICATION)

GATE MARK DEPRESSION 0.2 MAX.(PROTRUSION NOT ABOVE THE SURFACE 'A')

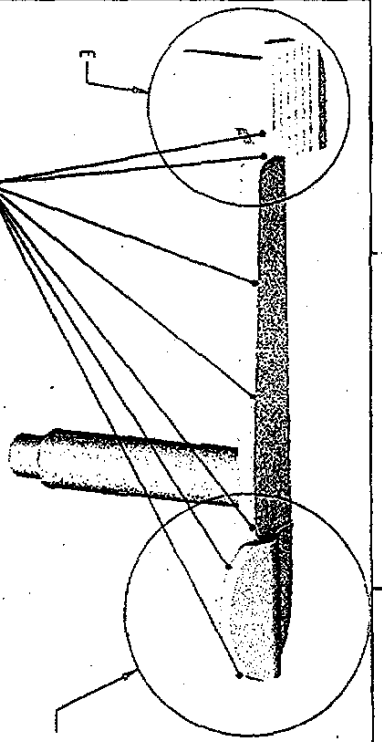
LEVER SLIDE LOCKING

(THROUGH MIM ROUTE)

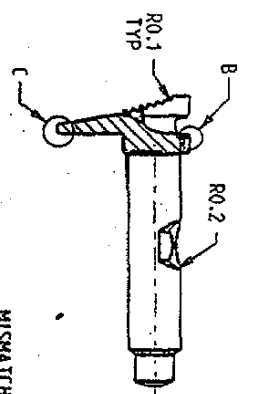
DRG. REF. NO. - D.S.CAT 1005-003189

DRG. NO. - RFLSK 10128

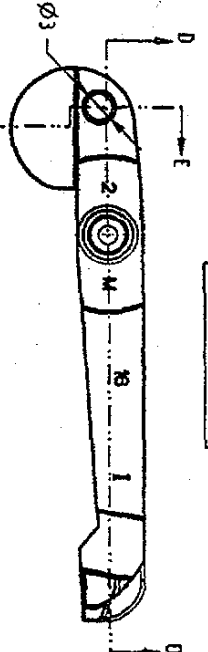
NOTES:-
VOLUME OF THE PART = 1.18 CC
MINIMUM WALL THICKNESS = 0.89mm



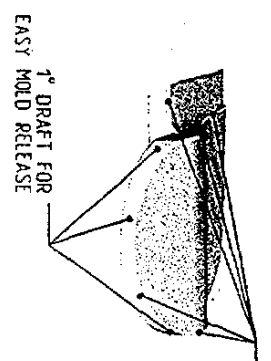
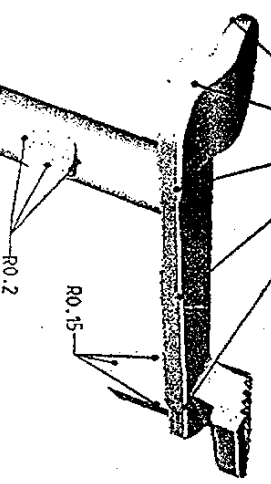
0.02 LAND AND OFFSET REQUIRED ON THESE SURFACE TO AVOID PARTING LINE MISMATCH (WILL BE WITHIN THE TOLERANCE SPECIFICATION)



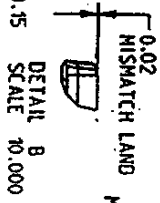
SECTION E-E



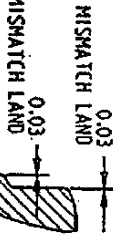
COUNTER FOR GATE



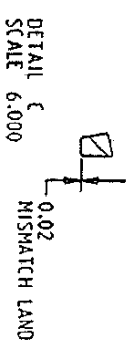
DETAIL D
SCALE 5,000



DETAIL B
SCALE 10,000

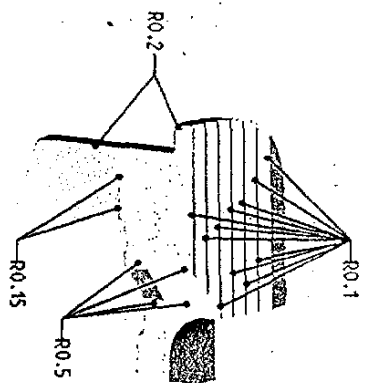
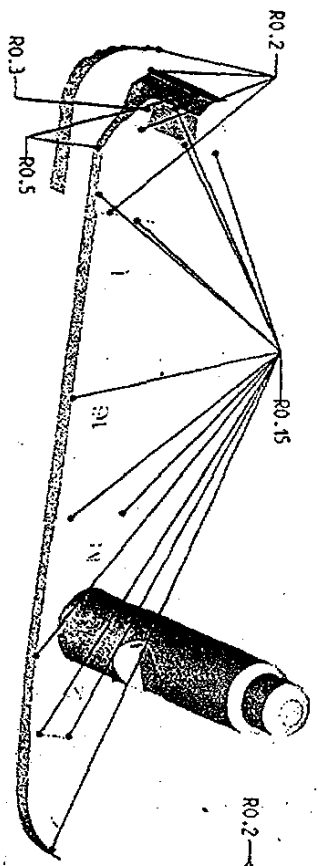


DETAIL F
SCALE 6,000

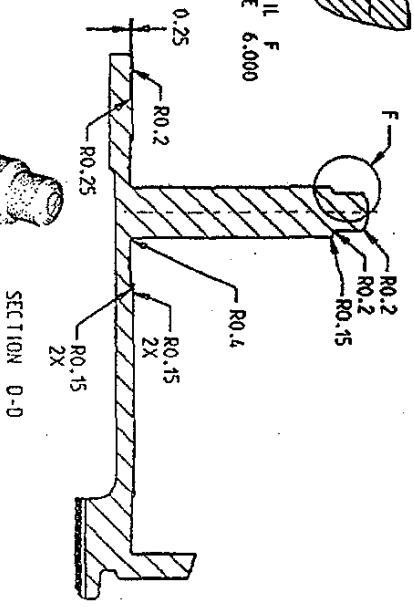


DETAIL E
SCALE 6,000

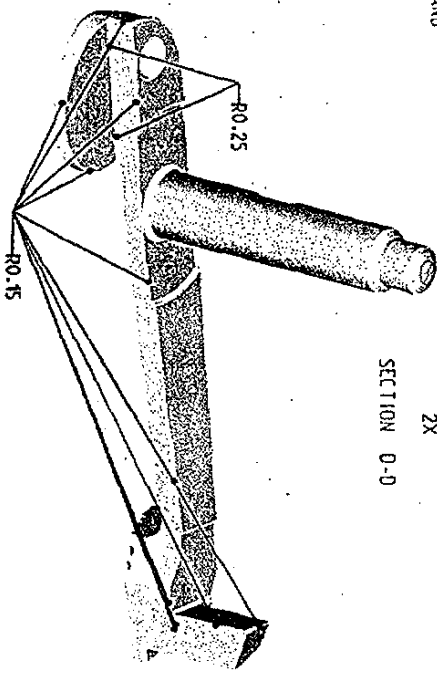
1° DRAFT FOR EASY MOLD RELEASE



DETAIL E
SCALE 6,000



SECTION D-D



LEVER SLIDE LOCKING

(THROUGH MM ROUTE)

DRG. REF. NO. - D.S. CAT 1005-003189

DRG. NO. - REISK 10128

A 6 5 4 3 2 1