

EPD-4548/A
(METRIC)

AMENDMENTS

D.C.(I)	NATURE
RDEE/0037 26-11-70	PROVISIONALLY SEALED

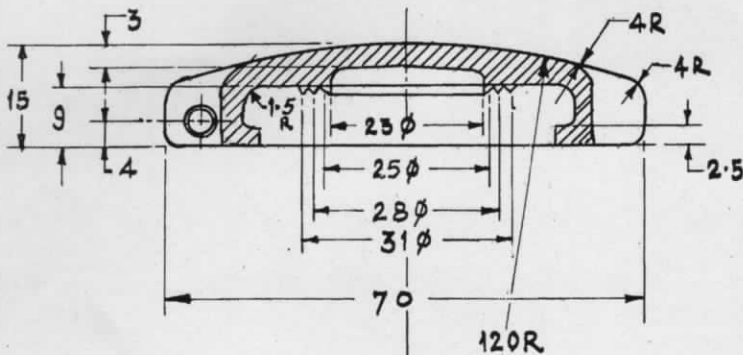
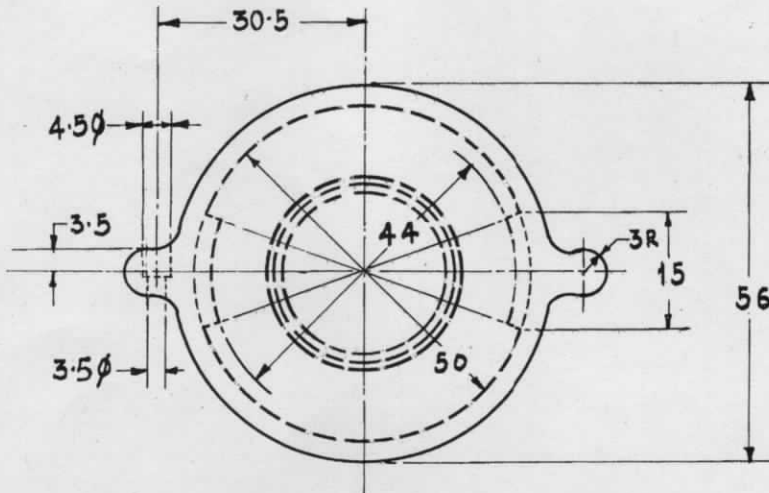
Bhalerao
ASST. DIRECTOR

RDEE/0045 4-6-71	Ⓐ MATERIAL WAS HOSTAFORM C9020 ONLY. DRG No. ADVANCED TO/A <i>Keppard</i> ASST. DIRECTOR
---------------------	---

RDEE/0059 10-1-72	SEALED <i>Bhalerao</i> I. COL AD. E & M.
----------------------	---

ES/E2/162 21-6-79	Ⓑ DRG CONVERTED INTO SI UNIT. DRG NO. ADVANCED TO/B. <i>Keppard</i> SSO II ACIE(DRG)
----------------------	---

ES/14/210 31-1-84	Ⓒ IN NOTE DIN- 7168 DELETED & NEW IS ADDED DRG No. ADVANC- ED TO/C <i>Keppard</i> SSO II ACIE(DRG)
----------------------	---



COPY ISSUED BY CDD/OTAJ
एक प्रति सो डी डी/सो. एफ.ए. ज.
द्वारा की गई है
दिनांक: 16-06-21
Date: 16-06-21
for JWM/CDD

NOTE:-

FOR DIMENS. WITHOUT TOLERANCES = Ⓒ

~~MEDIUM DIN 7168~~ = IS-2102 (MEDIUM)

MATERIAL	SIZE	QTY	WT.
Ⓐ HOSTAFORM C9020 OR ANY OTHER MATERIAL HAVING EXACTLY SAME PHYSICAL AND CHEMICAL PROPERTIES			21.816 kg.

SCALE:- 1:1.
THIRD ANGLE PROJECTION.
ORIGINAL DATE:- 10-12-70

ALL DIMENSIONS IN mm UNLESS
OTHERWISE SPECIFIED.
ALL SHARP EDGES & CORNERS
TO BE ROUNDED OFF.

PERTAINS TO:-
ESA-463/

DRN. TCD *Kardesha*

STAMP PART No; MANUFACTURER'S
NAME & YEAR OF MANUFACTURE.

CAP, VALVE

SABASIT
CKD S.L. PSD *Keppard*
C'D/MAN. 27.1.71 PROJ. OFFR.

TOLERANCE ON MACHINED DIMENS.
UNLESS OTHERWISE SPECIFIED.
GENERAL, DECIMAL, ANGULAR

RDE(ENGRS) DRG. No.
EPD-4548/A
(METRIC)

APPROVED *Bhalerao*
LT. COL
ASST. DIRECTOR

A B C

RESEARCH & DEVELOPMENT ESTABLISHMENT (ENGINEERS)

C'D/MAN:- *Jo Shree* CHD BY:- *Keppard* COVTD BY:- *Bhalerao* INKED BY:- *Keppard*