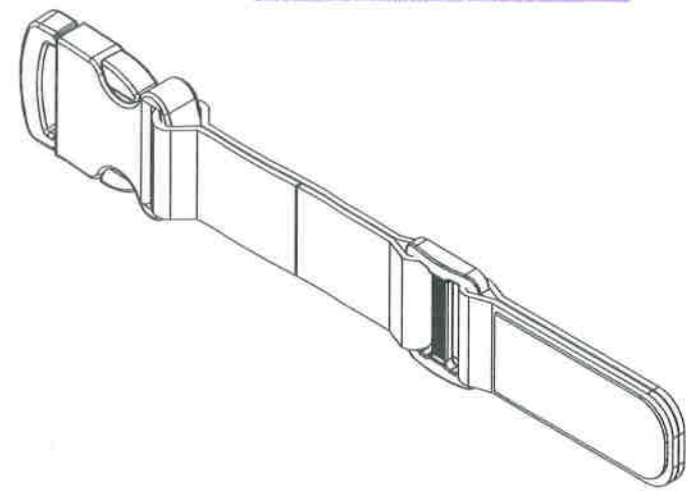
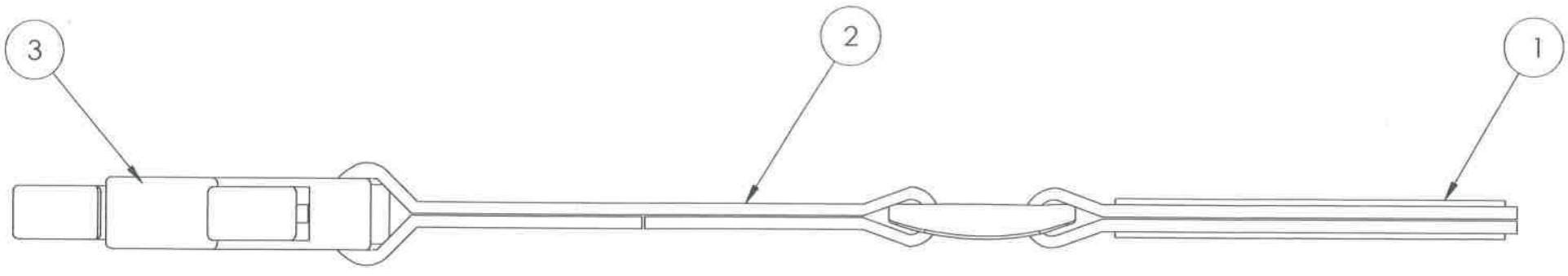
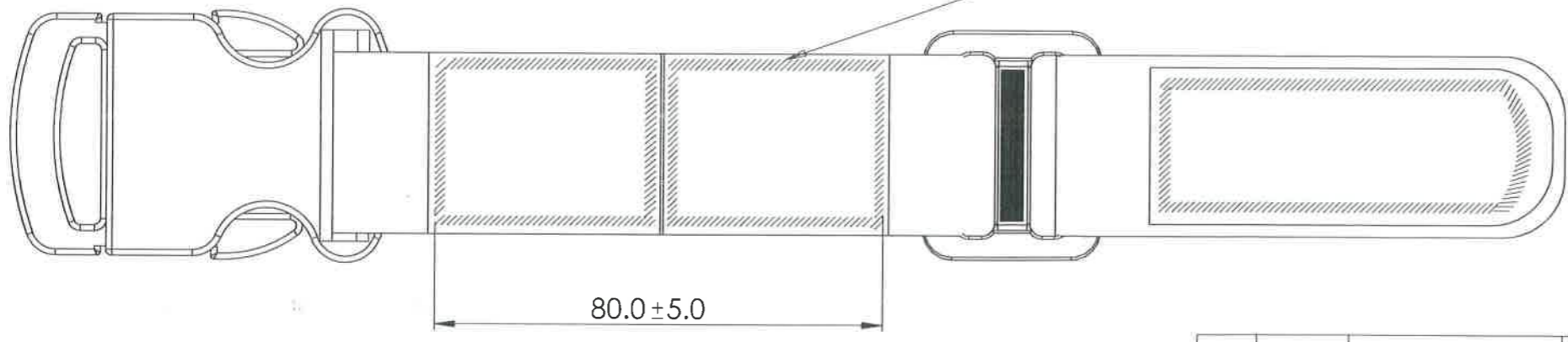


DRG NO 0204 0301 0300000DA
 IC SS S AA A C SST
 GEN.TOL. ±0.2
 DRAWING CONVENTION CONFIRM TO INDIAN STDS.
 DIMN.IN mm UNLESS OTHERWISE STATED

CONTROL COPY No. 1



TO BE STITCHED AS SHOWN WITH STEEL GREY (COLOUR NO. 698 TO IS:5-2007) NYLON THREAD TO IS:4229,40 STICHES PER 100 LENGTH, AFTER ASSEMBELED WITH QRB AND STRAP PULLING ASSEMBLY.



NOTE:-
 ALL ENDS OF WEBBING
 TO BE HEAT SEALED

ITEM NO.	PART NUMBER	DRAWING NUMBER	QTY.
1	STRAP PULLING ASSEMBLY	0204-04-03-01-03-000-00DA	1
2	STEEL GREY (COLOUR NO. 698 TO IS: 5-2007) NYLON WEBBING 30.0 WIDTH X 2.0 THICK X 300.0 LENGTH	IS: 4727-1968-TYPE- 2	1
3	QUICK RELEASE BUCKLE (QRB)	STD. COMPONENT	1

R NO	DATE	AUTHORITY	BRIEF RECORD	ZONE	CD	GD
DRN	SD	CHD	MATERIAL	SIGN		
APPD	DATE 05/10/15	FOR DIRECTOR	PROTECTIVE FINISH			
SEALED	DATE	SCALE 1:1	EST MASS	TITLE		
DESIGN	AUTHORITY	ARDE		QRB AND STRAP PULLING ASSEMBLY		
DRG NO	0204	04	03	00	01	000000DA
	IC	SS	S	AA	A	C SST
PART NO	DS CAT NO			AHSP		