

DRG. NO : FS-2955

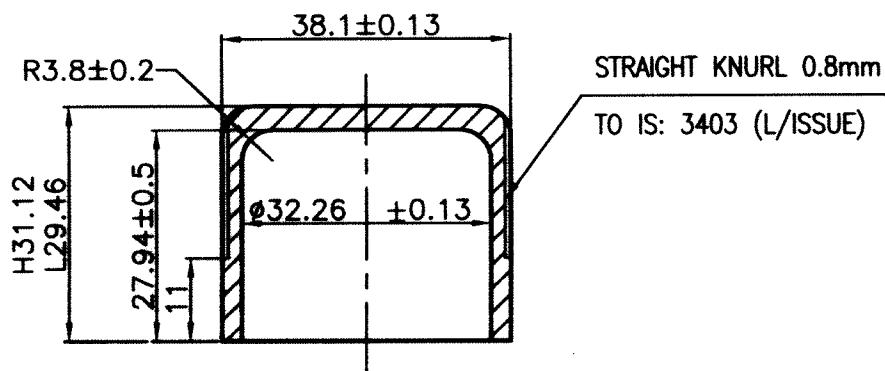
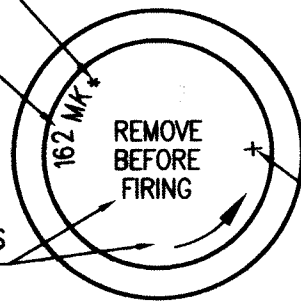
A M E N D M E N T

REV	DATE	DESCRIPTION	SIGN

MARK OF FUZE AS ORDERED

No OF FUZE IN 5 TYPE  
MK OF FUZE IN 2.5 TYPE  
FILLED IN WITH RED

LEGEND IN 2.5 LETTERS  
FILLED IN WITH WHITE



MATERIAL: STEEL TO SPEN BS.1449: Pt.1-1983 SECTION 2, GRADE CR3 OR CS3 OR STEEL TO BS.970 Pt.1-1983 STEEL GRADE 220 M 07 OR ZINC BASE ALLOY (DIE CASTING) TO SPECN BS.1004 (LATEST ISSUE) ALLOY 'A' OR SPECN IS:742 (LATEST ISSUE) ALLOY ZnAL4 CASTING MUST TO THE CURRENT ISSUE OF SPECN DEF 17B (a) JAN 1969 CLASS 2

NOTE:

- 1) TOL. ON UNTOL DIMENS. FOR ONE DECIMAL PLACE  $\pm 1.3$   
FOR TWO OR MORE DECIMAL PLACE  $\pm 0.13$
- 2) THROUGH SURFACE TREATMENT & PACKING IS NOT MENTIONED, FIRM HAS TO TAKE NECESSARY CARE, SO THAT COMPONENT DOES NOT GET DAMAGED DURING TRANSIT & STORAGE.

DIMENSIONS ARE IN mm			MATERIAL: AS ABOVE	<b>आर्डेन्स फैक्टरी अम्बाझरी</b> <b>ORDNANCE FACTORY, AMBAZHARI</b>
THIRD ANGLE PROJECTION			NOMENCLATURE  <b>BLANK FOR SAFETY CAP</b>	
SCALE - 1:1				SHEET NO.- 1
2010	NAME	DATE		NO.OF SHEETS - 1
DRAWN	<i>BWS</i>			OPERATION -
CHECKED	<i>[Signature]</i>		COMPT. IQX 14	
JWM/CDD	<i>[Signature]</i>	13/11		
APPVD	Jt.GM/FS	<i>[Signature]</i>	M/C- STORE FUZE 162	
		13/10/10		

REF: SAFETY CAP TO DRG NO IQX 14 (STORE- FUZE 162) & FS-647 (L/ISSUE)