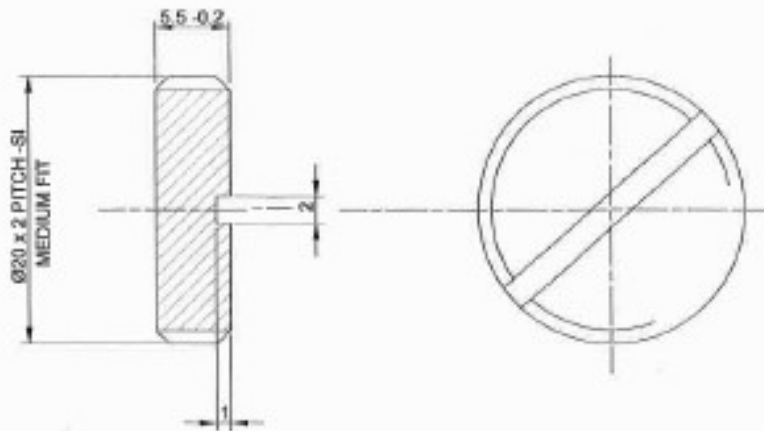


DRG. NO:

C PLG 081 1 030 0

**REFERENCE**



UNLESS OTHERWISE SPECIFIED TOL. ARE  
 UPTO 10mm = ±0.1  
 ABOVE 10mm = J 13

ALL DIMS. ARE IN mm

MATERIAL		LATEST REF./DC NO.:	
STEEL TO SPECN.B.S-970p13, 1991, GRADE 070M20 NORMALISED OR BRIGHT FINISHED (OTHER THAN COLD DRAWN)	1		C.22A3, AIRNEG DRG TV-52
GAUGE SCHEDULE		DRAWN	<i>[Signature]</i>
I-1552		CHECKED USER SEC	<i>[Signature]</i>
SURFACE FINISH		CHECKED HOS./DOO.	<i>[Signature]</i>
3.2		APPRD.	<i>[Signature]</i>
EST. NASS	PRO/FINAL	DATE	24/08/05
		SCALE	1:1
TITLE : PLUG REAR FOR 81mm MORTOR BOMB BODY HEAVY ALLOY PENETRATOR PROJECT		DRG. NO.:	C PLG 081 1 030 0
TIRUCHIRAPALLI			