

PLATE 5 (A)

1405

SHEET

SUPPLIER

STANDARD 304-72

CABLE LUGS

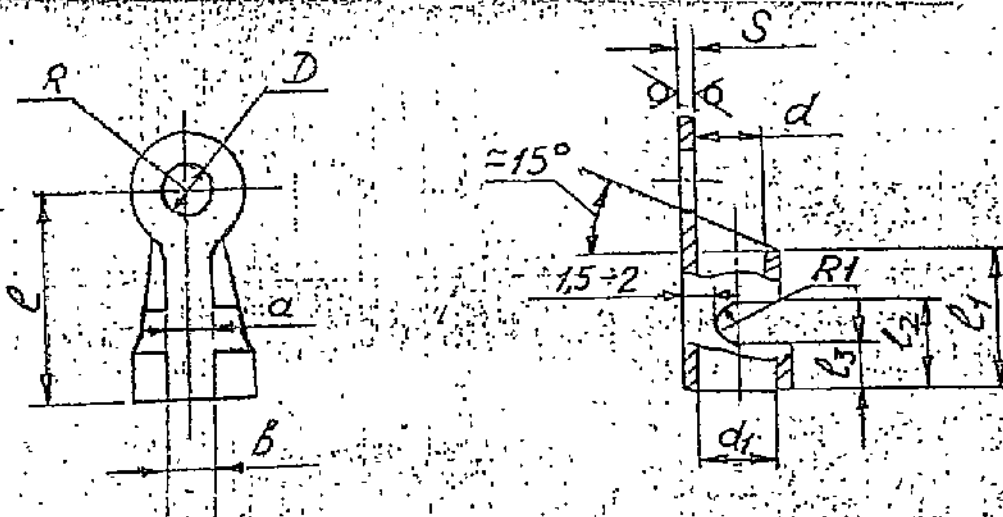
TRANSLATED	Uninstructed			Ordnance Factory Project Hyderabad
AUTHENTICATED	Corroborated			
TYPED	Uninstructed			
CHECKED				
	NAME	DATE	APPROVED	

Extract from the standard 304-72

CABLE - LUGS

Type - I

Rz80 (V)



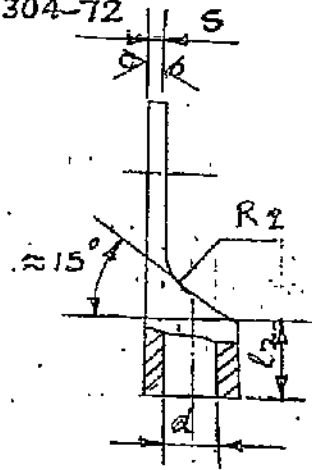
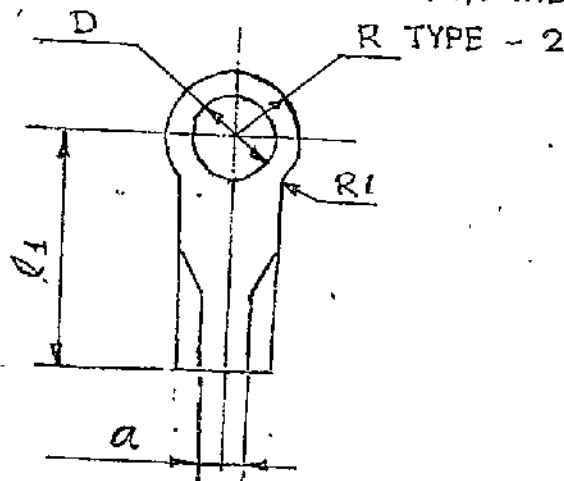
Description : Lug

Conventional designation of lug type 1

with diameter  $d$  and  $D$  : H1K-dxD

Conventional designation	d (Ag)		d <sub>1</sub> (ag)		D (ag)		R	a	b	λ	L <sub>1</sub>	L <sub>2</sub>	L <sub>3</sub>	R	S
	Nominal	Limit Deviation	Nominal	Limit Deviation	Nominal	Limit Deviation									
H1K-15x3x15	3	+0.6	3.2	+0.48	3	0.5	1	14	9	6		1	0.8	-0.1	0,0004
H1K-25x3x2	25	+0.6	3.2				1.5				4				0,0006
H1K-25x7	4	+0.75	7	+0.58	7	1	2	23	14	8		2	1	-0.12	0,003
H1K-4x5x3	4	+0.75	5.3	+0.48	5				15	10	6				0,002

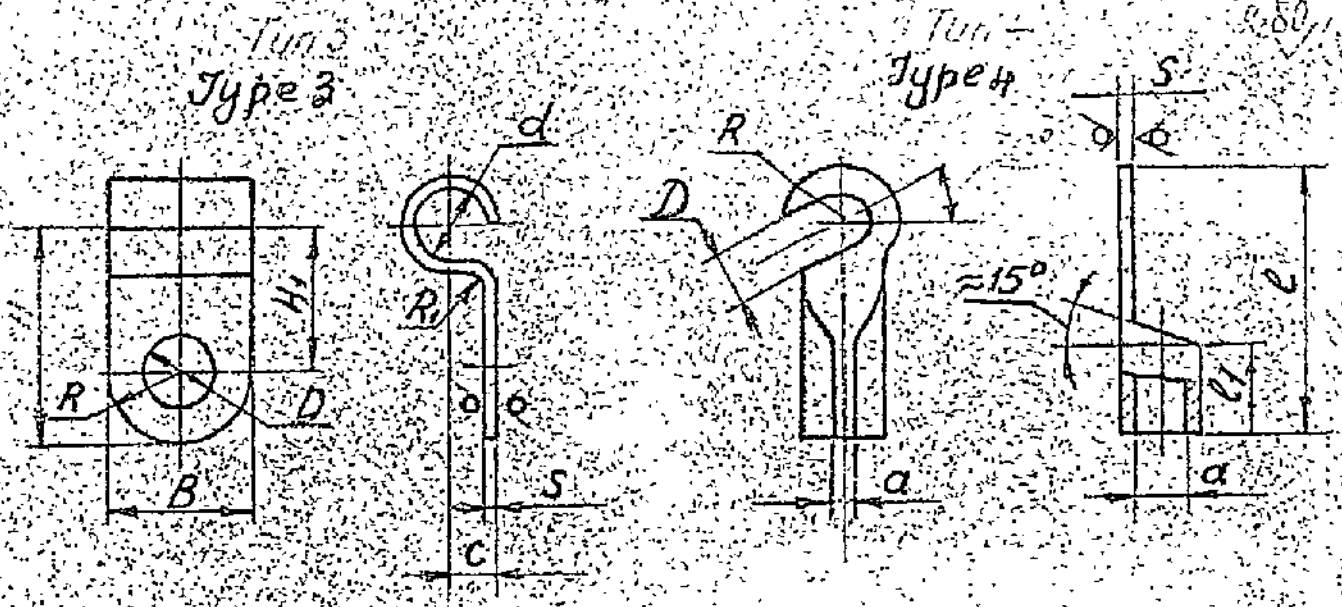
EXTRACTION FROM THE STANDARD 304-72



Description : L U G  
Conventional designation of Lug type 2 with diameter  
d and D : H2K - d x D

Conventional designation	d(ag)		D(ag)		L <sub>1</sub>	R	L <sub>2</sub>	a	R <sub>1</sub>	R <sub>2</sub>	S		Mass, Kg
	Nominal	Limit deviation	Nominal	Limit deviation							Nominal	Limit deviation	
	H2K-3x4.5	3	+0.6	4.5							+0.48	17	
H2K-3x5.5	5.5			10.5	1								
H2K-3x10.5	12.5			22	10	1							
H2K-3x12.5	4	+0.75	6.5	+0.58	24	7	12	4	4	2	1	-0.12	0.003
H2K-4x6.5			8.5								28		
H2K-4x8.5			10.5	25	9	2							
H2K-8x6.5	8	+0.9	6.5	+0.7	28	8	12	4	4	2	1	-0.18	0.01
H2K-8x10.5			10.5								25		

Lug H2K-4x8.5 is allowed to be produced without dimensions  
15°.



Conventional designation of end-piece type 3 with diameter d & D : H3K - d x D

Conventional designation of end-piece type 4 with diameter d & D : H4K - d x D

Type 3

Conventional designation	d (Ag)		D (Ag)		H	H <sub>1</sub>	B	S	R	R <sub>1</sub>	C	Weight kg
	Nominal	Limit deviation	Nominal	Limit deviation								
H3K-11 x 6.5	11	+0.75	6.5	+0.58	18 ± 1	12 ± 1	12 ± 1	12	6		3	0.002

Conventional designation	d (Ag)		E (Ag)		S	R	a	c	c <sub>1</sub>	Weight kg	
	Nominal	Limit deviation	Nominal	Limit deviation							
H4K-4 x 5.3	4	+0.75	5.3	+0.48	0.8	0.1	5	1.5	22	8	0.001

- Material: Sheet 163M GOST 931-78.  
Alternate material - sheet 168M GOST 931-78.
- Unspecified limit deviations of dimensions are = 0.5 mm.
- Unspecified radii should not exceed 1 mm.
- Coating - Top 470C-40 GOST 21930-76