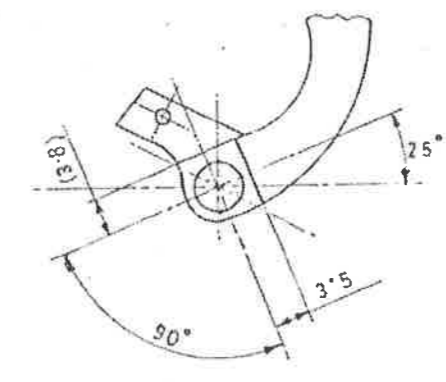
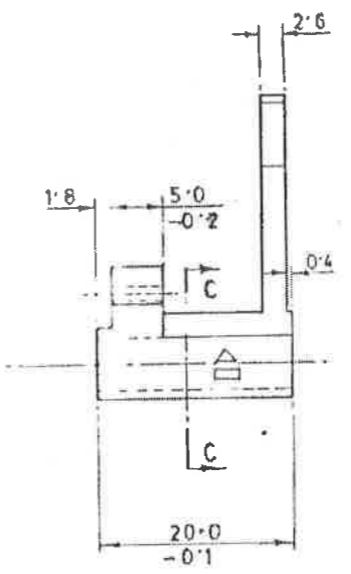
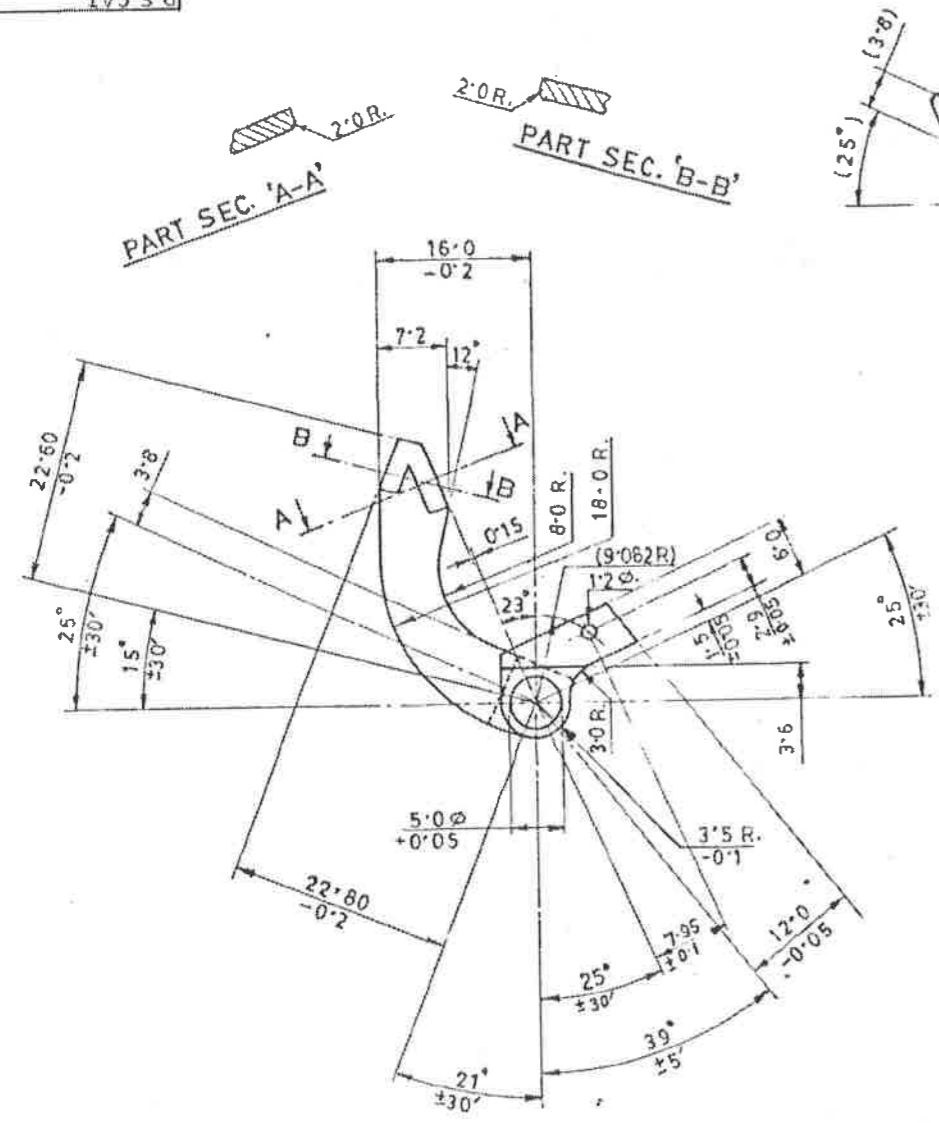


D.S.CAT. 1005-007738

DRAWING CONVENTIONS CONFORM TO JSG: 0104.
DIMNS: ARE IN mm. GEN. TOLERANCE 'MEDIUM' IS: 2102.

MARKING (SUITABLY) ON SAMPLE / TAG
 □ - Yr. OF Mfg. } LETTER SIZE - 2mm
 △ - MANUFACTURER'S CODE }
 D.S.CAT. NO.



NOTE:-
TOLERANCE FOR ANGLES ± 30'.

NSN: E1/1005-72-0000738

24.02.15	26743-SA	MANUFACTURER'S CODE & Yr. OF MFG CODE ADDED	C-5	DRN.	CHD.	TRD. <i>Sundar</i>	COMP. <i>Prabhu</i>	AHSP, CQA(SA), ICHAPUR
19.7.10	26925-SA	NSN ADDED		SCALE: 2:1		EST. MASS: -		ASSY. 1005-007880
02.2.98	24041-SA	PROFORMA CHANGED, NOTE DELETED, MARKING NOTE ADDED, VIEWS SHOWN CORRECTLY, NEG. RE-TRACED AND DRG. PROV. RE-SEALED.	(12), A14, L75x16	DT. 02-2-98	<i>Arde</i>	APPROVED DT. 24.12.94	NEG. RE-TRACED	DGNR'S REF. ARDE SK 2689/63
		PREVIOUS D.C. NOS 23801-SA, 23901-SA						PART NO.
DATE	AUTHY.	BRIEF RECORD	ZONE	I/C, D.O.	G.O.	H.T./HARDNESS: CASE HARDENED TO A DEPTH OF 0.13		CRG. NO.
		SEALED:- PROV. D.C. NO. 23801-SA, DT. 3.4.97		SIGN.		0.26. HARDENED & TEMPERED TO 500-550HV		D.S.CAT. NO. 1005-007738
NOMENCLATURE :-		SEAR SAFETY			PROTECTIVE PHOSPHATE TO SPECN. JSS-0465-01-1988			
					FINISH:- CLASS-II (ACCELERATED), OIL FINISH.			