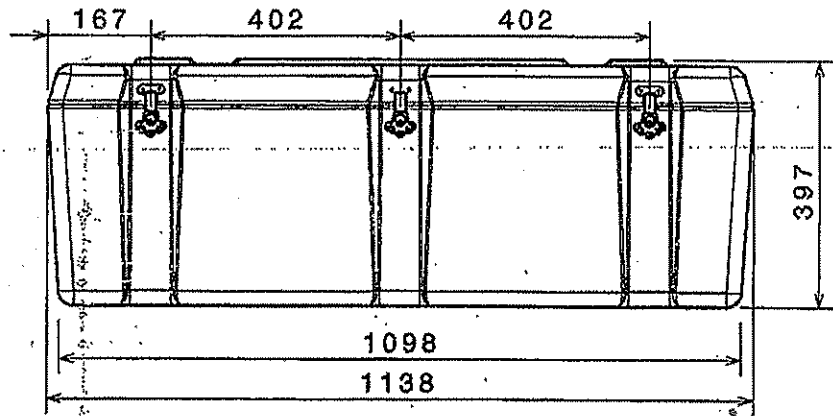
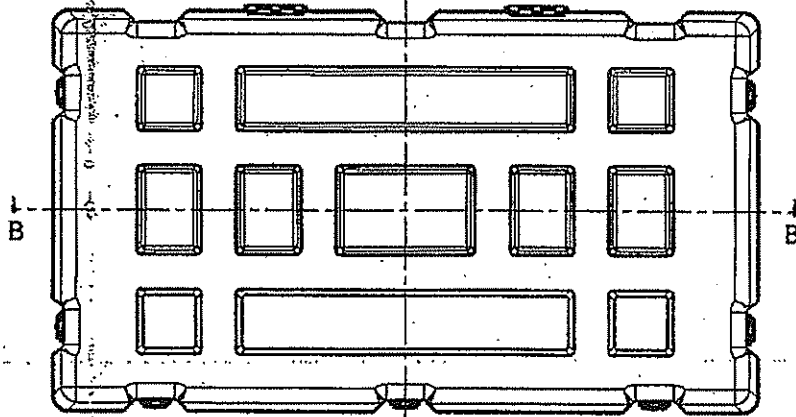


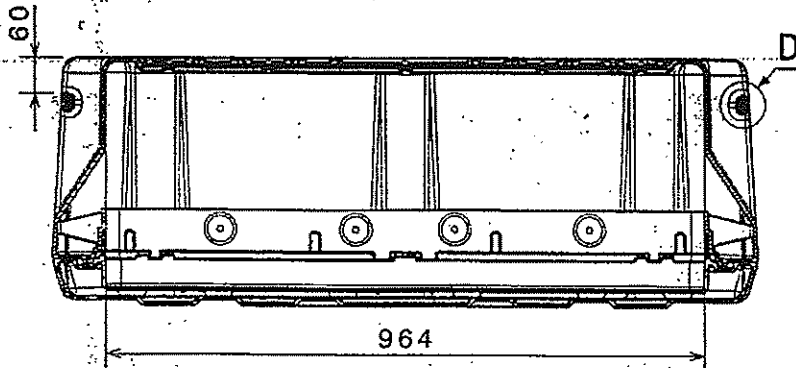
Bottom view



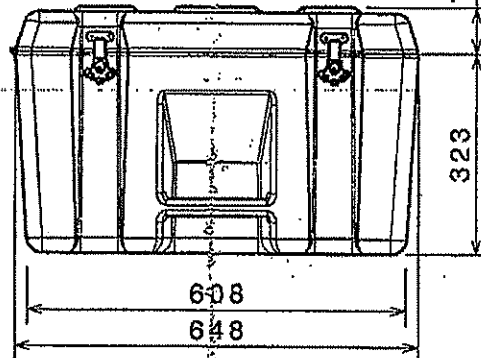
Front View



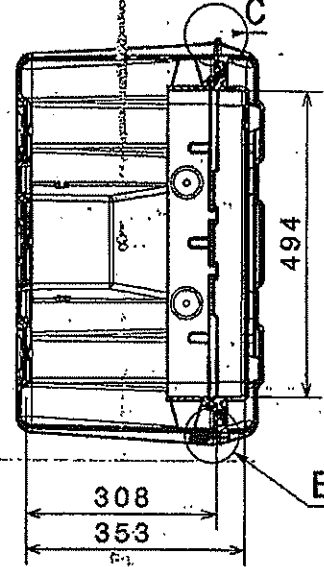
Top view



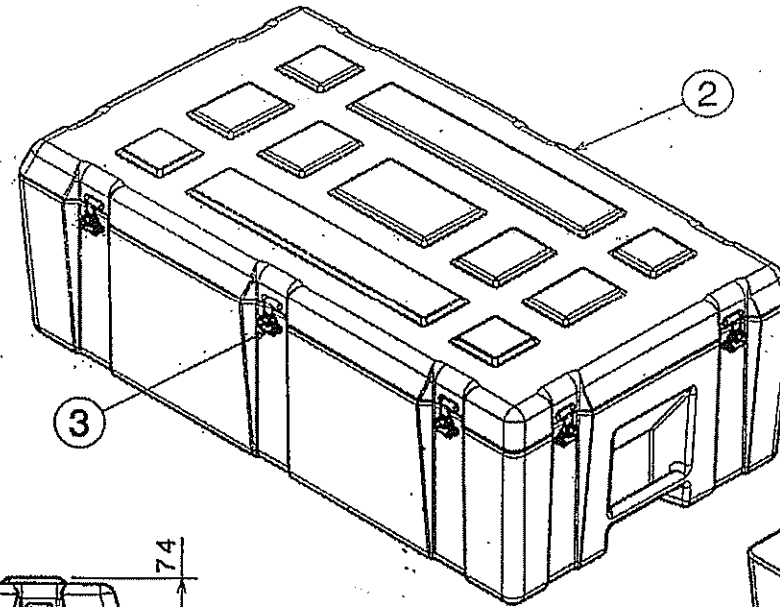
Section view B-B
Scale: 1:12



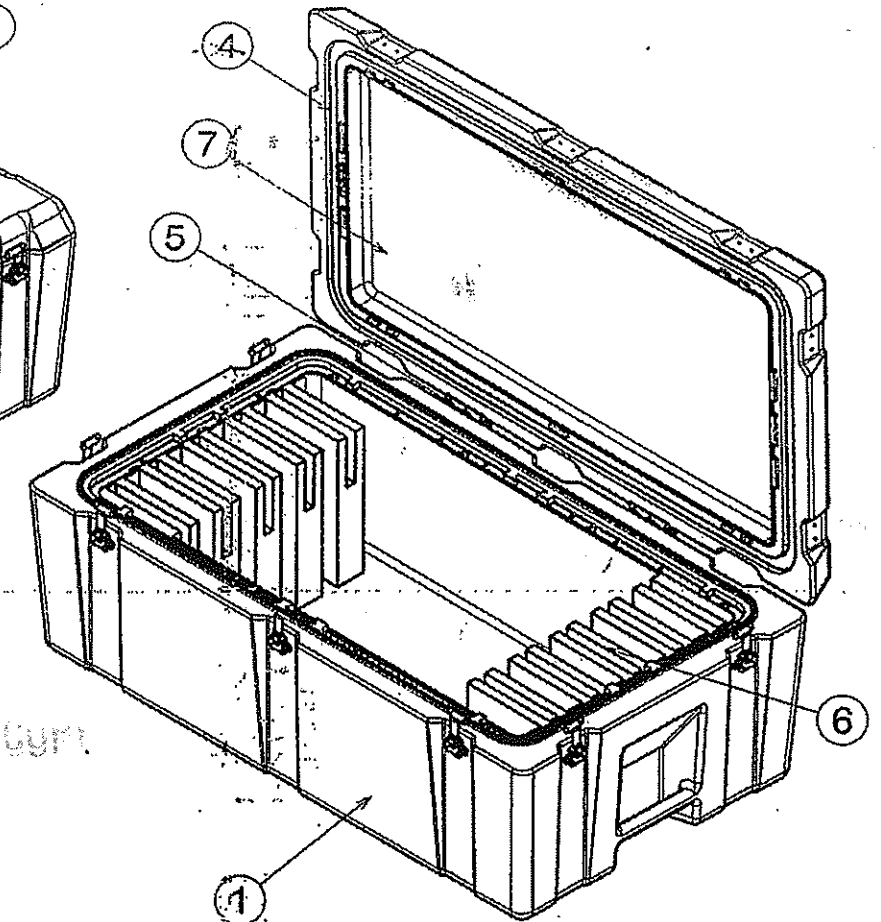
Left view



Section view A-A
Scale: 1:12



Isometric view
Scale: 1:12

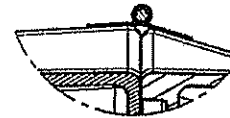


Isometric view
Scale: 1:12

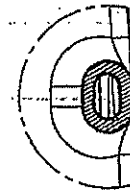
UN CONTROLLED COPY

CERTIFIED CORRECT COPY
OF APPROVED DRAWINGS
AT THIS DATE... 02/03/2018

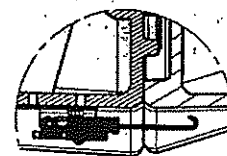
Detail C
Scale: 1:3



Detail D
Scale: 1:3



Detail E
Scale: 1:3



NOTE:-
MATERIAL: LLDPE
PROCESS: MOLDING
INTERNAL SIZE: 964x530x352mm
VOLUME: 180L
FOR MORE DETAILS PLEASE REFER DWG FILE.
FOAM WILL CHANGE AS PER RIFLE

Design & Drawing Office
Ordnance Factory,
Tiruchirappalli-620016.

SR NO.	PART NAME	QTY.
7	FOAM TOP	1
6	FOAM BOTTOM	1
5	HINGE ASSY	2
4	SEAL	1
3	LATCH ASSY	7
2	LID	1
1	BASE	1

 SIGNATURE & DATE: TRACED DRAWN: P. Puriyarasam CHECKED HOS/DDO: P. Tabin OFFICER/PRDN: OFFICER/D&DO: Ce Kumar APPROVED ON: 02/03/2018	SUB: PACKING BOX FOR 10 Nos.	SCALE NTS
	FOR: TRICHY ASSAULT RIFLE	STORE DRG.NO.
DES.REF.NO.	DRG. No.: TAR-K-9024	OPERATION NO.
AMENDMENTS	 ORDNANCE FACTORY TIRUCHIRAPPALLI-16.	SHEETS: 1 SHEET No.: 1