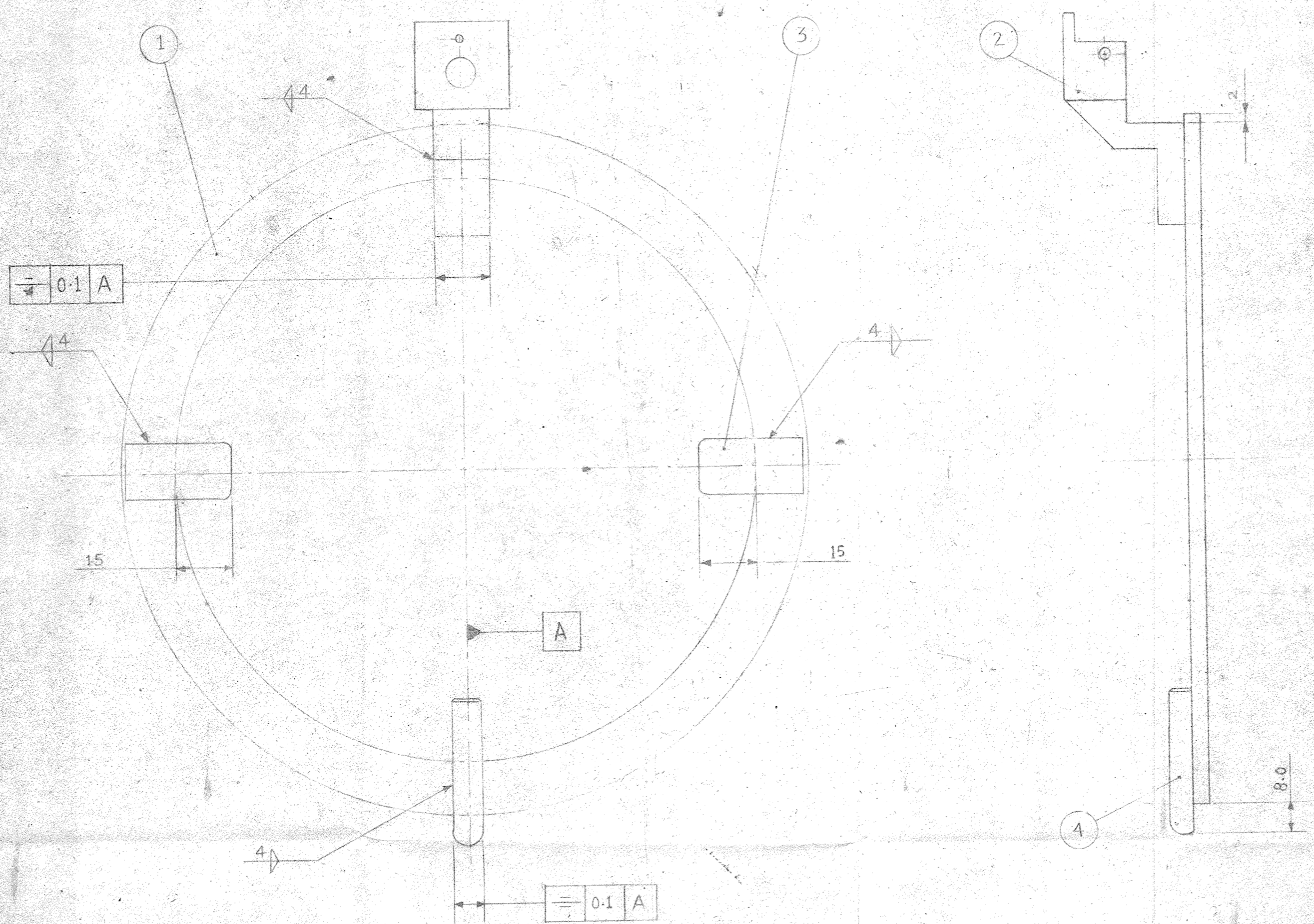


DRAWING CONVENTIONS CONFORM TO IS
 DIMNS ARE IN m.m. UNLESS OTHERWISE STATED
 GEN. TOL. MEDIUM/CLASS TO IS: 2102
 PART No. DET No. 46 SHTS. 96
 DRG. No. ARDE 9501-02

LIST OF COMPONENTS					
ITEM No.	NOMENCLATURE	No OFF.	MATL.	DRG. No.	DET No. PART No.
1	CLOSING RING	1		ARDE 9501-02	47
2	LEVER SUPPORT	1		"	48
3	STOPPER	2		"	49
4	LOCKING PIN	1		"	50



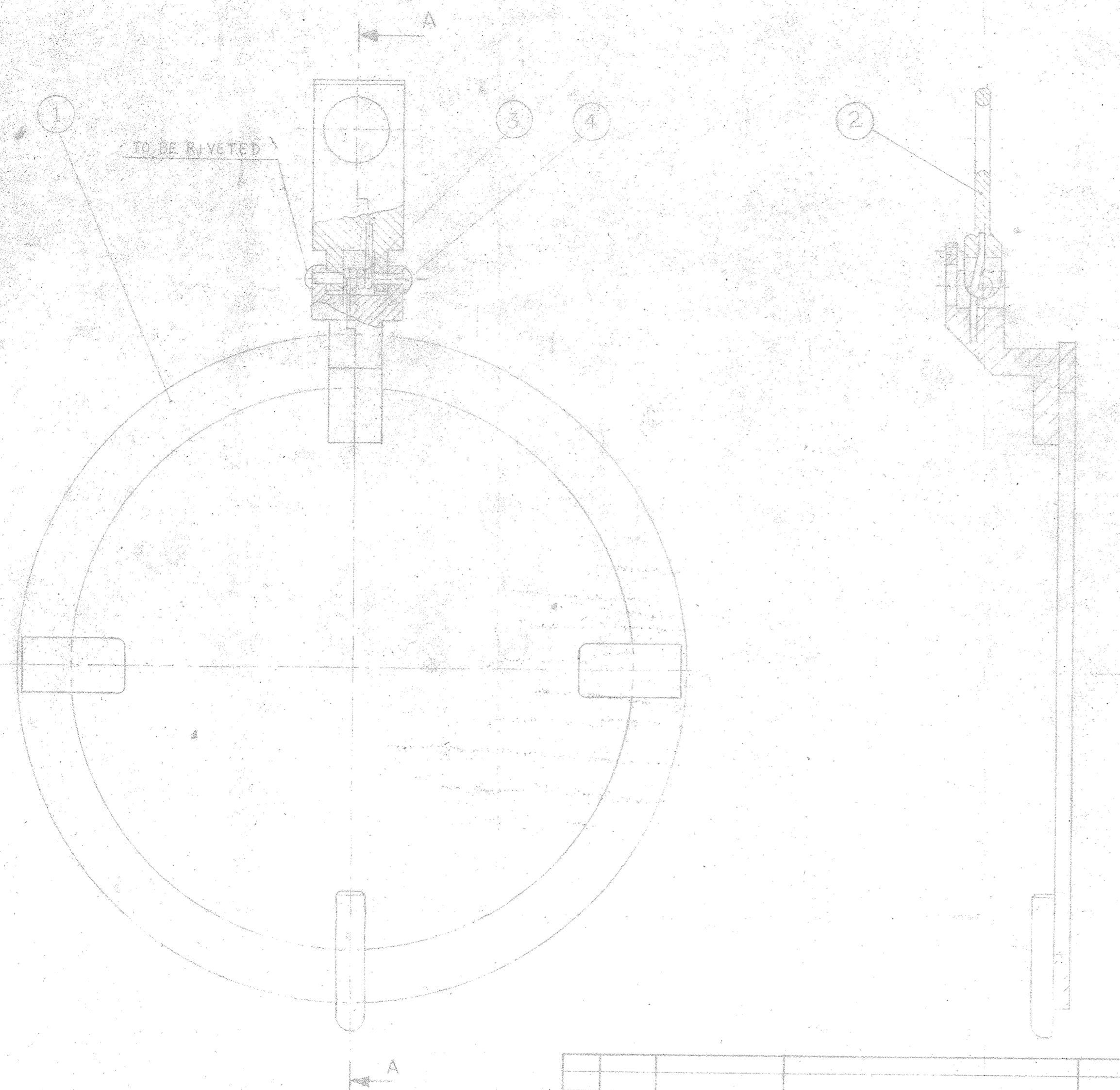
DRN. BK D	CHD. <i>Handwritten</i>	TRD.	COMP.	ASSY DRG. ARDE 9501-02/45
CD	PASSED	SCALE: 1:1	DESIGN AUTHORITY	
APPROVED <i>Handwritten</i>	FOR DIRECTOR	EST MASS:	ARDE PUNE - 411 021	
(R. PERUM) SCD		GALGE SCHD:	DATE: 29-9-92	
R. NO.	DATE:	AUTHORITY	BRIEF RECORD	ZONE
DRG SEALED (PROV.)			<i>Handwritten</i>	AIR CMDF 06 JUL 95

TITLE: CLOSING RING ASSY (WELDING)
 DRG. No. ARDE 9501-02
 DET. No. 46 SHTS. SHT. No.
 PART No.
 D. S. CAT. No.
 A.H.S.P.

DRAWING CONVENTIONS CONFORM TO IS
 DIMNS ARE IN mm. UNLESS OTHERWISE STATED
 GEN. TOL. MEDIUM/COURSE/FINE CLASS TO IS 2102
 PART No. 45 SHTS
 ARDE 9501-02
 DRG. No.

LIST OF COMPONENTS

ITEM No.	NOMENCLATURE	No. OF MATL.	DRG No.	DET No.	PART No.
1	CLOSING RING ASSY (WELDING)	1	ARDE 9501-02	46	
2	LEVER	1		51	
3	LEVER SPRING	1		52	
4	LEVER PIN	1		53	



SECTION A-A

DRN. DESHMUKH		CHD. <i>[Signature]</i>	TRD.	COMP.	ASSY. DRG. ARDE 9501-02
CD <i>[Signature]</i>		PASSED <i>[Signature]</i>	SCALE: 1:1	DESIGN AUTHORITY	
APPROVED <i>[Signature]</i>		(B. PERUMAL) SCD FOR DIRECTOR	EST. MASS:	ARDE PUNE-411 021	
R. NO.		DATE:	GAUGE SCHED:	DATE:	
AUTHORITY		BRIEF RECORD	PROTECTIVE FINISH:		
DRG SEALED (PROV.)		<i>[Signature]</i>	AIR CMDE 06 JUL 95		
TITLE		CLOSING RING ASSY			
DRG. No.		ARDE 9501-02			
DET. No. 45		SHTS.		SHY No.	
PART No.					
D.S. CAT. No.					
A.H.S.P.					

1

2

3

4

PART no.

DRAWING CONVENTIONS CONFORM TO IS
DIMNS ARE IN m.m. UNLESS OTHERWISE STATED

DET. No. 47 SHTS. SHTS. No.

GEN. TOL. MEDIUM / CLASS TO IS 2102

ARDE 9501-02

DRG. No.

NOTES:- 1) ALL SHARP EDGES & BURRS ARE TO BE REMOVED.

* 2) THE TOLERANCE ON THICKNESS SHALL BE AS PER IS: 1852

$\phi 184.0$

-0.3

$\phi 153.0$

$+0.3$
 0

A

$*3.9$
SECTION AA

R. NO.	DATE :	AUTHORITY	BRIEF RECORD	ZONE	CD	GO
					SIGN	

DRG. SEALED (PROV.) *Perumal* AIR CMDE 06 JUL 95.

DRN. B K D CHD. *[Signature]* TRD. COMP. ASSY. DRG. ARDE 9501-02/46

CD PASSED SCALE: 1:2 DESIGN AUTHORITY

APPROVED *[Signature]* EST. MASS: ARDE PUNE-411 021

(R. PERUMAL) SCD FOR DIRECTOR DATE: GAUGE SCHD :

MATL: STEEL TO IS: 226: Fe 4105

PROTECTIVE FINISH : DRG. No.

TITLE : ARDE 9501-02

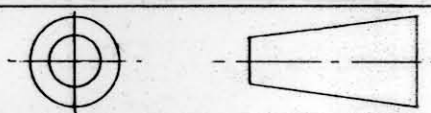
CLOSING RING

DET. No. 47 SHTS. SHT. No.

PART No.

D.S.CAT.No.

A.H.S.P.



1

2

3

4

DRAWING CONVENTIONS CONFORM TO IS [REDACTED]
DIMNS ARE IN m.m. UNLESS OTHERWISE STATED

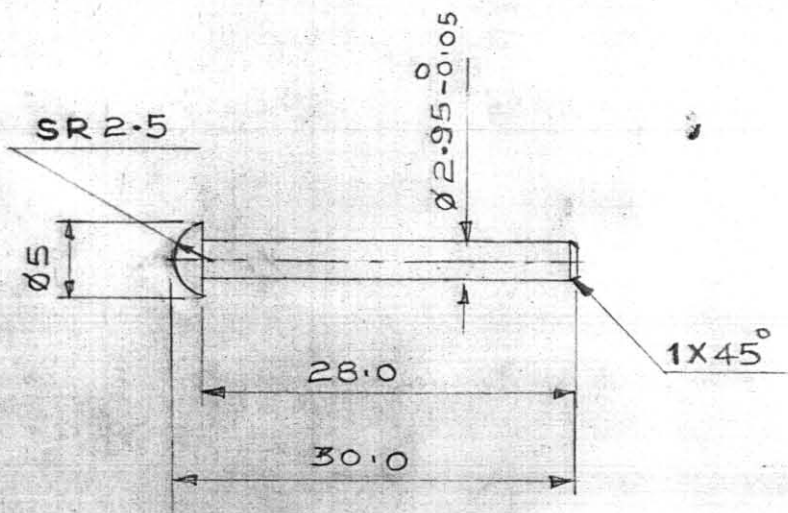
PART no. DEF. No. 53 SHTS. SHTS. No.

GEN. TOL. MEDIUM / [REDACTED] CLASS TO IS 2102

ARDE 9501-02

DRG. No.

NOTE:- ALL SHARP EDGES & BURRS
ARE TO BE REMOVED.



R. NO.	DATE :	AUTHORITY	BRIEF RECORD	ZONE	CD	GO
					SIGN	

DRG. SEALED (PROV.) *Handwritten signature* AIR CMDE 06 JUL 95.

DRN. C.R. Phatak CHD. *Handwritten signature* TRD. COMP. ASSY. DRG. ARDE 9501-02/45

CD *Handwritten signature* PASSED *Handwritten signature* SCALE : 2:1 DESIGN AUTHORITY

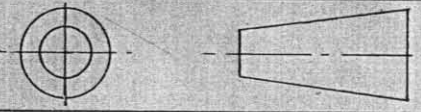
APPROVED *Handwritten signature* GAUGE SCHD : ARDE PUNE-411 021

(R. PERUMAL) scd FOR DIRECTOR DATE : 1-10-92

MATL : STAINLESS STEEL TO IS : 6527-07 Cr18Ni9

PROTECTIVE FINISH :

TITLE : LEVER PIN



DRG. No. ARDE 9501-02

DET. No. 53 SHTS. SHT. No.

PART No.

D.S. CAT. No.

A.H.S.P.

1

2

3

4

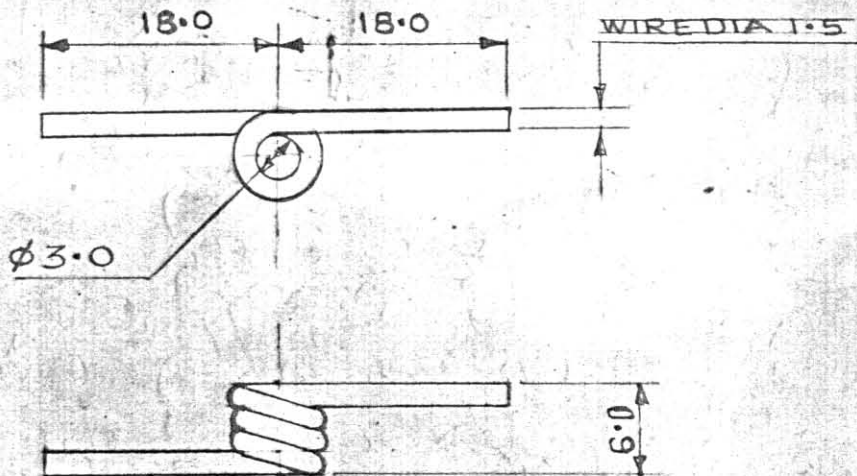
DRAWING CONVENTIONS CONFORM TO IS
DIMNS ARE IN m.m. UNLESS OTHERWISE STATED

PART No.
DET. No. 52 SHTS.
SHTS. No.
ARDE 9501-02
DRG. No.

GEN. TOL. MEDIUM / CLASS TO IS 2102

NOTES:-

- 1) ALL SHARP EDGES & BURRS ARE TO BE REMOVED.
- 2) No. OF TURNS 3.



--	--	--	--	--	--	--	--	--	--

R. NO.	DATE :	AUTHORITY	BRIEF RECORD	ZONE	CD	GO
--------	--------	-----------	--------------	------	----	----

DRG. SEALED (PROV.) *ARDE* *AR CMDE* *06 JUL 95.*

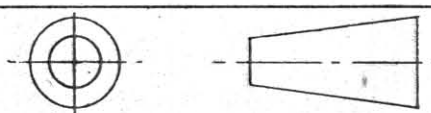
DRNCR Phatak CHD. *AR* TRD. COMP. ASSY. DRG. ARDE 9501-02/45

CD *AR* PASSED *AR* SCALE : 2 : 1 DESIGN AUTHORITY

APPROVED *AR* EST. MASS: **ARDE PUNE-411 021**

(R. PERUMAL) SED FOR DIRECTOR GAUGE SCHED : DATE :

MATL: STEEL TO IS: 4454 (PART I) GRADE 2



PROTECTIVE FINISH : CADMIUM PLATED TO IS: 1572 Cd 12 DRG. No.

TITLE : **ARDE 9501-02**

LEVER SPRING DET. No. 52 SHTS. SHT. No.

PART No.

D.S.CAT.No.

A.H.S.P.

8 7 6 5 4 3 2 1

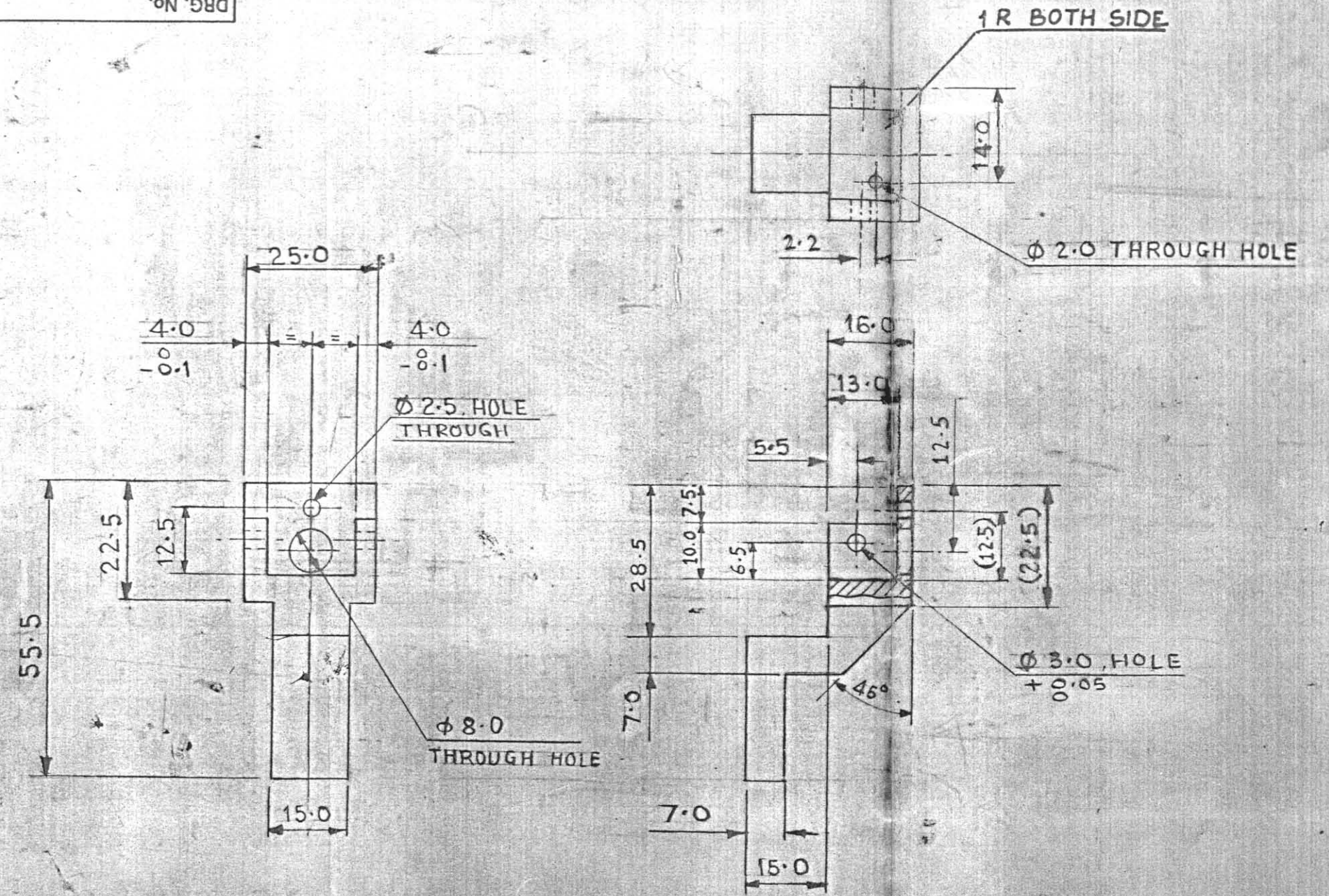
DRG. No. **ARDE 9501-02**

DET. No. **48** SHTS. No. **1**

PART No. **ARDE 9501-02**

DRAWING CONVENTIONS CONFORM TO IS
DIMNS ARE IN m.m. UNLESS OTHERWISE STATED
GEN. TOL. MEDIUM/ CLASS TO IS : 2102

NOTE: —
ALL SHARP EDGES & BURRS ARE TO BE REMOVED.



DRN. B K D	CHD.	TRD.	COMP.	ASSY DRG. ARDE 9501-02/45
CD	PASSED	SCALE: 1:1		DESIGN AUTHORITY
APPROVED		EST MASS:		ARDE PUNE - 411 021
(R. PERUMAL)	FOR DIRECTOR	GAUGE SCHD:		
		DATE: 26.5.95		
MATL: STEEL TO IS: 226 Fe 410S				
PROTECTIVE FINISH:				

TITLE: **LEVER SUPPORT**

DRG. No. **ARDE 9501-02**

DET. No. **48** SHTS. SHT. No.

PART No.

D.S.CAT.No.

A.H.S.P.

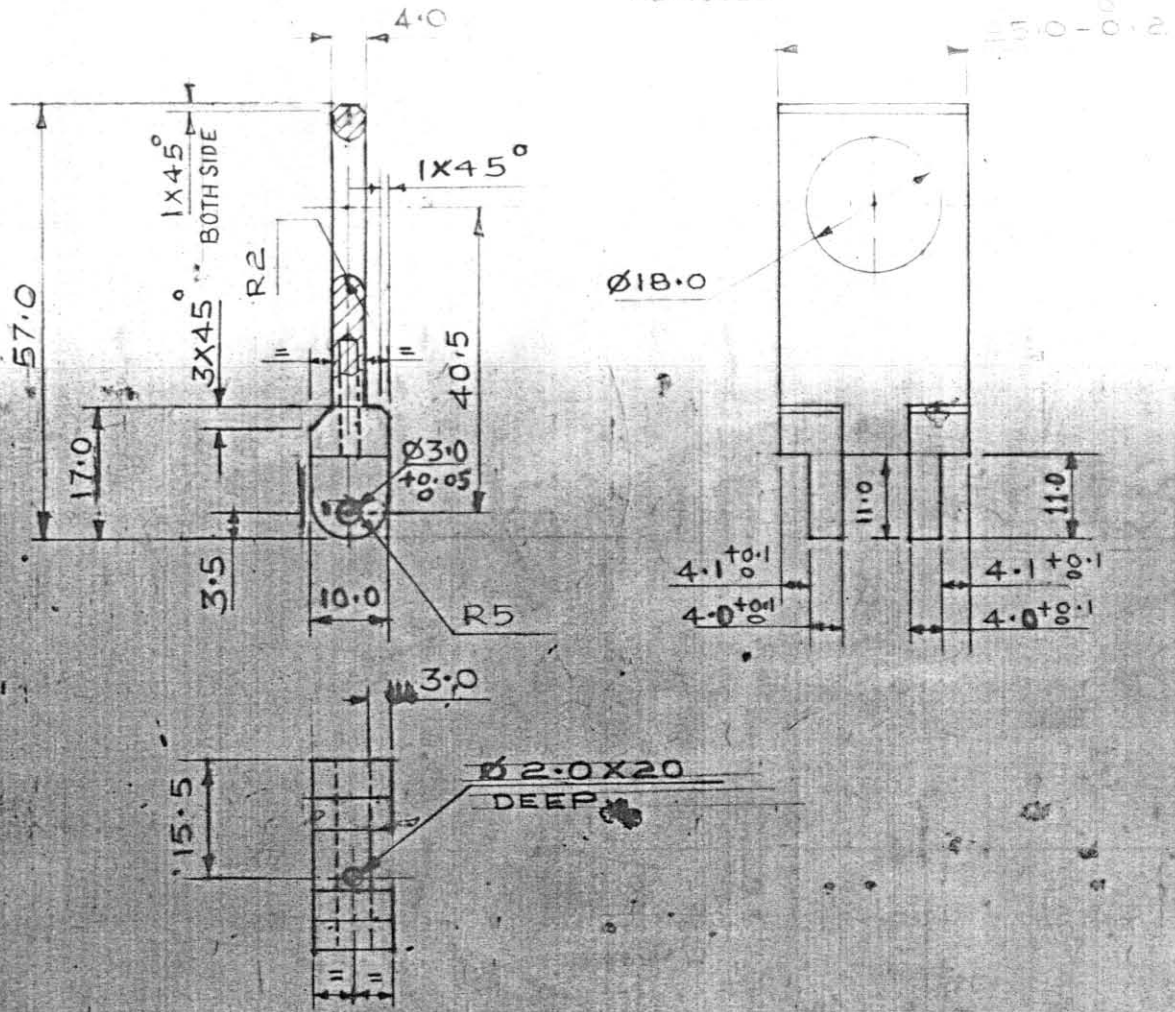
DRAWING CONVENTIONS CONFORM TO IS 6700
DIMNS ARE IN m.m. UNLESS OTHERWISE STATED

DET. No. 51 SHTS. 1 SHTS. 1
ARDE 9501-02

GEN. TOL MEDIUM ~~COARSE/FINE~~ CLASS TO IS 2102

DRG. No.

NOTES: ALL SHARP EDGES & R. JOINTS ARE TO BE REMOVED.



R. NO.	DATE:	AUTHORITY	BRIEF RECORD		ZONE	CD	GO
						SIGN	
DRG. SEALED (PROV.) <i>Prakash</i> <i>AR CMOE</i> <i>06 Jul 95.</i>							
DRN.C.R. <i>Prakash</i>	CHD. <i>Prakash</i>	TRD.	COMP.	ASSY. DRG. ARDE 9501-02/45			
CD <i>Prakash</i>	PASSED <i>Prakash</i>	SCALE: 1:1	DESIGN AUTHORITY				
APPROVED <i>Prakash</i>		EST. MASS:	ARDE PUNE-411 021				
(R. PERUMAL) FOR DIRECTOR		GAUGE SCHD:					
		DATE: 25-5-1995					
MATL: STEEL TO IS: 226 Fe 410 S							
PROTECTIVE FINISH: CADMIUM PLATED TO IS:1572 cd 12				DRG. No.			
TITLE:				ARDE 9501-02			
		LEVER		DET. No. 51		SHTS.	SHT. No.
PART No.							
D.S.CAT.No.							
A.H.S.P.							

1

2

3

4

PART No.

DRAWING CONVENTIONS CONFORM TO IS
DIMNS ARE IN m.m. UNLESS OTHERWISE STATED

DET. No. 50 SHTS. SHTS. No.

GEN. TOL. MEDIUM / CLASS TO IS 2102

ARDE 9501-02

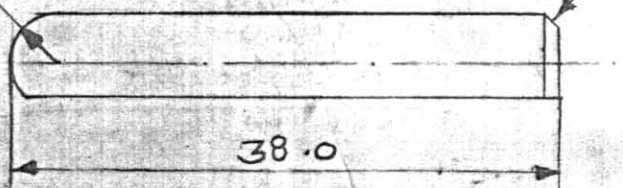
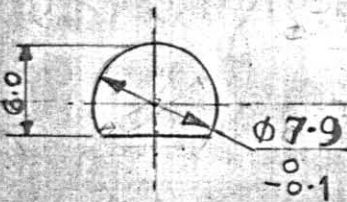
DRG. No.

NOTE

ALL SHARP EDGES & BURRS
ARE TO BE REMOVED.

SR. 4.0

1x45°



R. NO.	DATE:	AUTHORITY	BRIEF RECORD	ZONE	CD	GO
					SIGN	

DRG. SEALED (PROV.) *Prabhakar* AIR CMDR *06 JUL 95*

DRN. DYD. CHD. *SR* TRD. COMP. ASSY. DRG. ARDE 9501-02/46

CD *06-11-95* PASSED *SR* SCALE: 2:1 DESIGN AUTHORITY

APPROVED *SR* FOR DIRECTOR GAUGE SCHD: ARDE PUNE-411 021

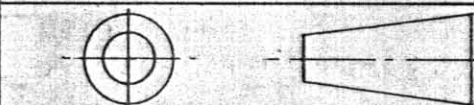
(R. PERUMAL) SCD DATE: 29-9-92

MATL: STEEL TO IS: 226: Fe 410S

PROTECTIVE FINISH:

TITLE:

LOCKING PIN



DRG. No. ARDE 9501-02

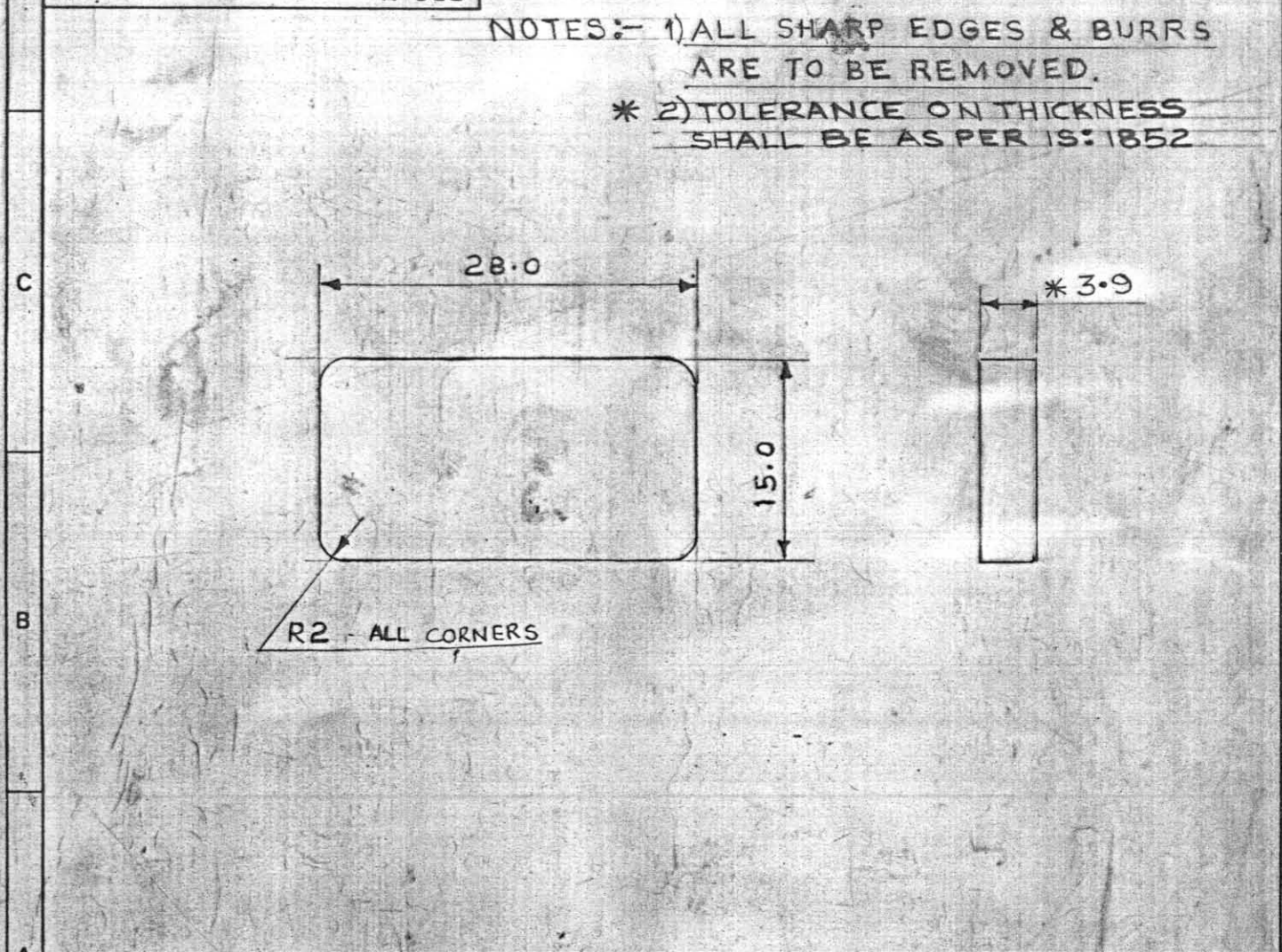
DET. No. 50 SHTS. SHT. No.

PART No.

D.S.CAT.No.

A.H.S.P.

1	2	3	4
PART no.		DRAWING CONVENTIONS CONFORM TO IS ████████	
DET. No. 49		DIMNS ARE IN m.m. UNLESS OTHERWISE STATED	
SHTS. No.		GEN. TOL. MEDIUM / ████████ CLASS TO IS 2102	
DRG. No.			



R. NO.	DATE :	AUTHORITY	BRIEF RECORD				ZONE	CD	GO
								SIGN	
DRG. SEALED (PROV.) <i>R. Perumal</i>			TRD. <i>AR CMDE</i>			DATE <i>06 JUL 95.</i>			
DRN. G NG	CHD. <i>SCD</i>	TRD.	COMP.	ASSY. DRG. ARDE 9501-02/46					
CD	PASSED	SCALE: 2:1		DESIGN AUTHORITY					
<i>06.07.95</i>		EST. MASS:		<div style="display: flex; justify-content: space-around;"> </div>					
APPROVED		GAUGE SCHED :							
(R. PERUMAL) <i>SCD</i>		DATE: 29-9-92		<div style="display: flex; justify-content: space-between;"> <div style="width: 45%;"> <p>PROTECTIVE FINISH :</p> <p>TITLE :</p> <p style="text-align: center; font-size: 2em; font-weight: bold;">STOPPER</p> </div> <div style="width: 50%;"> <p>DRG. No.</p> <p style="font-size: 1.5em; font-weight: bold;">ARDE 9501-02</p> <p>DET. No. 49 SHTS. SHT. No.</p> <p>PART No.</p> <p>D.S.CAT.No.</p> <p>A.H.S.P.</p> </div> </div>					
MATERIAL: STEEL To IS: 226 Fe 410 S									