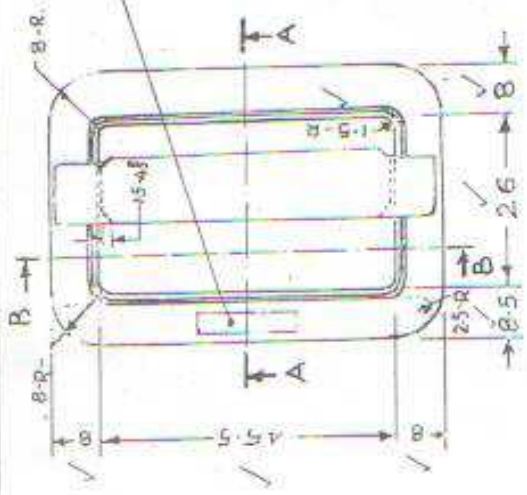
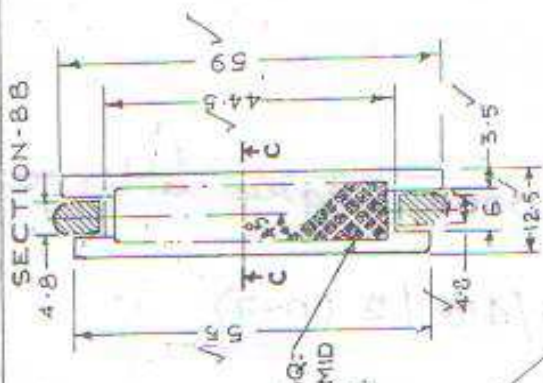


5340-006721
MISTRY & Co
1998



SECTION-AA



SECTION-BB

COARSE SQ.
BASE PYRAMID
KNURLING.

SECTION-CC



FOR CONTROLLER
FOR CONTROLLER (MISTRY & Co)
Controlerate of Quality Assurance (GS)
Post Box No.-127, Kanpur
Post Box No.-127, Kanpur-208 004

DATE		NAME	
DGN.	DRN.	CHD.	RETRP.
COMB.	SCALE: 1:1	APPROVED	
<p>D. S. CAT. No. 5340-006721 BUCKLE WAIST ADJUSTABLE ADAPTOR (SLIDING BAR TYPE) PTR-M.</p>			
"C Q A (GS) KANPUR			
<p>DIMENSIONS IN MILLIMETRES. PLATE ATTACHED TO SPECN. No. IND/GS/1802.</p>			