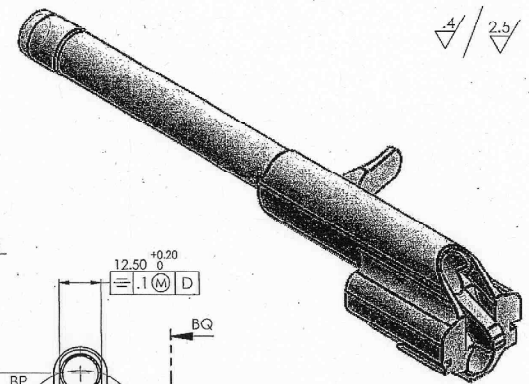


UN CONTROLLED COPY
 CERTIFIED CORRECT COPY OF APPROVED
 DRAWINGS AT THIS DATE 01/12/22
 DESIGN & DRAWING OFFICE
 ORDNANCE FACTORY, TIRUCHIAPPALI-620 016.



Material :- (Forging)
 BS:970 Pt.1 1983 Gr 817 M40 (En24)
 BS:970 Pt.1 1983 Gr 826 M31 (En25)
 BS:970 Pt.1 1983 Gr 826 M40 (En26)

MARKING :-
 * MANUFACTURER CODE
 + BATCH/YEAR OF MANUFACTURE
 © ENGRAVING DEPTH 0.1mm & HEIGHT 2.5mm.

Hardness: 220-280 HV^(B)
 Bolt Sharp Edges to 0.4 R

Un tolerated dimensions IS:2102 Medium

①	DA.No.49/20 Dt.: 24/08/20	DWG Details 3rd Angle SIGN DATE	SUS: Bolt Carrier Blank S3
②	DA.No.37/20 Dt.: 26/06/20		
③	DA.No.46/19 Dt.: 21/11/19	FOR: TAR PROJ.: TRICHY ASSAULT RIFLE Design Ref Tend 2383 EXP	Do not scale Drawing All Dimensions are in mm
④	DA.No.46/18 Sl.No.1 21.09.18		
⑤	DA.No.23/18 Sl.No.7 13.07.18	DWG No.: TEND-2383*8	A2 QPC - 1
⑥	DA.No.71/20 Dt.: 11/11/20	Approved on: 02/03/2018	WT. (Approx) gm SHEET: 1 OF 1

①	DA.No.31/22 Dt.: 20/05/22	
②	DA.No.47/21 Dt.: 08/09/21	
③	DA.No.71/20 Dt.: 11/11/20	