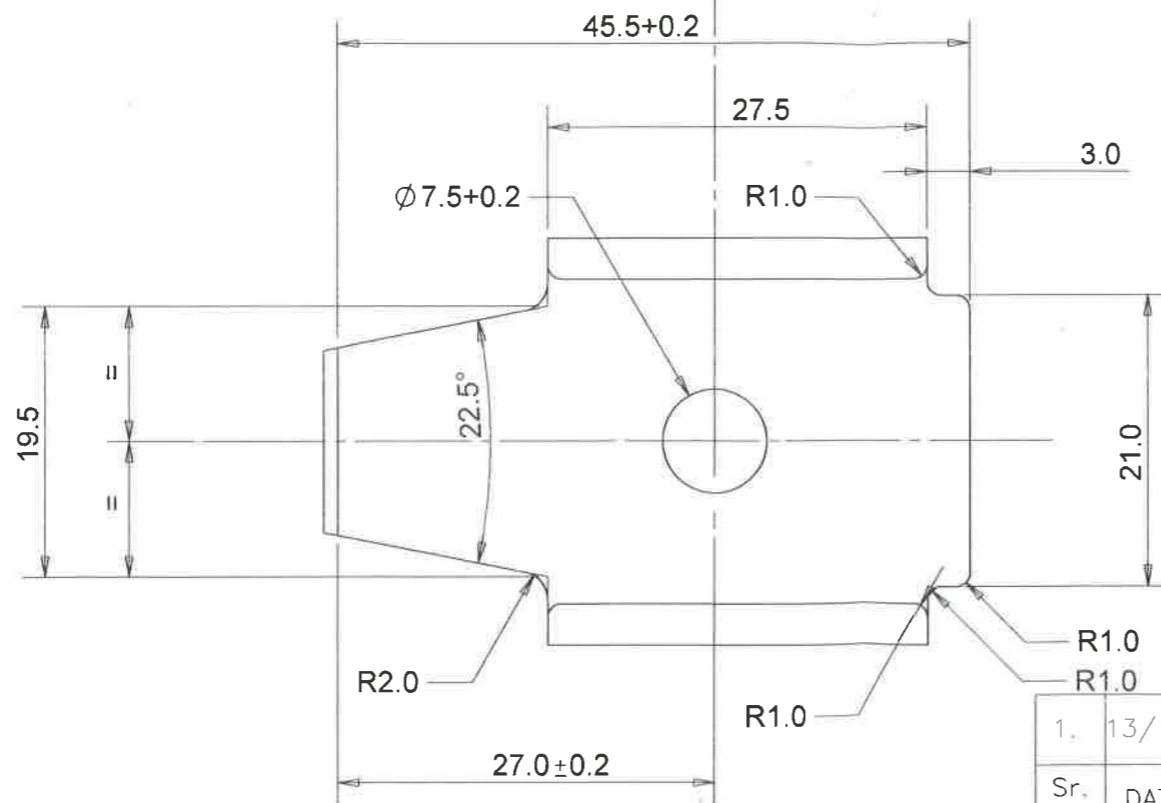
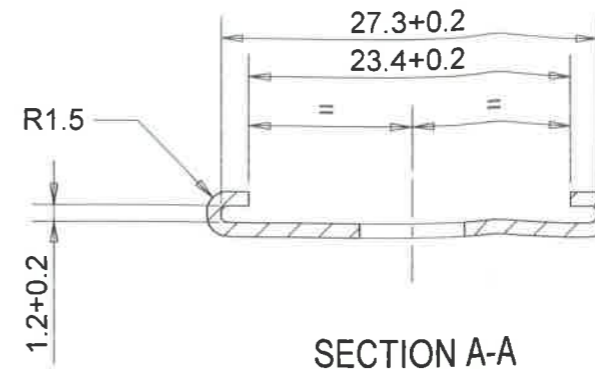
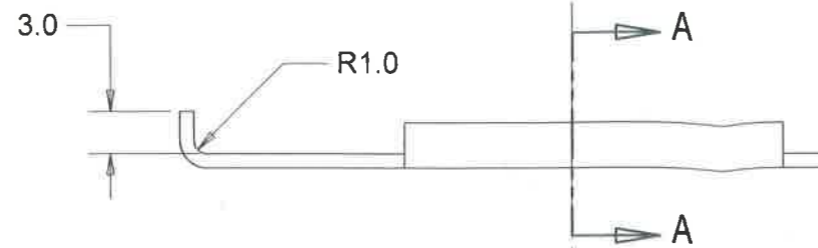
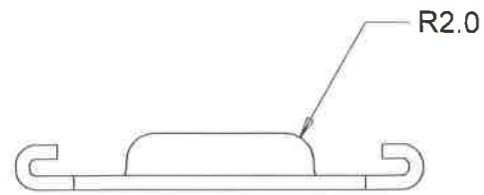


DRG.No. 0204 03 02 00 09 004 00DB
 IC SS S AA A C SST

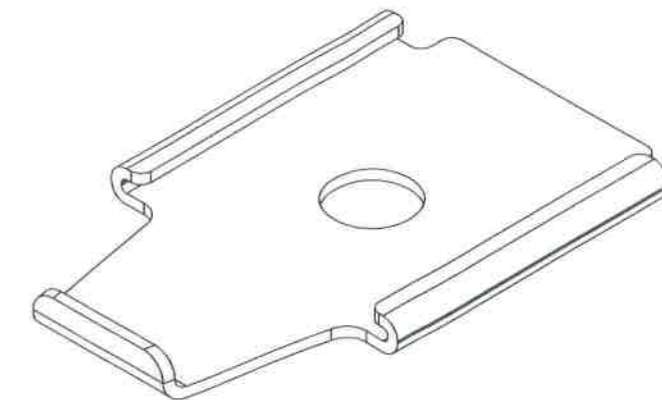
GEN. TOL. FINE/MEDIUM/COARSE
 CLASS TO IS: 2102

DRG. CONVENTIONS CONFIRM TO INDIAN STD.
 DIMN. IN mm UNLESS OTHERWISE STATED

CONTROL COPY No. 2



SECTION A-A



Received on 20/10/2016

1.	13/10/16	M-36	DRG. REVISED (TOLERANCES ALTERED)	---	MSD/2016/2016
Sr. No.	DATE	AUTHORITY	BRIEF RECORD	ZONE	CD GO SIGN
DRN. PRANAV	CHD.	MSD/2016/2016	MATERIAL :-	STEEL TO IS:7226-1974 Gd C-40	
APPD.	DATE 13/10/2016	Director	PROTECTIVE FINISH :-	SEE NOTE	
SEALED DATE			TITLE :-	PLATE BOTTOM	
SCALE:- 2:1	EST. MASS				
DESIGN AUTHORITY ARDE PUNE 411021					
DRG.No.	0204	03	02	00	09 004 00DB
PART No.		DS CAT. No.		AHSP	

- NOTES:
 1) REMOVE ALL SHARP EDGES AND BURRS.
 2) TOLERANCE FOR ANGLES $\pm 30'$ UNLESS OTHERWISE STATED.
 3) SHEET THICKNESS:- 1mm
 4) TO BE COATED WITH NIPODERM 600 AS PER ARDE SPECN. NO. ARDE/SA/2016/COATING-02 COATING THICKNESS:-0.018±0.003