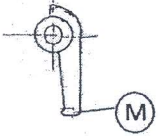
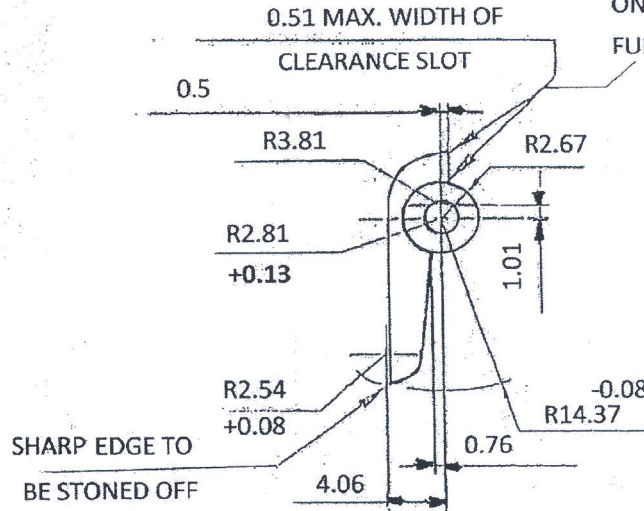


DRG. No. SK - 02056

NOM. SIZE & FIT	DEVIATION



ACTUAL SIZE



THIS FACE TO BE ADJUSTED ON ASSEMBLY TO GIVE CORRECT FUNCTIONING POSITION

MATERIAL FROM MIM ROUTE:-

MIM4630 (MODIFIED)  
 C :- 0.2-0.5% Ni :- 6-8%  
 Mo :- 0.5% MAX.  
 OTHERS 1% MAX.  
 Fe :- BALANCE  
 DENSITY :- 7.5 g/cm<sup>3</sup> MIN.

**HARDNESS:-**  
 COMPONENT MUST CONFORM TO THE FOLLOWING HARDNESS NUMERALS AT THE POSITION INDICATED

LETTER	V.H.N.
M	400-500

केवल निविदा हेतु  
 सन्दर्भ मांग पत्र सं० 210110108  
 दिनांक 30/11/2021

SURFACES MARKED ////////////// TO BE FINISHED SMOOTH (▽▽▽▽)

THIRD ANGLE PROJECTION (▽▽ (▽▽▽▽))

PROTECTIVE FINISH:- PHOSPHATED TO SPECN/ISS-0465-01-1988 CLASS II (ACCELERATED) OIL FINISH.

A TOLERANCE OF -0.05 IS ALLOWED ON ALL PROFILES.  
 ALL DIMENSIONS ARE IN mm.

**REV.01**

17/11/21	NOMENCLATURE AMENDED		17.11.21	✓	✓	✓
DATE	DESCRIPTION	JWM/SEC.	DO/SEC.	JWM/DDC	DO/DDO	
ITEM	DESCRIPTION	NO.OFF.	MATERIAL	TREATMENT	STD.	REMARKS
SCALE : NTS		COMPONENT	STORE DRG. NO.	FIELD GUN FACTORY KANPUR		
UNSPECIFIED TOLERANCES IS : 2102 (MEDIUM)		0.92" REVOLVER		APPROVED		
2021	DATE	NAME	CATCH HAMMER			
DRN.		✓				
CHD.						
TCD.						
COMP.						
JWM/DDC		W. Kumar				
JWM/SEC.	24.0		DO/SHOP	AD/ODC	DRG. NO. SK - 02056	
			SHTS 1	SHT. NO. 1		