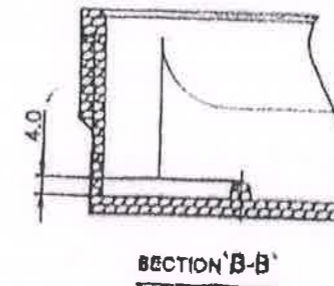
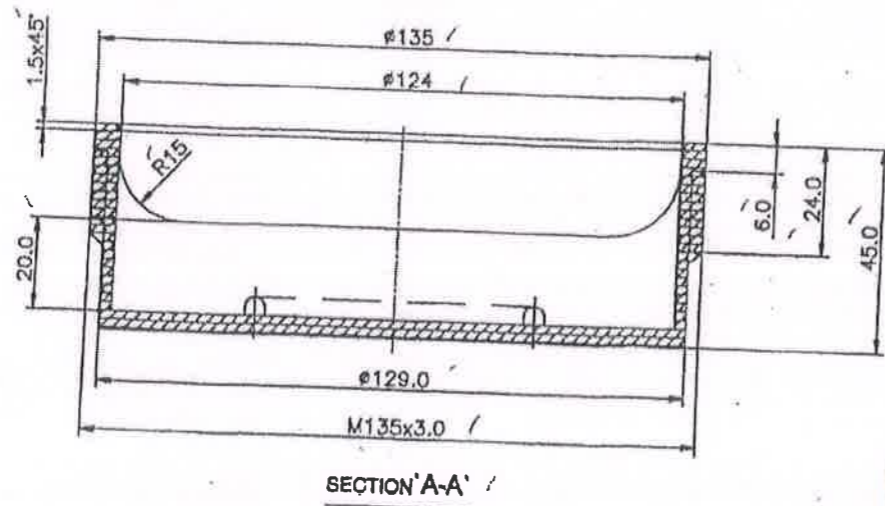
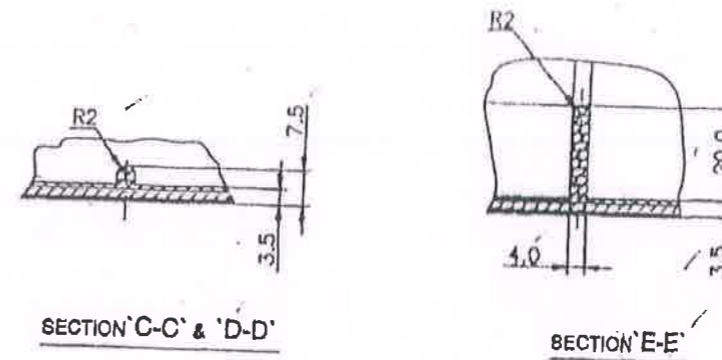


REFERENCE



MATL :- MOULDED PLASTIC (PHENOLIC) OR MOULDED MATERIAL GDE SP 16

ISSUED BY
STANDARD CELL
for EOI
DATE: 9/19/12 SIGNATURE: *[Signature]*

NOTES:

- EXTERNAL DIMENSIONS REQUIRED FOR FITMENT TO BE MAINTAINED AS PER DRG.
- COMPLEX INTERNAL FEATURES REQUIRED BUT DIMENSIONS NOT CRITICAL.
- MATL. POLYPROPELENE OR MATL AS SPECIFIED

SCALE:-		DIMENSIONS ARE IN mm TOL:		D & CAT No.		ASSY DRG NO. NASK 1061(P)	
DGN	DRN	TOD	COMP	CHD	ASSY DRG LIST NO.		
PASSED <i>[Signature]</i>		APPROVED <i>[Signature]</i>		THREADS CONFORM TO IS:4218			
02-06-09		APPROVED		GEN SPEC : IS:2102			
R.No	DATE	ZONE	BRIEF RECORD	AUTHORITY	INITIALS	STORE SPEC No.	
						STORE REF No.	
				MATL:- SEE DRG		DTE GEN OF NAVAL ARMAMENT INSPECTION	
				MATL SPEC:- GCQ		IHQ, MOD (NAVY) NEW DELHI	
				PROTECTIVE FINISH			
						DRG No.	
						NASK 1063	
						(PROVISIONAL)	

PLUG