
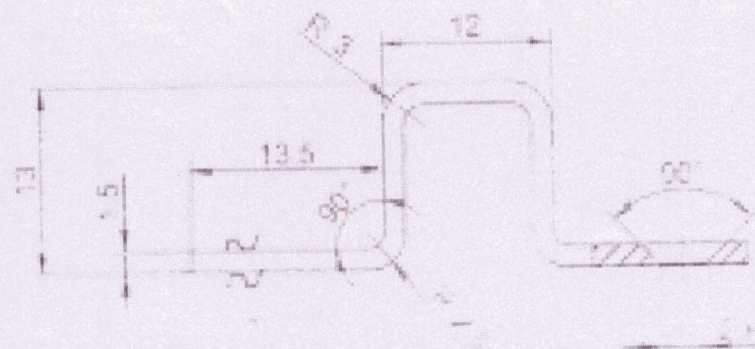
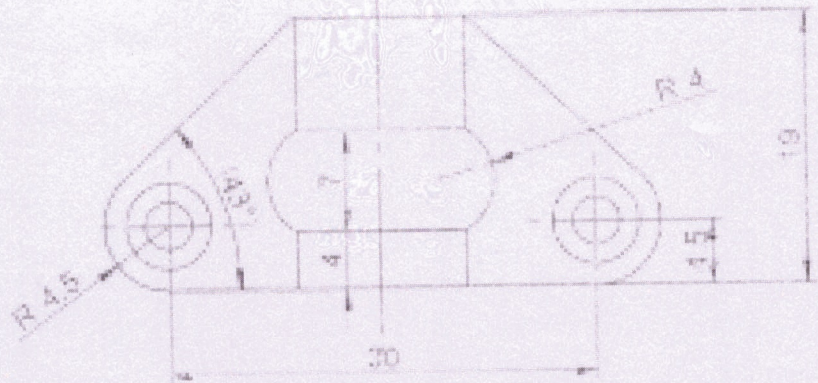
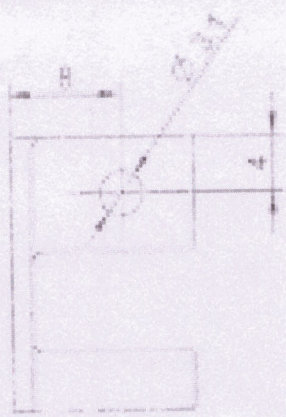


MATERIAL - ST. SHEET GR. D OF IS 513
 MATERIAL - ALT. MATL. ST. SHEET GR. D OF IS 513

TREATMENT -
 HARDNESS -

SURFACE FINISH 

PROTECTIVE FINISH - RED OXIDE



FOR TRADE ONLY
 Date of Issue *26/07/20*
Reju
 09 JUL 2020
 व्यापार हेतु
 For Trade only

NOTE
 * UNSPECIFIED TOLERANCES ON EXTERNAL SIZE IN BRACKET
 SIZE & OTHERS ARE AS SHOWN ON DRAWING RESPECTIVE

1. REMOVE SHARP EDGES


ITEM	DESCRIPTION	NO. OFF.	MATERIAL	REMARKS
------	-------------	----------	----------	---------

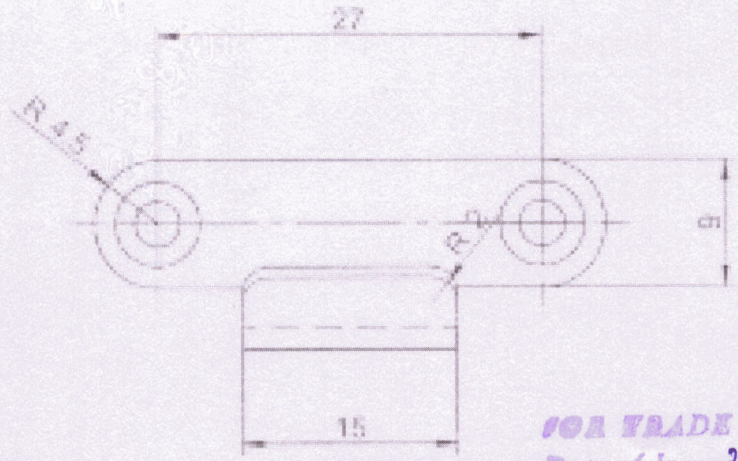
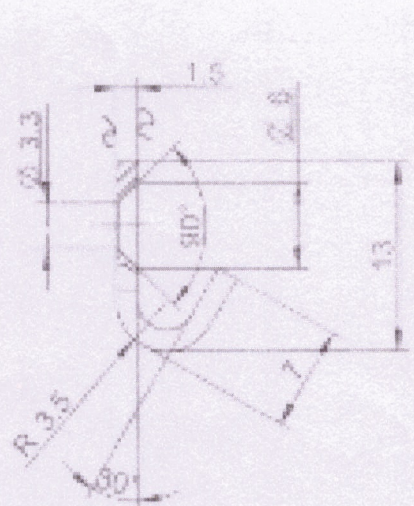
COMP. NO. *AS STATED* OPTO ELECTRONICS FACTORY
 RACKING BOX NO. **DEHRADUN**

ZONE *AS STATED* **LATCH**
 DRAWN *V. Mahapatra* 1, -
 CHECKED *[Signature]* 4, -
 JWM *[Signature]*

NAME DATE DFG No- **OLF/ISTG/243**

DATE	DATE SIGN	DESCRIPTION	DIV OFF	SCALE	DATE
		AMENDMENTS			

MATERIAL - STEEL SHEET GR D OF IS 513 ALUMI. MATL. STL SHEET GR D OF IS 513	TREATMENT HARDNESS
SURFACE FINISH - 	PROTECTIVE FINISH - RED OXIDE



FOR TRADE ONLY
Date of Issue *20/07/21*
Rajiv

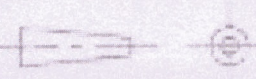
09 JUL 2020


व्यापार हेतु
For Trade only

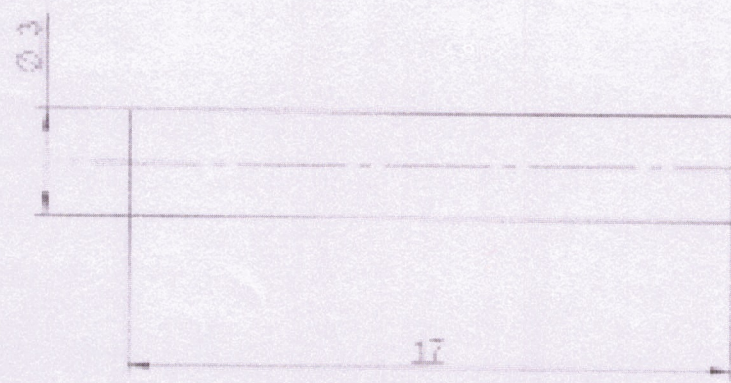
NOTE
UNSPECIFIED TOLERANCES ON EXTERNAL SIZE INTERNAL SIZE & OTHERS ARE H12/H12 & IT/12 RESPECTIVELY.

ITEM	DESCRIPTION	NO. OFF	MATERIAL	REMARKS
------	-------------	---------	----------	---------

LIST OF PARTS

COMPT NO		ASSY ORG		OPTO ELECTRONICS FACTORY	
		PACKING		DEHRADUN	
		BOX TYP		TITLE	
2016	AS STATED			HOOK	
DRAWN	<i>Amish</i>	1	4	ITEM NO. 00	
CHK	<i>R/S</i>	1	4	REF	M
JWM	<i>R/S</i>	DRG. No - OLF/STD/243			
GA No	DATE/SIGN	DESCRIPTION	DIV OFF	MYEAR	SCALE - 2:1
				4/118	SHTS 01 SH No 00
AMENDMENTS			APPROVED		

MATERIAL - STEEL 20 IS 280 (SOFT DRAWN)	TREATMENT - HARDNESS
SURFACE FINISH - 	PROTECTIVE FINISH - RED OXIDE



FOR TRADE ONLY
 Date of Issue 20/01/21
Papir

09 JUL 2020

व्यापार हेतु
 For Trade only

NOTE
 UNSTATED TOLERANCES ON EXTERNAL SIZE INTERNAL SIZE & OTHERS ARE ± 0.15 & ± 0.12 RESPECTIVELY

ITEM	DESCRIPTION	NO OFF	MATERIAL	REMARKS
------	-------------	--------	----------	---------

LIST OF PARTS

COMPT NO	AS STATED	OPTO ELECTRONICS FACTORY DEHRADUN		
2018	AS STATED	TITLE - PIN		
DRAWN	<i>Jawal</i>	ITEM NO - 04		
CHKD	<i>A</i>	REF	M	
JWM	<i>Pul</i>	DRG. No - OLF/STD/243		
DA No	DATE/SIGN	DESCRIPTION	NAME	DATE

DA No	DATE/SIGN	DESCRIPTION
AMENDMENTS		

DIV OFF	NAME	DATE
	<i>Y</i>	<i>18</i>
APPROVED		

SCALE - 5:1

SHTS 07 SH No 07