

625100-5185

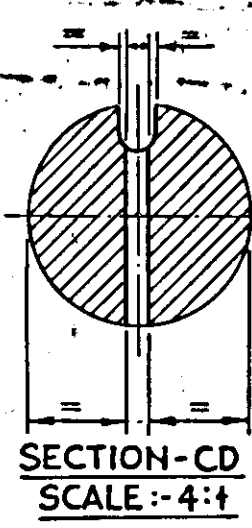
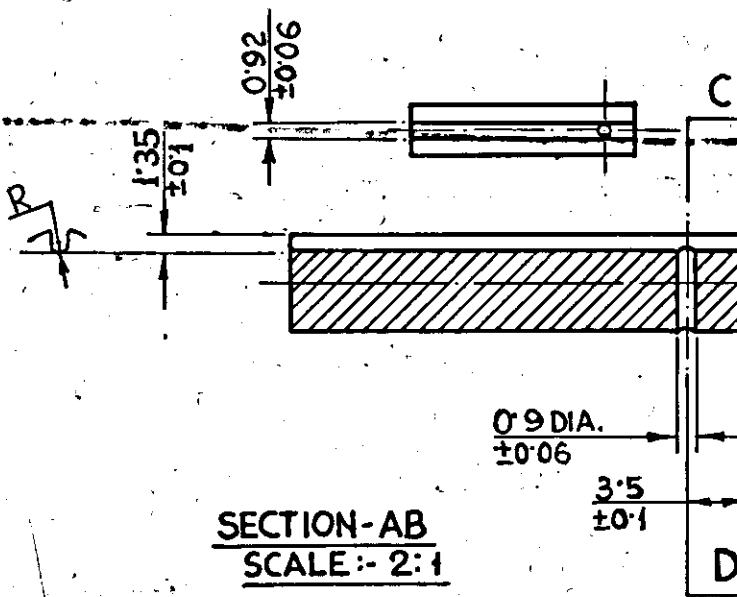
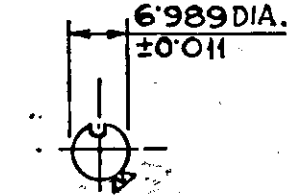
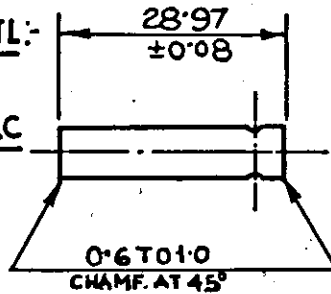
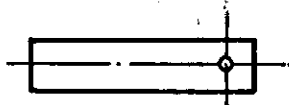
ON
DS. CAT.

DIMNS. ARE IN mm.

SURFACE FINISH :-
AS PER IS: 3073

HEAT TREATMENT FOR MATL:-
CASE HARDENED TO THE DEPTH
OF 0.25mm & STABILISED TO THE
HARDNESS OF 41-45 HRC.

HEAT TREATMENT FOR ALT. MATL:-
HARDENED & TEMPERED TO
THE HARDNESS OF 41-45 HRC



SECTION-AB
SCALE:- 2:1

SECTION-CD
SCALE:- 4:1

16.05.2002	25365-SA	RECORD OF RECEIPT CANCELLED AND DRG SEALED AFRESH.			
25.9.96	23502-SA	MATL., ALT. MATL. & SURFACE FINISH AMENDED.			
20-4-95	22950-SA	DIMN. 0.6 TO 1.0 CHAMF. AT 45° WAS K(0.6-1) SYMBOL = WAS //, NEG. RE-TRACED AND DRG. RESEALED AS A RECORD OF RECEIPT.			
		PREVIOUS DC (I) NO. 6, 15535-SA, 15539-SA, 17592-SA, 21690-SA.			COPY

DATE AUTHY.	BRIEF RECORD	ZONE	I/C; D.O.	G.O.
-------------	--------------	------	-----------	------

SEALED. D.C. NO. 25365-SA	DT. 16.05.2002.	SION.
DRN	CHD	TRD. <i>M.B.</i>
SCALE: 1:1, 2:1, 4:1	EST. MASS.	COMP. <i>M.B.</i>

MFG/INSP. INSTRUCTIONS	APPROVED NEG. RE-TRACED.	
<i>S. Chatterji</i>		
DT. 20-4-95	I/C; D.O.	

MATERIAL.	SPECN. BS 970 PT. 3, 1991 Gr. 835 M15 ALT. MATL. - SPECN. BS 970 PT. 1, 1983 Gr. 835 M 30.	AHSP	CQA(SA), ICHAPUR
-----------	--	------	------------------

H.T./ HARDNESS.	AS STATED.	DG NR'S REF.	
-----------------	------------	--------------	--

PROTECTIVE FINISH.		PART NO.	1033A
--------------------	--	----------	-------

NOMENCLATURE.	<u>PIN, LINK.</u>	DRG. NO.	A 1240
		DS. CAT. NO.	5315-001529