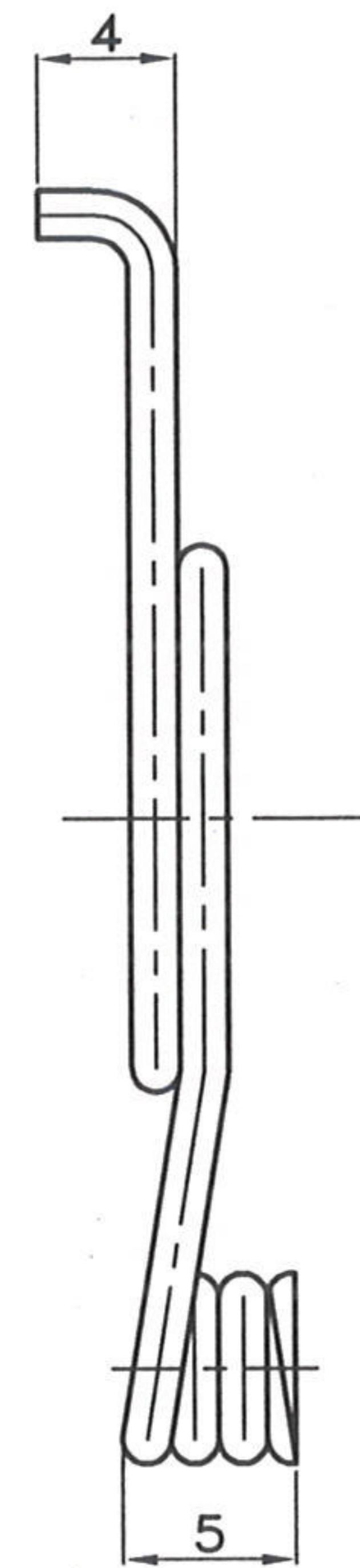
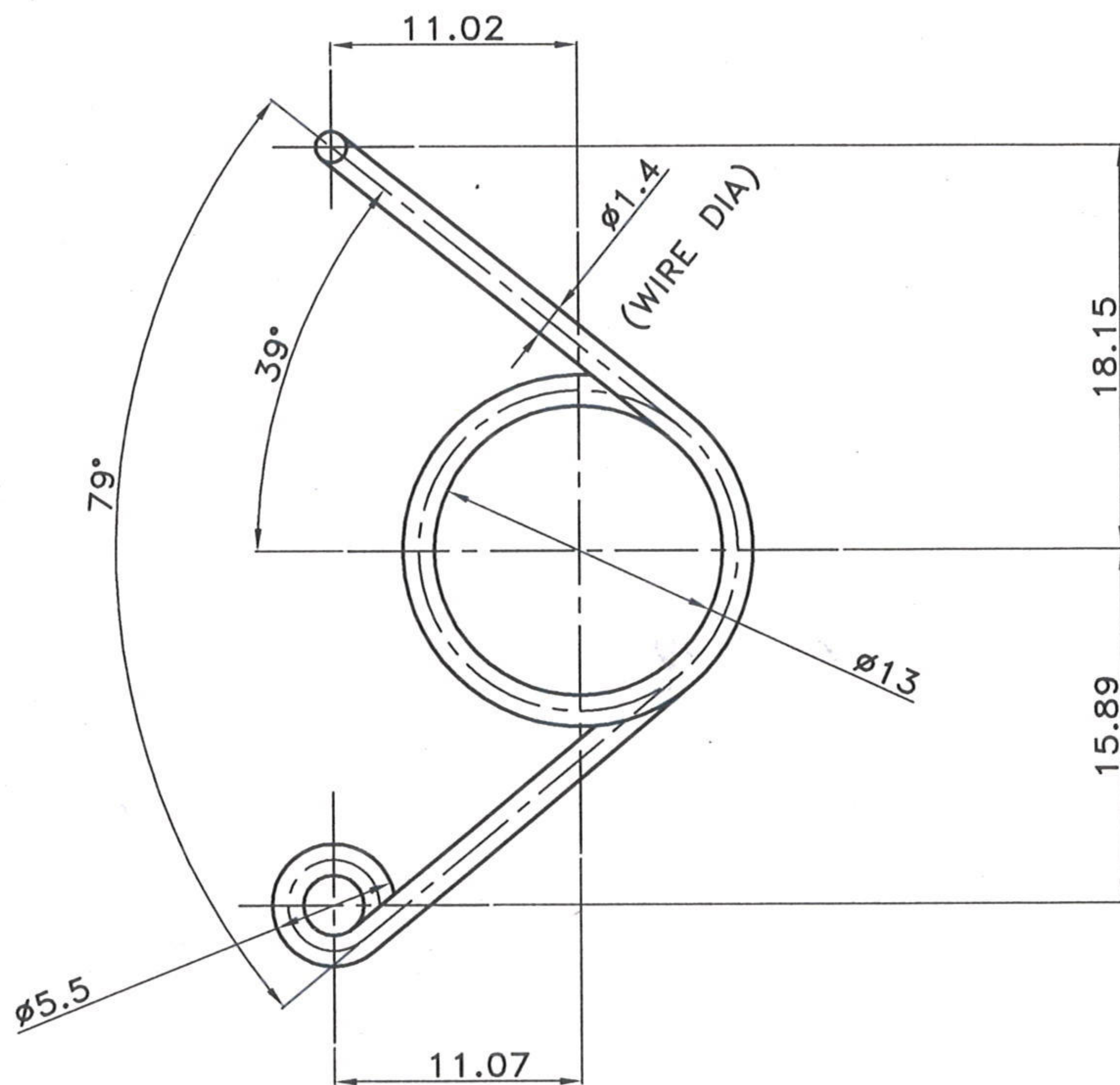
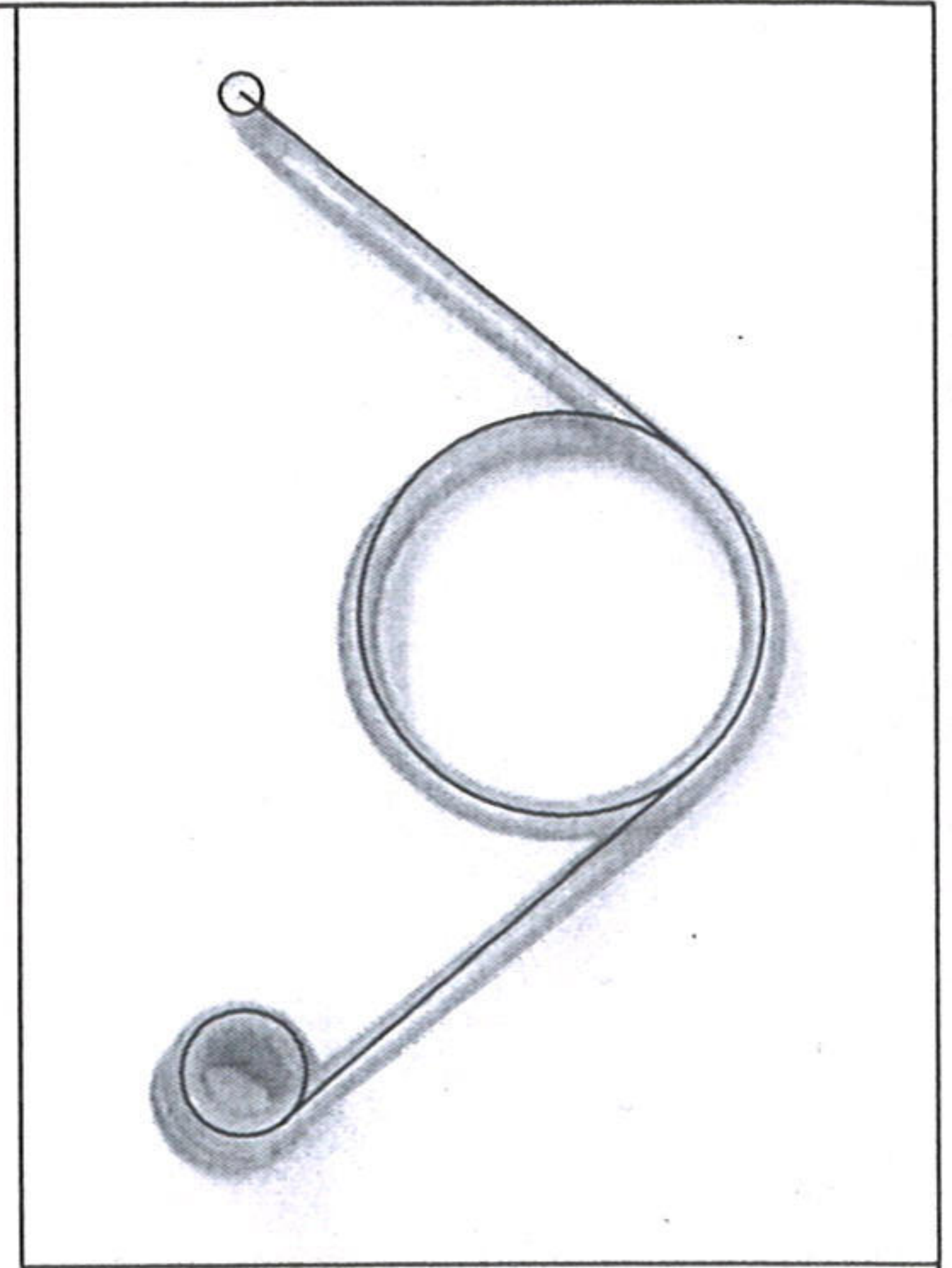


DRG. NO.- CTM-0114

PROVISIONAL



NOTE:- 1) DIAMETER OF WIRE 1.4 mm
 2) OPEN LENGTH OF WIRE 145 mm (APPROX)

MATERIAL-

REF- DGM/ PLNG & MKTNG LETTER NO- 107/PISTOL DEVELOPMENT/DGM/16-17, DT-07/03/2017

		SCHEDULE NO :	COMPT- 0.32" PISTOL	STORE DRG. No.		
		SCALE=	(MODIFIED)			
		PROJECTION :	TORTION SPRING			
		THIRD ANGLE			FOR 0.32" MODIFIED PISTOL	
		DRAWN BY : <i>SB 07/03/17</i>				
		TRACED BY :	DRG. NO. :- CTM-0114			
CHECKED BY : <i>[Signature]</i>						
APPROVED BY : <i>[Signature]</i>						
DT. & SG.	DESCRIP	CONCURRED BY: JWM/Gun C	M / C :	NO. OF SHTS. : 1		
AMENDMENTS	DATE: 07/03/17	SIGN.: <i>[Signature]</i>	G. & S. FY. COSSIPORE	SHT. NO. : 1.		