

MATERIAL:	TREATMENT HARDNESS:
SURFACE FINISH:	PROTECTIVE FINISH:

UN CONTROLLED COPY  
 CERTIFIED CORRECT COPY OF APPROVED  
 DRAWINGS AT THIS DATE 26/4/22  
 DESIGN & DRAWING OFFICE,  
 ORDNANCE FACTORY, TIRUPATI 520 016

270918

व्यापार हेतु  
 FOR TRADE ONLY

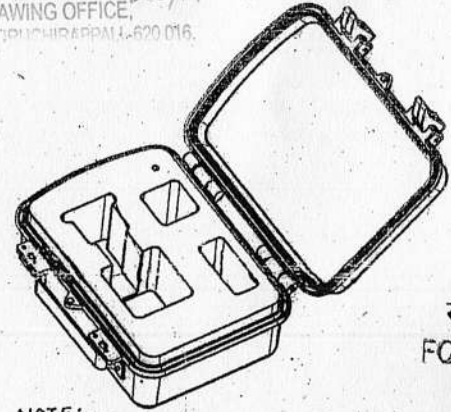
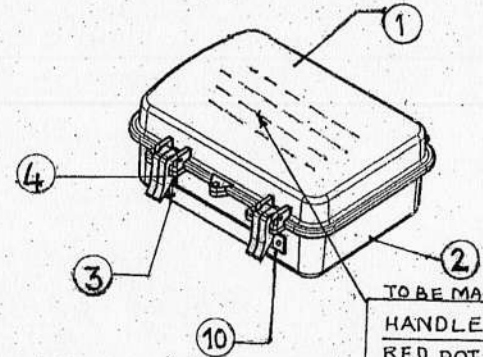
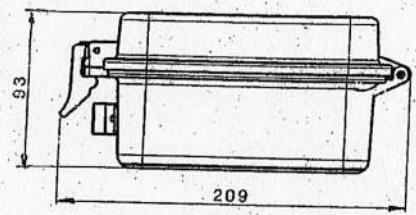
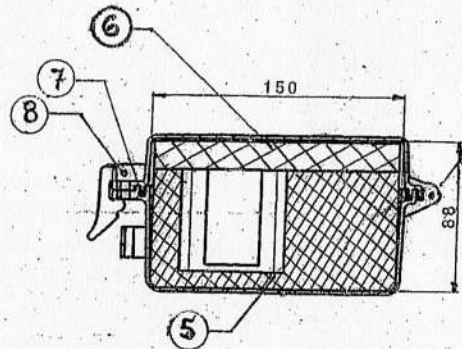
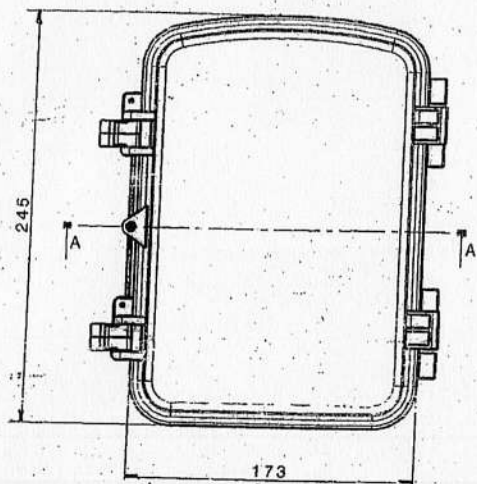
10.	RIVET	02	ST. STEEL IS:6603	-
9.	PIN Ø5X50 (FOR HINGE)	02	ST. STEEL IS:6603	-
8.	PIN Ø3X25 (FOR LOCK)	02	ST. STEEL IS:6603	-
7.	GASKET Ø5X750 mm	01	SYNTHETIC RUBBER	-
6.	TOP FOAM	01	FOAM D=023kg/m <sup>3</sup>	STEEL GRAY COLOUR
5.	BOTTOM FOAM	01	FOAM D=023kg/m <sup>3</sup>	STEEL GRAY COLOUR
4.	PLASTIC LOCK	02	POLY PROPYLINE	OLIVE GREEN COLOUR
3.	NYLON STRAP (HANDLE)	01	NYLON STRAP	BLACK COLOUR
2.	PLASTIC BASE	01	POLY PROPYLINE	OLIVE GREEN COLOUR
1.	PLASTIC COVER	01	POLY PROPYLINE	OLIVE GREEN COLOUR
ITEM	DESCRIPTION	No. OFF	MATERIAL	REMARKS

LIST OF PARTS

COMPT. No.	ASSY. DRG. R.D.S	OPTO ELECTRONICS FACTORY DEHRADUN		
2012	GEN. TOL IS 2102 (PT-1) :1993-m	TITLE	CASE CARRYING FOR RED DOT SIGHT (Z7 /OLF/R&D/RDS/001.07)	
DRAWN JWM	<i>[Signature]</i>	20.11.12	REF. CQAJ LETTER No. 178298/40MM MGL/M OFT/INF dt. 30 Oct. 2012	
CHECKED JWM	<i>[Signature]</i>		DRG.No. OLF/R&D/RDS/001.07	
JWM/HOS	<i>[Signature]</i>			
	NAME	DATE		
D.A.No.	DATE/SIGN	DESCRIPTION		
	DGM/TS	<i>[Signature]</i>	M/Yr.	
AMENDMENTS			APPROVED	
				SCALE: 1:1
		SHTS.02	SHT.No.01	

MATERIAL: POLY PROPYLENE OLIVE GREEN COLOUR	TREATMENT: HARDNESS:
SURFACE FINISH:	PROTECTIVE FINISH

VIEW A-A

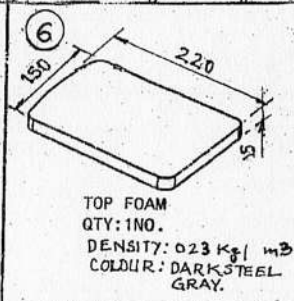
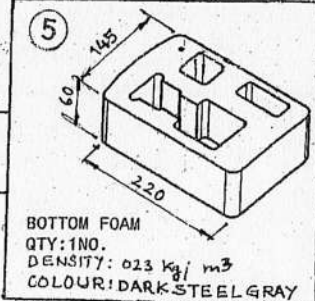


270918  
व्यापार हेतु  
FOR TRADE ONLY

UN CONTROLLED COPY  
CERTIFIED CORRECT COPY OF APPROVED  
DRAWINGS AT THIS DATE: 26/11/2012  
S. Venkatesh  
DESIGN & DRAWING OFFICE  
TIPUCHIRAPPALLI-620 016.

- NOTE:-
1. PILOT SAMPLE SHOULD BE APPROVED BEFORE BULK SUPPLY.
  2. BOX SHALL MEET THE CLIMATIC & DURABILITY TEST SPECIFICATION AS PER JSS: 55555 (AS PER COA (I) ATP No. CGA (I) ATP/144 ATTACHED) (i)
  3. WEIGHT OF BOX (COMPLETE) 525 gm ± 50 gm (ii)

TO BE MARKED ON:  
HANDLE WITH CARE  
RED DOT SIGHT  
CAT PART No. 27/OLF/R&D/RDS/001  
REGD. No. ....



④

PLASTIC LOCK  
QTY: 2NOS.

③

NYLON STRAP (HANDLE)  
QTY: 1NO.  
SIZE: 240 X 25 X 2mm THICK

②

PLASTIC BASE  
QTY: 1NO.

①

PLASTIC COVER  
QTY: 1NO.

ITEM	DESCRIPTION	No. OFF	MATERIAL	REMARKS
LIST OF PARTS				
COMPT.	ASSY. DRG.	OPTO ELECTRONICS FACTORY DEHRADUN		
2012	GEN. TOL. IS: 200	TITLE CASE CARRYING		
DRN.		FOR RED DOT SIGHT		
CHD.	22/5 30/6	REF. (27/OLF/R&D/RDS/001.07)		
JWM	Jmy 31/4	M4		
DRG. No	OLF/R&D/RDS/001.07	DATE 21/11/12		
AMENDMENTS				
DA.No.	DATE/SIG.	DESCRIPTION	APPROVED	
			SCALE N: T.S.	
			SHTS 02 SH No. 02	