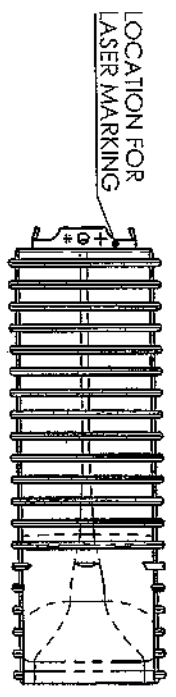


MARKING:-
 MANUFACTURER CODE
 BATCH/YEAR OF MANUFACTURE
 ENGRAVING DEPTH 0.3mm & HEIGHT 3mm
 (Marking may be done either by Engraving or by Laser on the Location mentioned.)



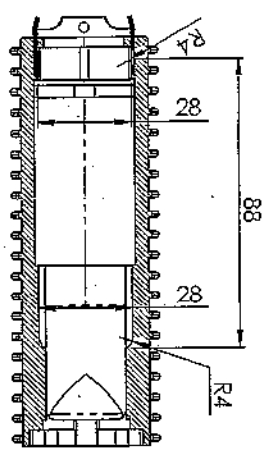
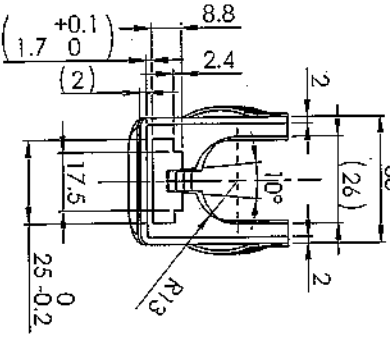
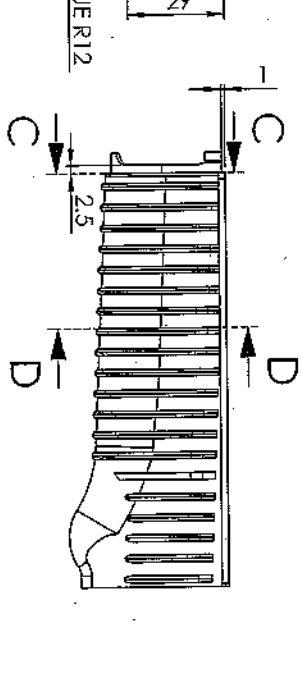
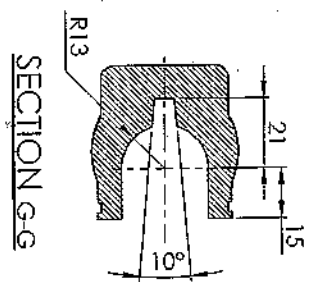
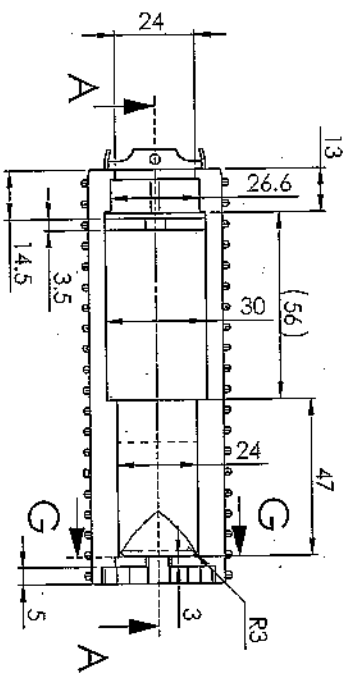
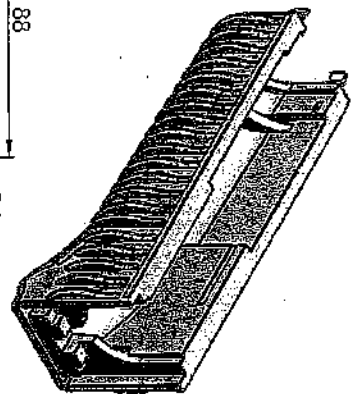
SECTION A-A

ITEM NO.	PART NUMBER	QTY.
1	KC3 - 2041 Lower Hand Guard	1
2	KC3 - 2042 Reflector	1

IN CONTROLLED COPY
 CERTIFIED CORRECT COPY OF APPROVED
 DRAWINGS AT THIS DATE: 18/07/22
 DESIGN & DRAWING OFFICE,
 ORDNANCE FACTORY TIRUCHIRAPPALLI-629 016

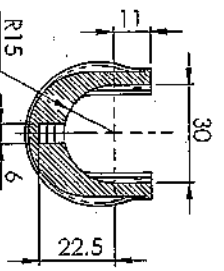
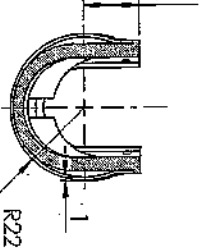
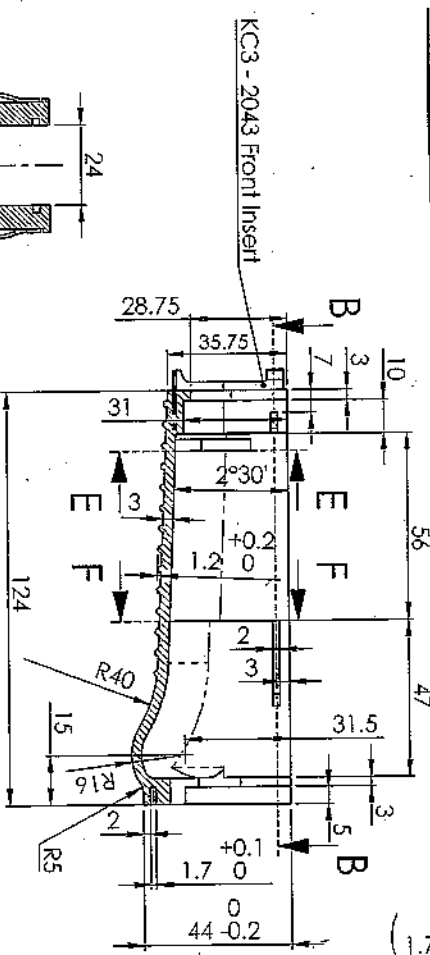
Material:		3rd Angle	DWG Details	SIGN	DATE
Alt. Material:		DRAWN	<i>USL</i>		
Hardness:		CHECKED			
Finish:		HOS/D&DO	<i>P. J. K.</i>		
		DO/Prodn			
		DO/QC			
		DO/DDO	<i>G. K.</i>		
Un tolerated dimensions	IS:2102 Medium	APPROVED ON :	10/05/2022		

SUB:	Lower Hand Guard Assy	FOR:	General Assy	Do not scale Drawing
PROJ.:	TnCd	Design Ref		All Dimensions are in mm
DWG. No.:	KC3 - 2040		A4	QPG -
ORDNANCE FACTORY TIRUCHIRAPPALLI-16.		WT. (Appx)		SHEET: 1 OF 1



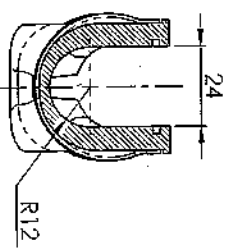
SECTION C-C

SECTION B-B



SECTION D-D

SECTION E-E



SECTION F-F

KC3 - 2043 Front Insert

SECTION A-A

UN CONTROLLED COPY

CERTIFIED CORRECT COPY OF APPROVED DRAWINGS AT THIS DATE: 18/07/22

DESIGN & DRAWING OFFICE:

ORDNANCE FACTORY TRUCHIRAPPALLI-16.

Material: 30% Glass fibre reinforced Polyamide Nylon - 66		Alt. Material:		DWG Details		sub: Lower Hand Guard	
Hardness: Melting Point Not less than 200°C		Finish: Black Matt Finish		Untoleranced dimensions IS:2102 Medium		FOR: Lower Hand Guard Assy	
3rd Angle		CHECKED		SIGN		PROJ: TRCA	
DRAWN		H05/DR00		DATE:		Design Ref	
DO/Prdn		DO/Prdn		APPROVED ON: 09/05/2022		DWG. No.: KC3 - 2041	
DO/DC		DO/DC				A3	
DO/DDO		DO/DDO				QPG -	
						WT.	
						SHEET: 1 OF 1	

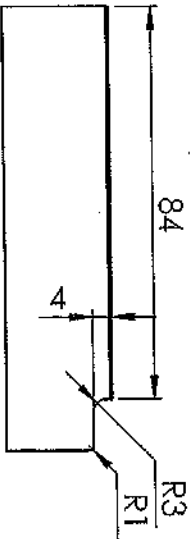
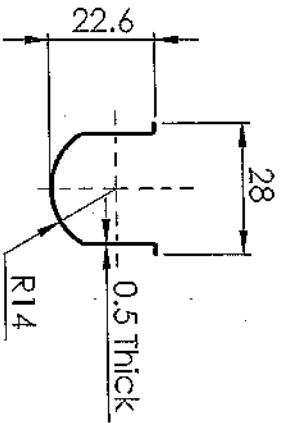
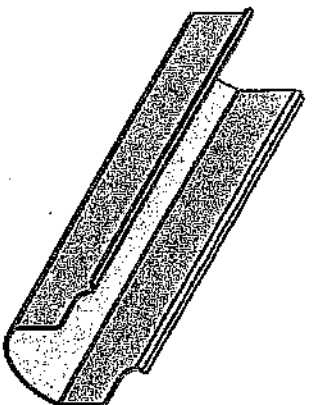
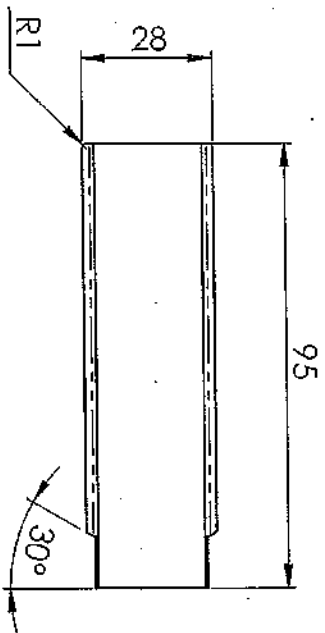


All Dimensions are in mm

Do not scale Drawing

WT. (Appd)

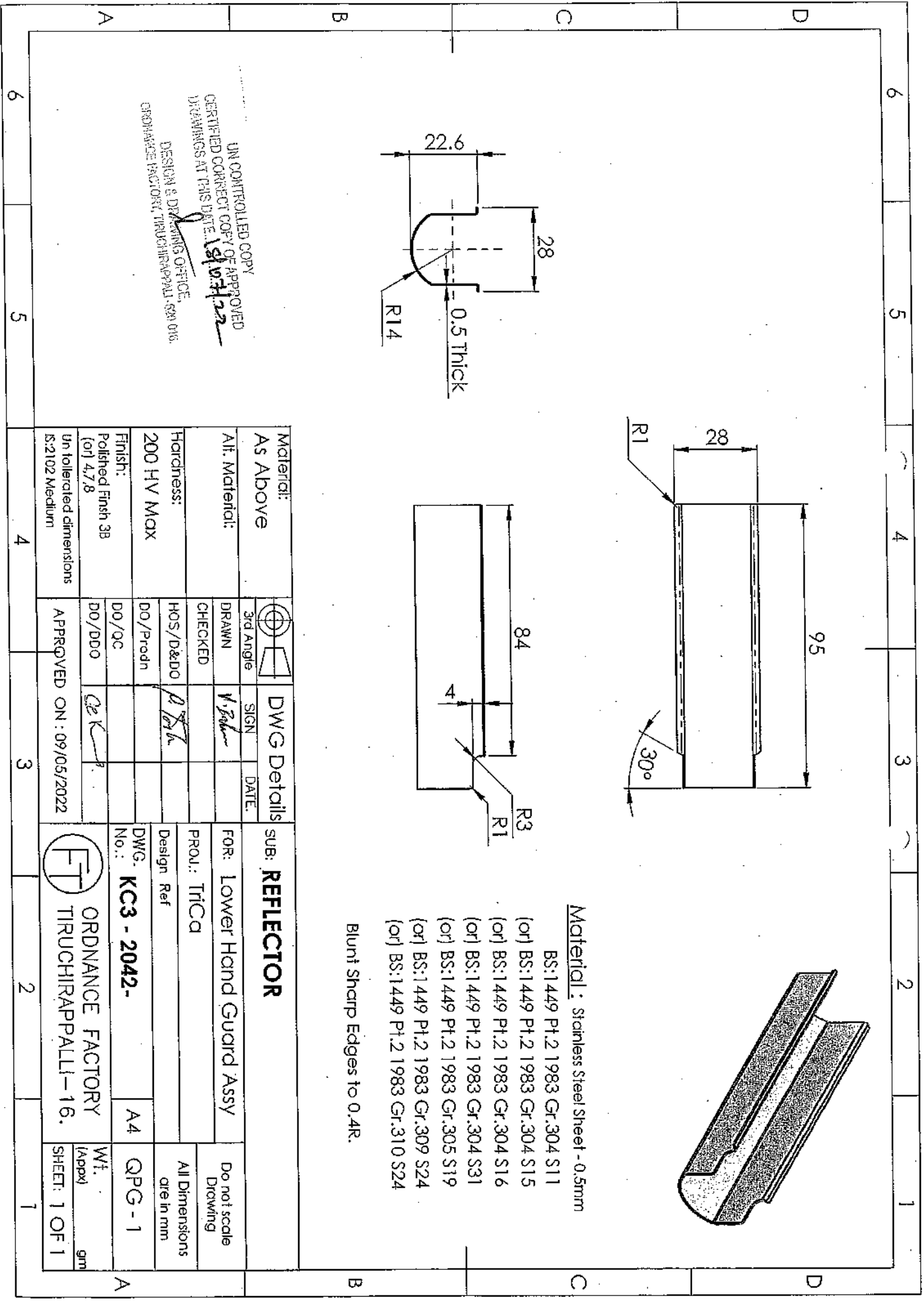
gms

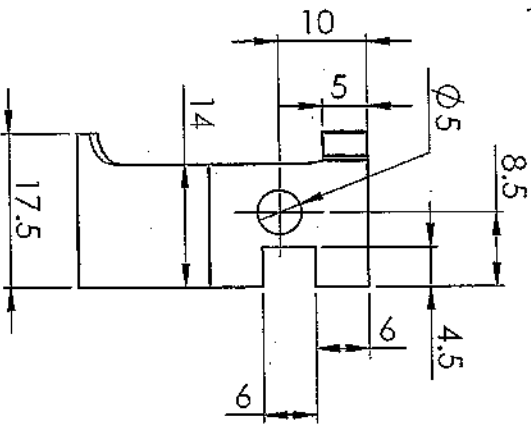
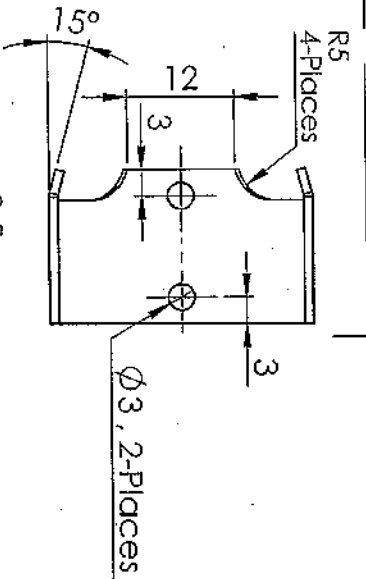
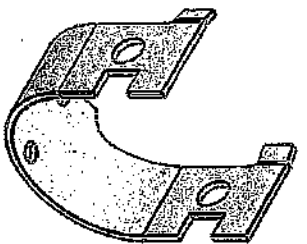


Material : Stainless Steel Sheet - 0.5mm
 BS:1449 Pt.2 1983 Gr.304 S11
 (or) BS:1449 Pt.2 1983 Gr.304 S15
 (or) BS:1449 Pt.2 1983 Gr.304 S16
 (or) BS:1449 Pt.2 1983 Gr.304 S31
 (or) BS:1449 Pt.2 1983 Gr.305 S19
 (or) BS:1449 Pt.2 1983 Gr.309 S24
 (or) BS:1449 Pt.2 1983 Gr.310 S24
 Blunt Sharp Edges to 0.4R.

UN CONTROLLED COPY
 CERTIFIED CORRECT COPY OF APPROVED
 DRAWINGS AT THIS DATE: 18/10/22
 DESIGN & DRAWINGS OFFICE,
 ORDNANCE FACTORY, TIRUCHIRAPPALLI-690 016.

Material: As Above	3rd Angle	DWG Details	
		SIGN	DATE
Alt. Material:	DRAWN	<i>V. Sub</i>	
Hardness:	CHECKED		
200 HV MAX	HOS/D&DO	<i>P. Sub</i>	
Finish: Polished Finish 3B (or) 4,7,8	DO/Prodn		
Un tolerated dimensions IS:2102 Medium	DO/QC		
	DO/DDO	<i>Ge K</i>	
APPROVED ON : 09/10/2022			
SUB: REFLECTOR		FOR: Lower Hand Guard Assy	
PROJ: TrCd		Design Ref	
DWG. No.: KC3 - 2042-		A4	
ORDNANCE FACTORY TIRUCHIRAPPALLI-16.		All Dimensions are in mm	
Wt. (Appx) gm		Do not scale Drawing	
SHEET: 1 OF 1			





- Material:** Sheet - 1.0mm
- BS:1449 Pt.1 1983 Gr.CS40 Sec-4
 - (or) BS:1449 Pt.1 1983 Gr.CS50 Sec-4
 - (or) BS:1449 Pt.1 1983 Gr.CS60 Sec-4
 - (or) BS:1449 Pt.1 1983 Gr.CS70 Sec-4
 - (or) BS:1449 Pt.1 1983 Gr.CS80 Sec-4

Blunt Sharp Edges to 0.4R.

UN CONTROLLED COPY
 CERTIFIED CORRECT COPY OF APPROVED
 DRAWINGS AT THIS DATE: 19/05/2022
 DESIGN & DRAWING OFFICE,
 ORDNANCE FACTORY, TRIRUCHIRAPPALLI-16.

Material: As Above	3rd Angle	DWG Details	
		SIGN	DATE
Alt. Material:	DRAWN	WBL	
Hardness: 300-375 HV	CHECKED		
Finish: Phosphating to JSS:0465-01-1994, Class-II Oil finish	HOS/D&DO	P. J. K.	
	DO/Prodn		
Un tolerated dimensions IS:2102 Medium	DO/QC		
	DO/DDO	Ge K.	
	APPROVED ON :	09/05/2022	
sub: FRONT INSERT		FOR: LOWER HAND GUARD	Do not scale Drawing
PROJ.: TriCo		Design Ref	All Dimensions are in mm
DWG. No.:	KC3 - 2043-	A4	Wt. QPG - 1
ORDNANCE FACTORY TRIRUCHIRAPPALLI-16.			(Apx) gm
			SHEET: 1 OF 1

