

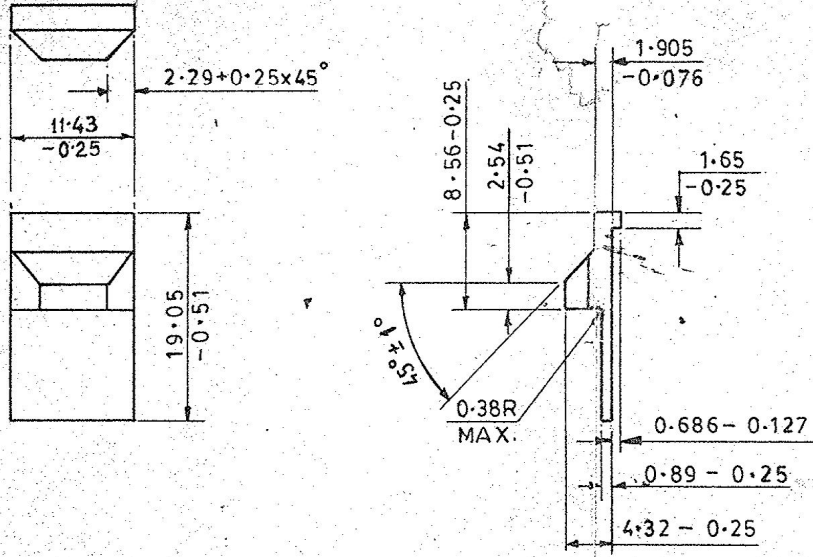
1005-001743
D.S.CAT

CERTIFIED CORRECT COPY
OF APPROVED DRAWINGS
AT THIS DATE.....

08.12.2020

Design & Drawing Office
Ordnance Factory,
Tiruchirappalli-620016

UN CONTROLLED COPY



FOR EXPLANATION SEE D.D. NOTE SHEET NO.3
DIMNS. ARE IN m.m.

NOTE :-

WHERE TOLERANCES ARE NOT SHOWN
DIMENSIONS IN WHOLE NUMBER OR WITH
ONE DECIMAL PLACE ±1.27 mm.
DIMENSIONS WITH TWO DECIMAL PLACES
±0.127 mm.

FOR SPECN. LATEST ISSUE SHOULD BE
FOLLOWED.

EDGES BROKEN 0.25 ± 0.25.

CERTIFIED COPY OF THE SIGNATURE
DATE: 28/10/99

ICR1505

METRIC

DRN.		CHD.	TRD. <i>SK</i>	COMP. <i>M. Sankar</i>	AHSP CQA(SA) ICHAPUR
SCALE :- 2 : 1		EST. MASS		ASSY. 1005-001740	
DT. 27-8-99		APPROVED DT. 19.6.67 NEG. RE-TRACED			
MATERIAL :-		BS:970 PT.3:1991 Gr.080 M40 CONDITION 'Q' OR IS:5517-1993 DES.40 C8 (WITH MECHANICAL PROPERTIES UNDER RULING SECTION 63 mm)		DGNR'S CISA 17 REF.	
H.T/HARDNESS :-		SIGN.		PART NO.	
PROTECTIVE FINISH :-		ON ASSEMBLY 1005-001740 OR 1005-000343		DRG. NO.	
D.D. NO. 14332-SA, DT. 27.6.75		SIGN.		D.S.CAT. 1005-001743 No.	
NOMENCLATURE		LOCATING PIECE		2A	